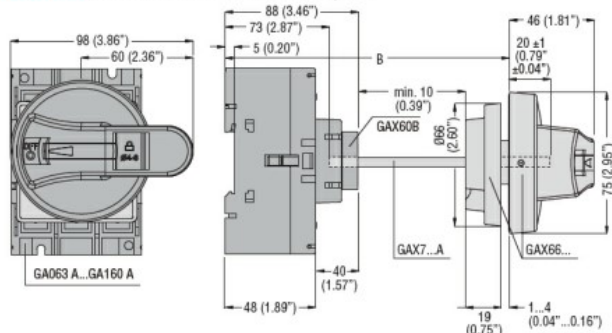


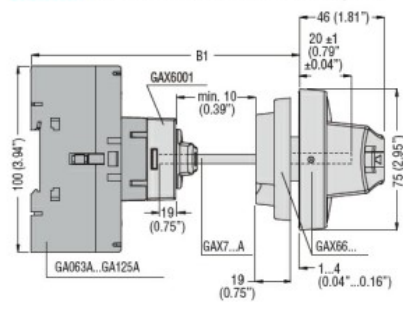


Wymiary

GAX7...A used with GAX60 B and GAX66/66B



GAX7...A used with GAX60 01 and GAX66/66B



| Extension | Length [mm(in)] | B | |
|-----------|--------------------|-------------------------------|-------------------------------|
| | | with GAX66/66B handle | |
| | | [mm(in)] | [mm(in)] |
| GAX7150A | 176 (6.93") | 118...229 (4.64"...9.01") | 119...205 (4.68"...8.07") |
| GAX7200A | 225 (8.90") | 118...279 (4.64"...10.99") | 119...255 (4.68"...10.03") |
| GAX7300A | 326 (12.83") | 118...379 (4.64"...14.92") | 119...355 (4.68"...13.98") |

Certyfikaty i zgodność

Zgodność

CSA C22.2

IEC/EN 60947-1

IEC/EN 60947-3

UL508

UL98

Certyfikaty

CCC

cULus according to UL98 / CSA C22.2 n°4

EAC

Klasyfikacja ETIM

ETIM 8,0

EC002498 -
Akcesoria/części
zamiennie do
aparatury
niskonapięciowej