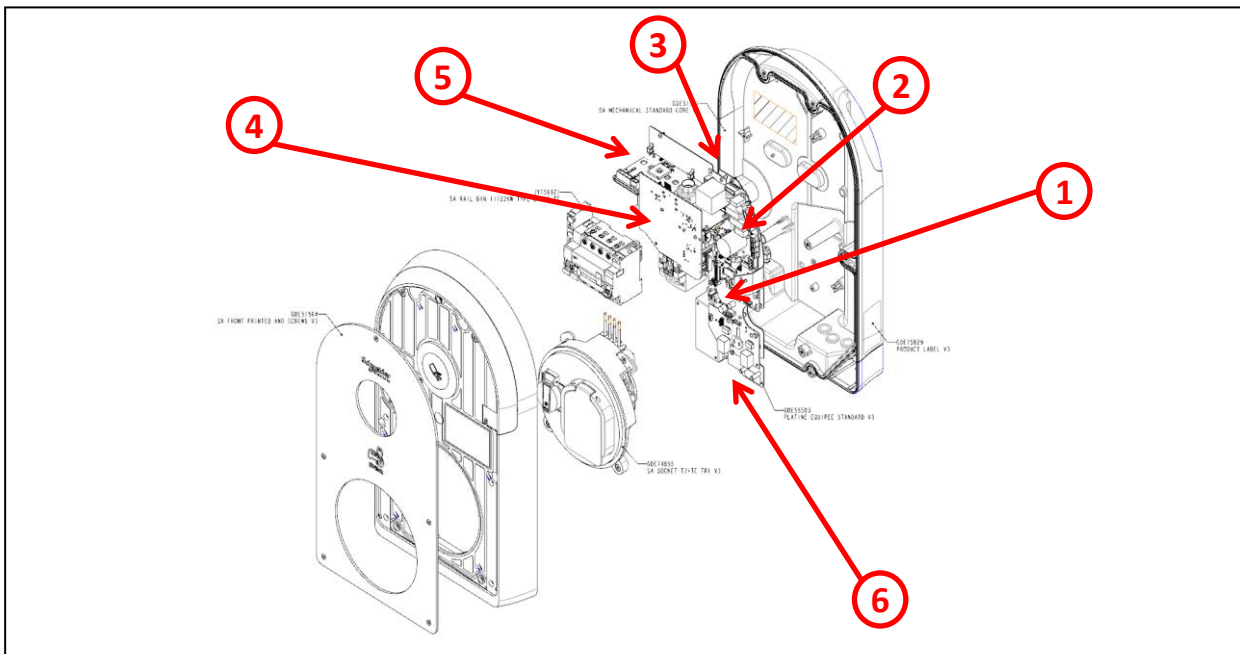


Product End of Life Instructions

EVlink ProAC 7.4kwT2STE6mARCDAsiMNXMID



End of Life Instructions



Recommendation	Number on drawing	Component / Material	Weight (in g)	Comment
To be depolluted	1	Electronic Board (Communication) > 10cm ²	26g	PCBA(JYT19210)
To be depolluted	2	Electronic Board (Power) > 10cm ²	325.28g	PCBA(MFR67543), including electrolyte capacitors
To be depolluted	3	Electrolyte capacitors which size: height > 25 mm, diameter > 25 mm or proportionately similar volume	25g	Aluminum electrolyte capacitors
To be depolluted	4	Electronic Board (Communication) > 10cm ²	76.85g	PCBA(MFR71605)
To be depolluted	5	Electronic Board (Power) > 10cm ²	127.22g	PCBA(MFR78468)
To be depolluted	6	Other battery	2.5g	Coin-type Lithium Battery

Product description

Manufacturer identification	Schneider Electric Industries SAS
Brand name	Schneider Electric
Product function	Electric Vehicle link Pro AC Charging station is designed to enable highly reliable, flexible and sustainable smart charging for multi dwelling housing and buildings. It ensures a seamless user experience for EV installers, operators and drivers The estimated full charging time of an electric vehicle is 6h30 for AC charging station for 10 years.
Product reference	EVB3S07N4EAM
Total representative product mass	7194 g
Representative product dimensions	530mm x 317mm x 152mm
Accessories	Pedestal, Cable locker, TIC communication card, Metal kit
Date of information release	05/2022



Additional information

Legal information	This product family is in the scope of European Union directive 2012/19/EU on Waste Electrical and Electronic Equipment (WEEE). The product family must be disposed according to the legislation of the country. This document is intended for use by end of life recyclers or treatment facilities. It provides the basic information to assure an appropriate end of life treatment for the components and materials of the product.	
In case of special transportation: transportation method	No	
Recyclability potential	76%	Based on "ECO'DEEE recyclability and recoverability calculation method" (version V1, 20 Sep. 2008 presented to the French Agency for Environment and Energy Management: ADEME).

Schneider Electric Industries SAS

Country Customer Care Center
<http://www.schneider-electric.com/contact>

35, rue Joseph Monier
CS 30323
F- 92506 Rueil Malmaison Cedex
RCS Nanterre 954 503 439
Capital social 896 313 776 €

www.schneider-electric.com

ENVEOLI2202024

Published by Schneider Electric

© 2019 - Schneider Electric – All rights reserved

05/2022