

# 4-WIRE RS-485 COMMUNICATION OPTION MODULE

## End of Life Instructions

ENVEOLI2110011\_V1

12/2021



## Introduction

### Purpose

This equipment must be disposed according to the legislation of the country where it is situated. This document provides the basic information to assure an appropriate end of life treatment for the components and materials of the product.

### Scope

The document provides the user with the basic information needed to dismantle the product in the recycling plant.

It indicates, for the various parts of the product, the recommendations according to the recycling criteria (potential hazards, to be depolluted, to be dismantled).

This product family is in the scope of European Union directive 2012/19/EU on Waste Electrical and Electronic Equipment (WEEE).

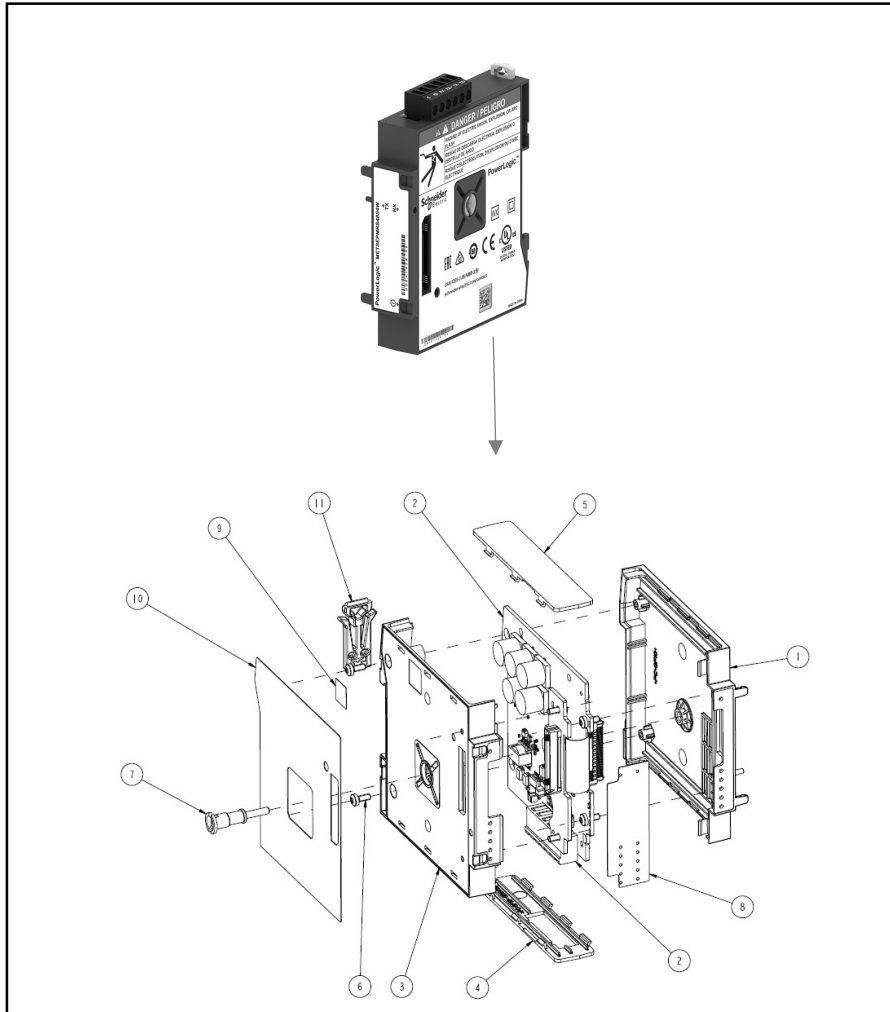
## Product description

Manufacturer identification	Schneider Electric Industries SAS
Brand name	Schneider Electric
Product function	4-Wire RS-485 Module adds 4-wire RS485 communication capability to the meter, eliminating the cost and effort of rewiring/replacing/retrofitting legacy 4-Wire RS-485 systems.
Product reference	METSEPMRS4854W
Additional similar product references	METSEPMFIBER
Total representative product mass	160.60 g
Representative product dimensions	H x L x D = 90.5mm x 90.5mm x 22mm
Accessories	none
Date of information release	12/2021

## Additional information

In case of special transportation: transportation method	none
Recyclability potential	11%

## Operations recommended for the end of life treatment



Recommendation	Nbr on Drawing	Component / Material	Weight (in g)	Comment
Potential hazards		NA		
To be depolluted	2	PCBA's including Capacitors, IC's, Resistors, Connectors etc.,	63.95	
To be dismantled	1,3,4,5,6,7, 8,9,10,11	Enclosures with accessories	49.85	
Other		NA		

**Schneider Electric**

35 rue Joseph Monier  
92500 Rueil Malmaison – France  
Phone: +33 (0) 1 41 29 70 00  
[www.schneider-electric.com](http://www.schneider-electric.com)

As standards, specifications, and designs change from time to time, please ask for confirmation of the information given in this publication.

© 2014-2017 Schneider Electric. All rights reserved.

ENVEOLI2110011\_V1



This document has been printed on recycled paper