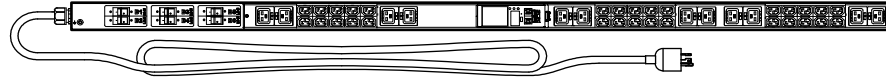


NetShelter™ Rack PDU Advanced Installation & Quick Start



Important Information

The NetShelter Rack PDU Advanced is suitable for installation in information Technology Rooms in accordance with Article 645 of the National Electric Code and NFPA 75.

For more information about APC products, go to www.apc.com.

Refer to the *APDU10150SM User Guide* for detailed information on installation and operation of the Rack PDU at www.apc.com.

Warranty information is available at www.apc.com.

You can register your product online at www.apc.com.

NOTE: For important safety information, refer to the *Safety Sheet* included with your NetShelter Rack PDU Advanced.

NOTICE

- Ensure the Rack PDU is mounted securely and evenly.
- The ambient operating temperature of a closed or multi-unit rack environment may be greater than the ambient temperature of the room. Ensure the ambient operating temperature of your rack environment does not exceed the rated ambient operating temperature for the Rack PDU.

Receiving and Unpacking

Inspect the equipment

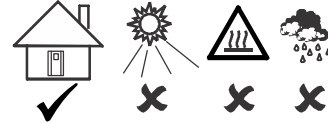


Carefully inspect the exterior of the shipment immediately upon receipt. If you detect shipping damage, contact your shipping company and APC Customer Support at www.apc.com.



The shipping materials are recyclable. Save them for later use, or dispose of them appropriately.

Storage



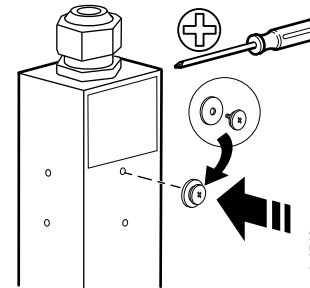
NOTICE

Leaving the equipment uncovered and exposed to the elements will cause damage and void the factory warranty.

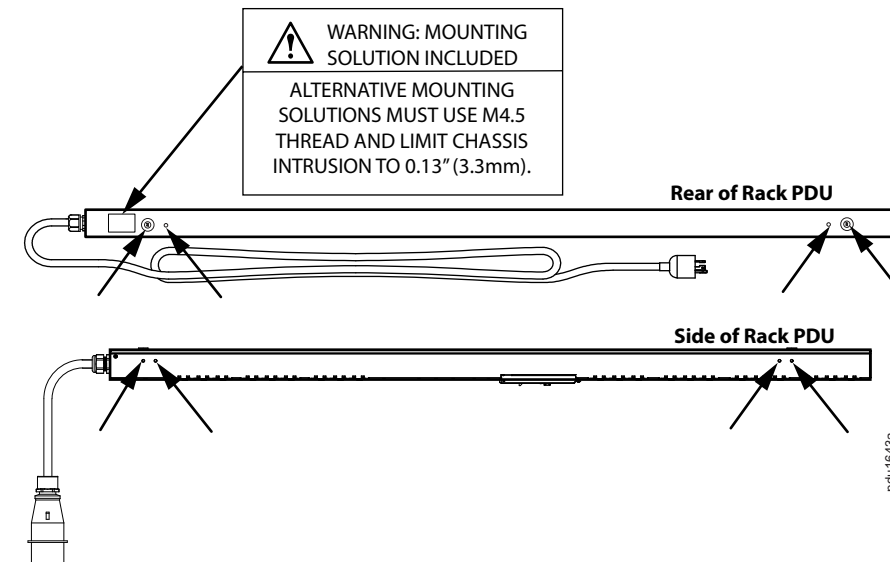
Installation

The NetShelter Rack PDU Advanced can be installed to the vertical accessory channel of a NetShelter rack using the mounting pegs (provided). The pegs will work in most rack enclosure designs. The Rack PDU can be mounted using mounting brackets. A Phillips head screwdriver (not provided) is needed to install the mounting brackets.

Install the mounting pegs to the back or side of the Rack PDU. The mounting pegs consists of a screw and washer. Use a Phillips head screwdriver to install the mounting pegs.

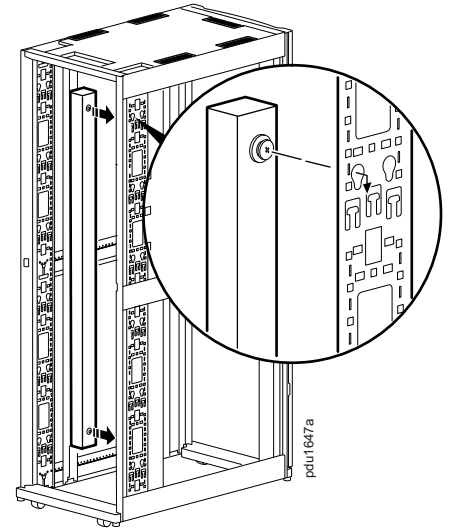


There are multiple mounting points for attaching the pegs on the back and on the side. Choose the mounting location for the pegs according to your needs.



Two (2) Rack PDUs can be installed on one (1) vertical accessory channel in a NetShelter rack.

NOTE: The distance between mounting pegs varies depending on the Rack PDU model. The distance between mounting pegs for a full length Rack PDU is 1555 mm, mid-length is 1244 mm, and half-length is 622 mm.



5/2023

990-91559A-001

© 2023 Schneider Electric. All rights reserved.

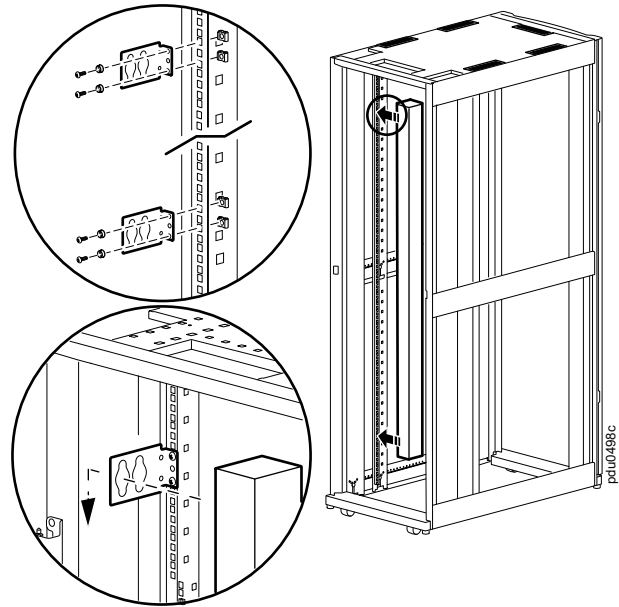
Customer support and warranty information is available at www.apc.com

Worldwide Customer Support

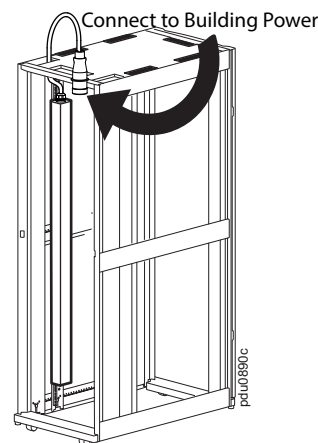
To mount the Rack PDU on the vertical rails of a standard EIA-310 enclosure, secure brackets to the back of the rear vertical rails using the hardware included with your enclosure.

To mount the Rack PDU on the vertical rails of a third party enclosure, secure brackets to the vertical rails using hardware included with your enclosure.

A Phillips head screwdriver (not provided) is required to install the brackets.



Route the power cable out of the rack and connect it to an appropriately rated branch circuit of your power source. The Rack PDU should be connected to a dedicated branch circuit protected by an appropriately sized circuit breaker. Turn the power feed circuit breaker on only after connection to the Rack PDU is complete.



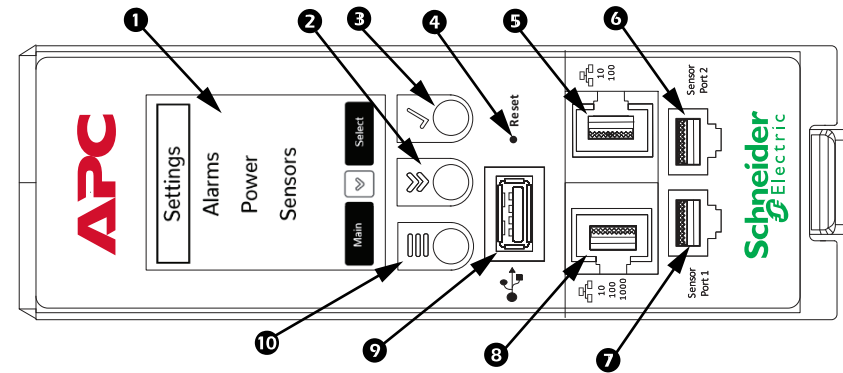
When power is applied, a loading status bar will appear on the display screen while the PDU is powering up. When startup is complete, the Main Menu will appear on the display screen.

Quick Start Instructions

NOTE: See the *NetShelter Rack PDU Advanced User Guide* available online at www.apc.com for detailed instructions on configuring your settings.

NOTE: For security reasons, the username and password must be changed immediately after the first login.

The Display



Item	Description	Function
1	Display screen	Shows information about the Rack PDU.
2	Main Menu button	Shows the Main Menu.
3	Scroll button	Moves the highlight bar down the menu list until you reach the desired menu item.
4	Select button	With a menu item highlighted, press the Select button to display Rack PDU information.
5	Reset button	Resets the network management interface without affecting the outlets of the Rack PDU.
6	10/100 Network port	Redundant Ethernet and Cascading with DC Power Share. Connects the Rack PDU to the network using a Cat5e network cable.
7	Sensor port 2	Port for connecting an optional sensor. Also for use as Series connection port.
8	Sensor port 1	Port for connecting an optional sensor.
9	10/100/1000 Network port	Gigabit Ethernet port. Connects the Rack PDU to another Rack PDU in a cascading group using a Cat5e network cable.
10	USB port	For use with a flash drive for firmware upgrades. Can also be used to download log files to a flash drive.

Connect to the Network

The NetShelter Advanced Rack PDU is DHCP compatible.

1. Connect an Ethernet cable to the Ethernet port on the Rack PDU. (See 5 in the illustration above.)
2. Connect the other end of the cable to your LAN.
3. You can tell the network connection is successful when the Ethernet port on the Rack PDU shows a solid green light on the left and a flashing yellow light on the right.
4. Look for the IP address on the display screen of the Rack PDU, using the menu buttons to navigate to: **Setup>Network>IPv4** or **IPv6**, as applicable.
5. Open a Web browser on your computer. Enter the IP address of your Rack PDU.

The Web Interface Login Page for the Rack PDU will open. You will need to log in. The default username is **admin**. The default password is **12345678**.

Using a Static IP Address

1. Connect an Ethernet cable to the Ethernet port on the Rack PDU. (See 5 in the illustration to the left, in the center column of this page.)

2. Connect the other end of the Ethernet cable directly to your computer.

NOTE: A cross-over cable is not required.

3. You can tell the network connection is successful when the Ethernet port on the Rack PDU shows a solid green light on the left and a flashing yellow light on the right.

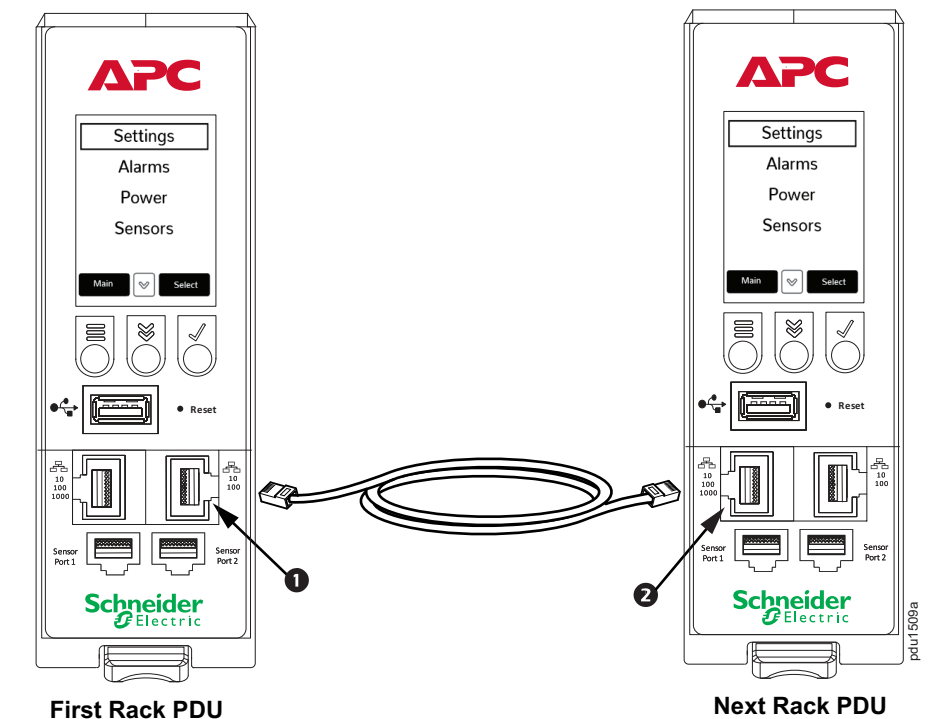
NOTE: If no DHCP service is found, the Rack PDU will revert to a static IP address of **192.168.0.1**.

4. Assign the Ethernet port of your computer an IP address in the **192.168.0.2** to **254** range. **NOTE:** Do NOT assign **192.168.0.0** to your computer.

5. Open a Web browser and enter the URL <http://192.168.0.1> to access the Web Interface. You will be asked to log in. The default username is **admin**. The default password is **12345678**.

NOTE: Configuring the Rack PDU with a static IP address overrides the default IP address.

Connecting Multiple Rack PDUs



Up to 32 Rack PDUs of the same SKU can be connected using a single IP address. The Rack PDUs are cascaded from the first Rack PDU to the next.

To connect multiple Rack PDUs:

1. Configure the Rack PDU that will be first in the group of Rack PDUs.
2. When the initial Rack PDU is configured, connect an Ethernet cable from the 10/100 port 1 on the configured Rack PDU to the 10/100/1000 port 2 on the next Rack PDU to be added.
3. Repeat the previous step to connect more Rack PDUs.

NOTE: The length of the Ethernet cables connecting the Rack PDUs must be less than 6m (20 ft).