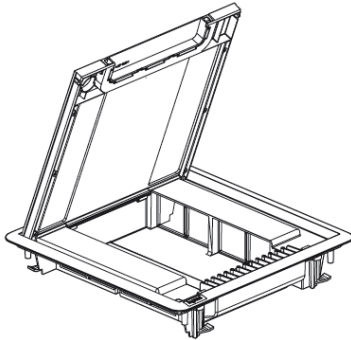


Floor boxes with height reduced to 50mm

Number(s) : 0 880 70/71/72/73



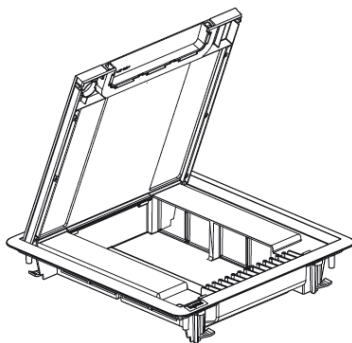
CONTENTS	PAGES
1.Range	1
2.Fixing	2 to 3
3.Backboxes	4 to 5
4.Technical characteristics	6 to 7
5.Material characteristics	7

1 RANGE.

Floor boxes allow :

- Energy and data supply for working stations trough the ground
 - The use of various types of coatings like carpet or vinyl up to 3mm high.
- They also bring ideal solution for concrete floor or technical floor for renovation.

Floor boxes with height reduced to 50mm ref 0 880 70



For technical space $\geq 50\text{mm}$

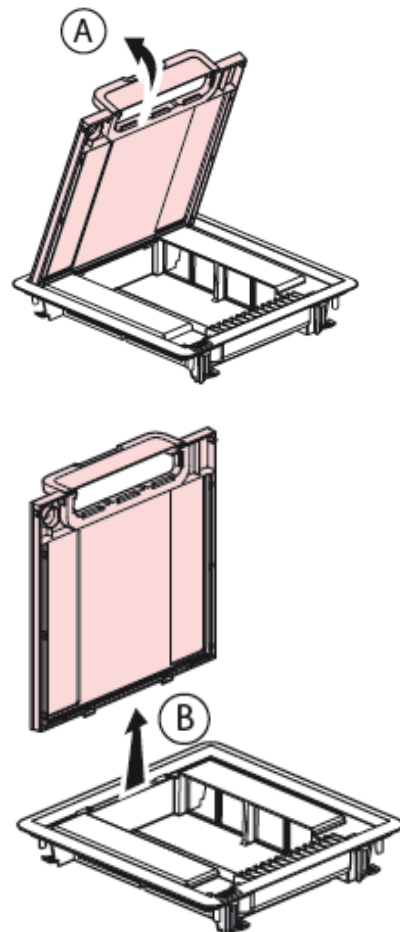
For renovation of technical floor (or concrete floor) with low depth

- To be equipped with 16 Mosaic modules wiring accessories
- Delivered with movable cover with small recess for carpet or vinyl.
- Easy opening by large handle.
- Certified to CEI 60670-23
- Grey colours RAL 7031
- For vertical positioning of wiring accessories
- They ensure perfect cable separation.

1 RANGE (continued)

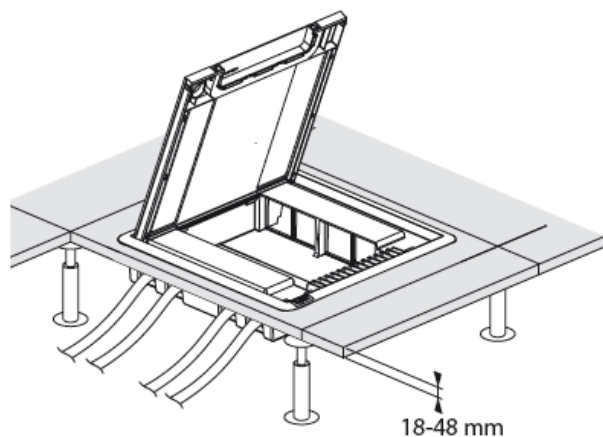
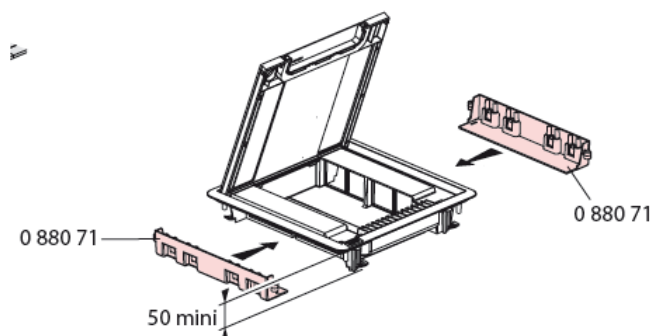
Cover repositioning :

Cover can be removed for an easy installation of socket.

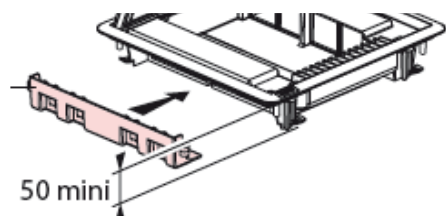


2 FIXING.

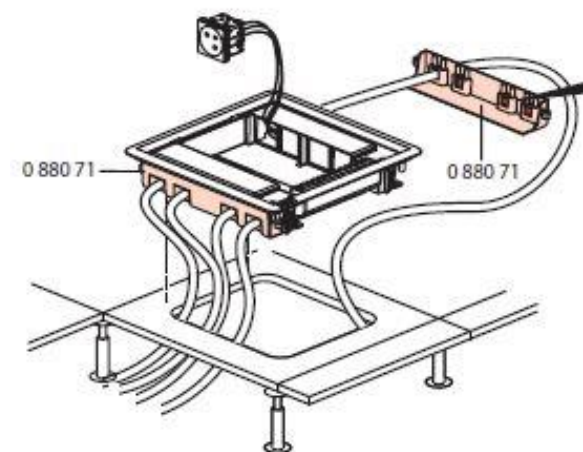
Into technical floor :



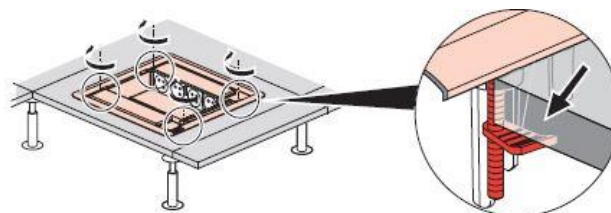
Minimum height required is 50mm.



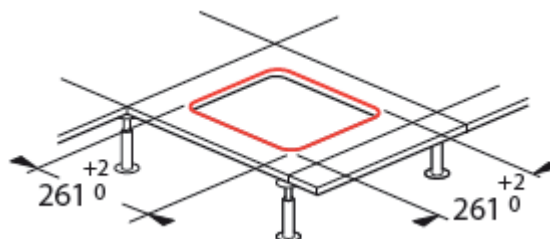
Install the insulation boxes ref 0 880 71:



2 FIXING (continued)



Technical floor is cut out according to dimensions below :



Dimension of the cover on the floor = 283x283mm

Wiring accessories supports can be equipped with :

2 modules Mosaic sockets :

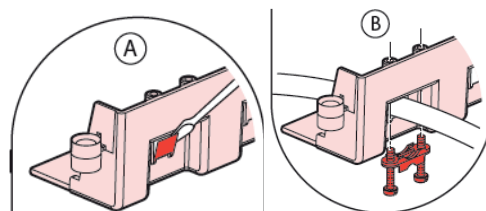


Be careful when positioning sockets in their supports.
(earth pin on top = side outlet plugs can't be used)

RJ 45 sockets in 1 or 2 modules:

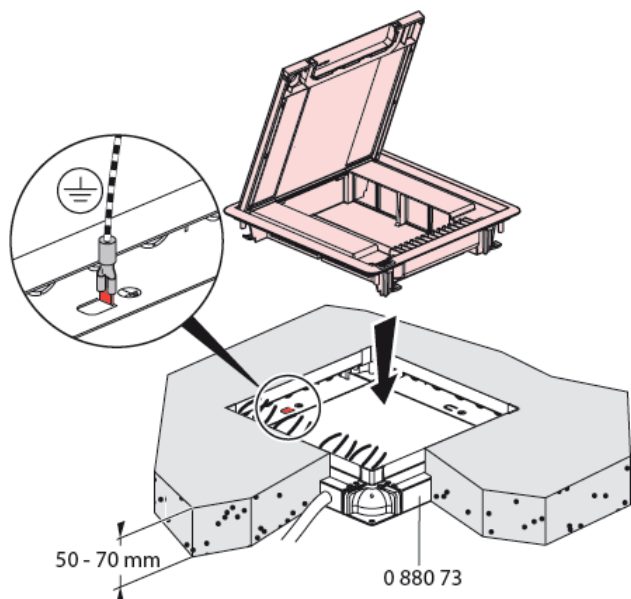


Cable retainer function can be used only with cables :

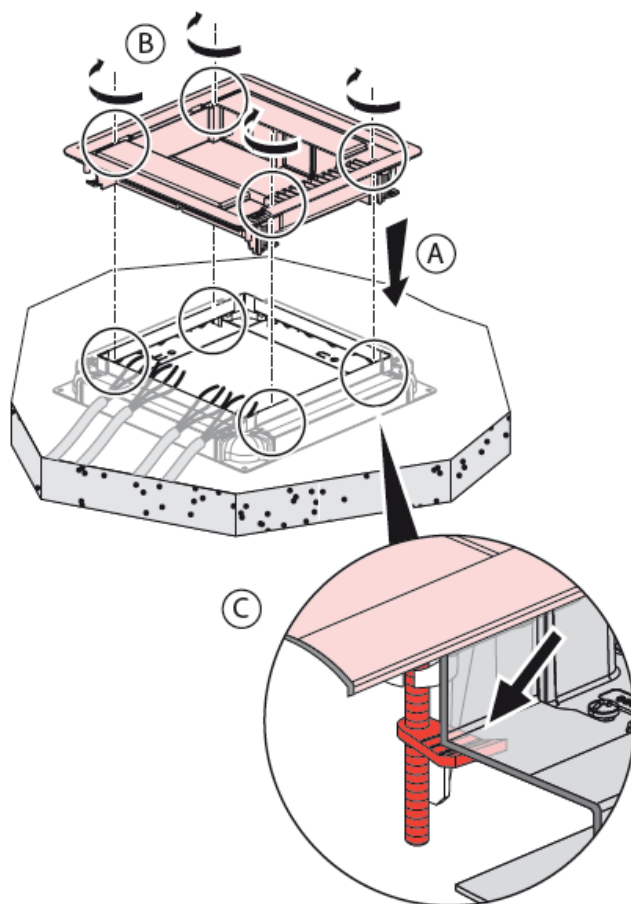


2 FIXING (continued)

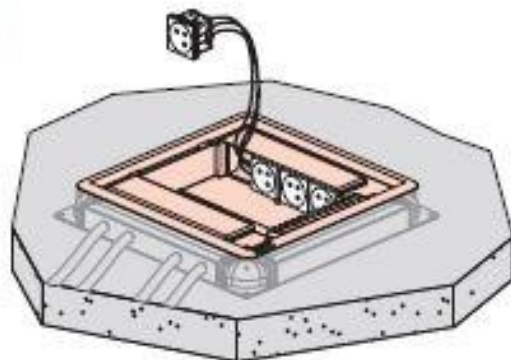
Into metal under-floor boxes :



Minimum height required is 50mm (70mm max)



2 FIXING (continued)



Wiring accessories supports can be equipped with :

2 modules Mosaic sockets :

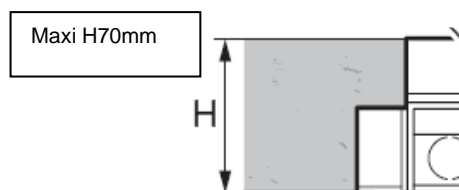
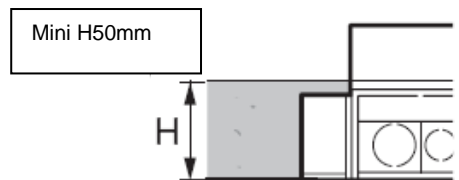


Be careful when positioning sockets in their supports.
(earth pin on top = side outlet plugs can't be used)

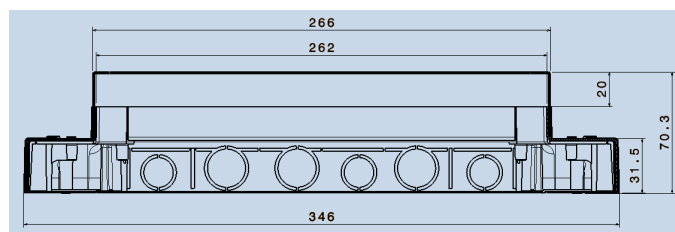
RJ 45 sockets in 1 or 2 modules:



Note:



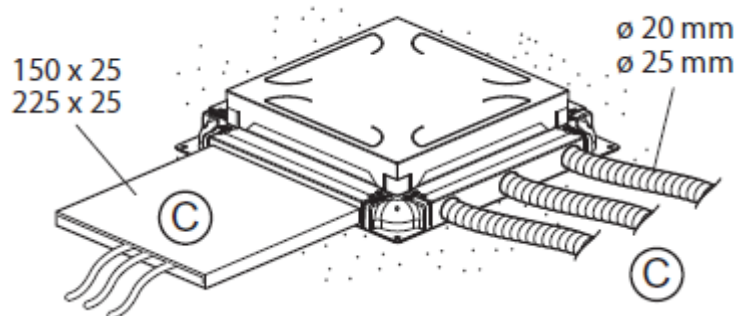
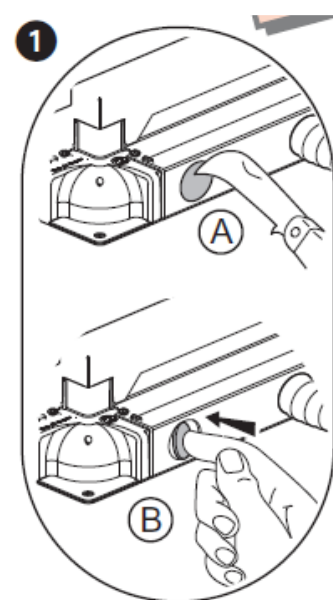
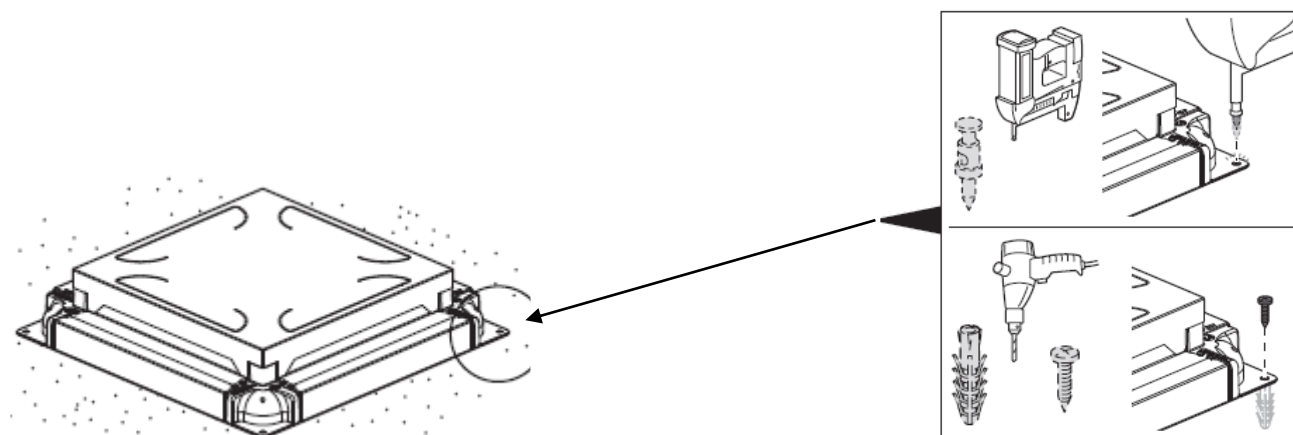
Dimensions (in mm) :



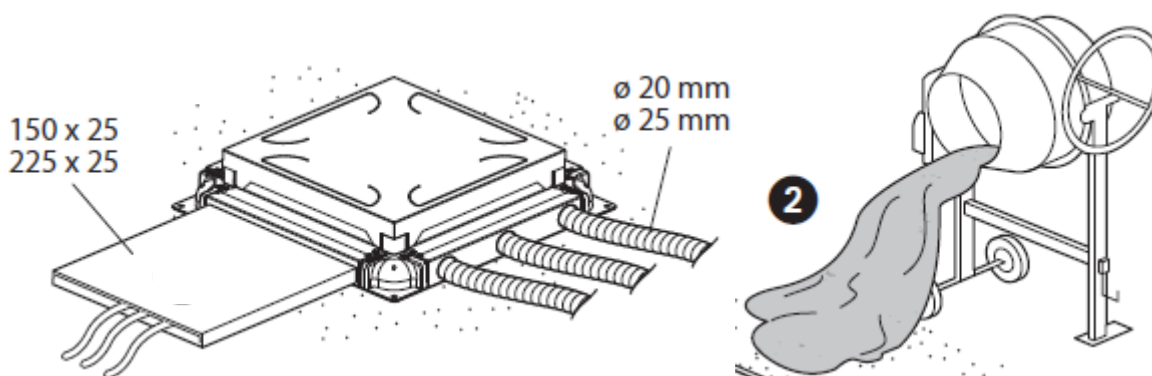
3 BACKBOXES

Ref 0 880 73

A- Fix the backboxes on the slab



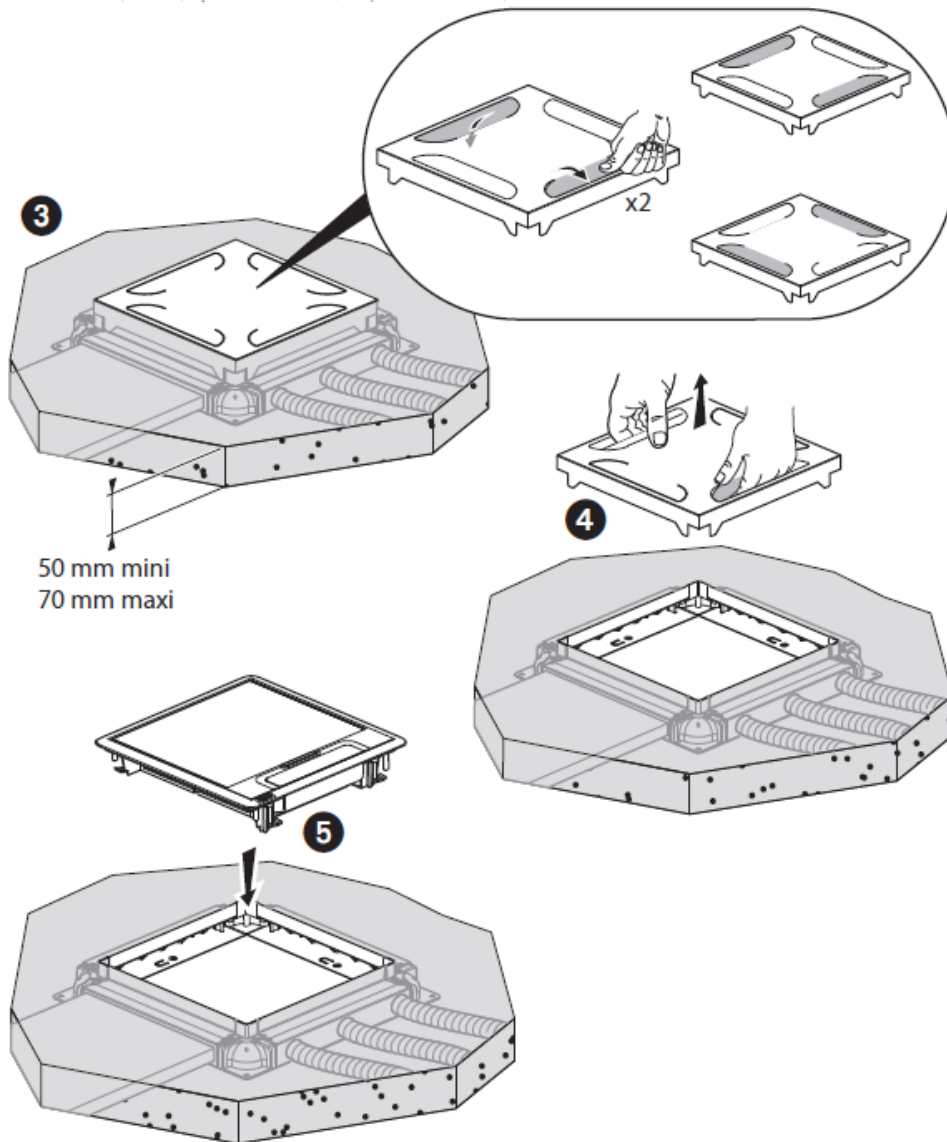
1- Put the trunking or flexible conduits (use a tool to fold), the side plates have to be cut out to fit the required ducting and/or conduits



2- Pouring the concrete

3 BACKBOXES (continued)

Push to fold and pull up the metal protection to install the floor boxes



4 TECHNICAL CHARACTERISTICS

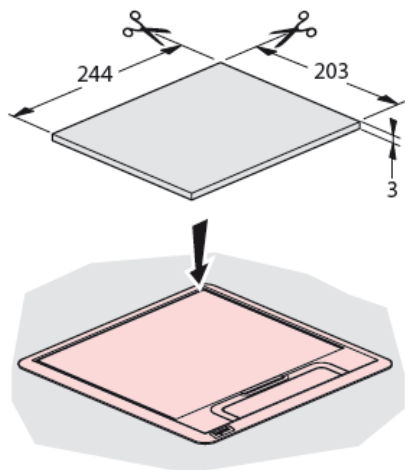
All covers are equipped with a metal plate allowing their rigidity.

Note : do not use tile on the cover

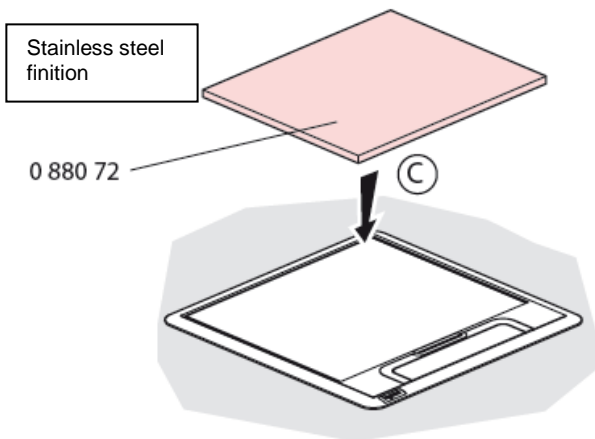
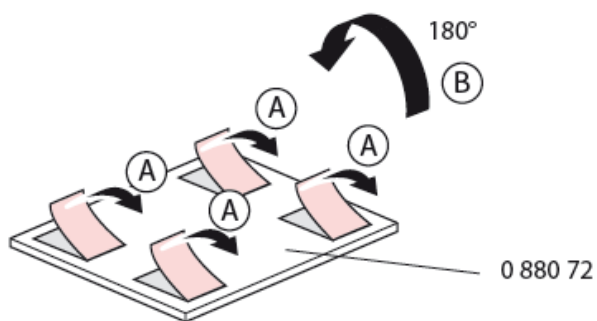
Installation with different coatings :

Example with carpet or vinyl : (3mm max)

Cut the gauge to the dimensions below.



Stainless steel finishing plate ref 0 880 72 :



4 TECHNICAL CHARACTERISTICS (continued)

7		Classification EN 60670-23	
7.1	The nature of their material	7.1.3. Composite	
7.2	The method of installation ^a	7.2.1 Flush, semi-flush or embedded 7.2.3 Placement 7.2.101 According to floor treatment	7.2.1.3 Hollow walls, hollow ceiling, hollow floors or furniture 7.2.3.1 Suitable for installation into concrete during the casting process (see 7.6) 7.2.101.1 Floor boxes or enclosures intended to be installed in floor subjected to dry treatment
7.3	The type(s) of inlets (outlets) ^b	7.3.7 Without inlets. Inlet openings will be made during installation.	
7.4	The clamping means	7.4.2 With cable anchorage	
7.5	The minimum and maximum temperatures during installation	7.5.1 -5 °C to +60 °C	
7.6	The maximum temperature during the casting process	7.6.1 +60 °C	
7.7	Boxes and enclosures for hollow walls and the like according to 7.2.1.3 are classified as	7.7.3 According to the degree of protection of the part mounted in the hollow wall	7.7.3.1 IP20

Insulation resistance and electric strength - IEC 60670-1 and 23:
The rated insulation voltage declared: 500 V

Cleaning :

The visible parts of floor box should be cleaned only with a dry cloth :



Maximum vertical load Resistance

Floor boxes range with reduced height to 50 mm	Number	small surface (1 cm ²)
plastic	0 880 70	500 N

5 MATERIAL CHARACTERISTICS

Floorboxes are in ABS, handle is plastic in PA 6.6 charge and cable exit in TPEE (élastomer)

Metal backboxes are in :

- Galvanised steel (Z275)
- ABS (for angles)