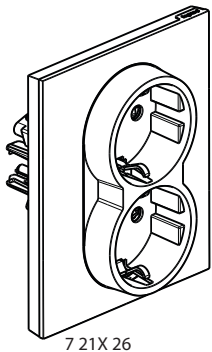
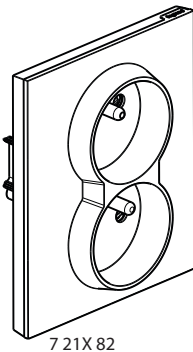


**Suno™**  
**Double socket outlets - German standard**

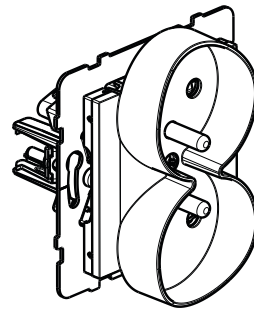
Cat. No(s): 7 211 26/82/90/91  
 7 212 26  
 7 213 26/82/90/91  
 7 214 26/82/90/91



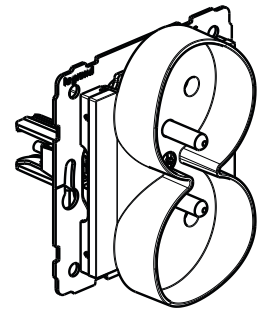
7 21X 26



7 21X 82



7 21X 90



7 21X 91

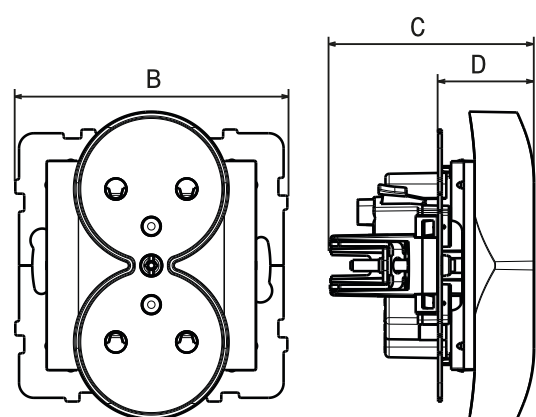
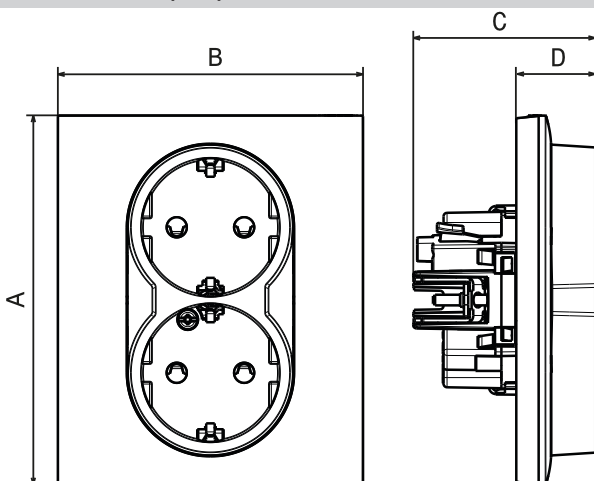
**1. USE**

Double socket outlets 16 A - 250 V~ with shutters.  
 Mechanisms supplied with support and protection cover  
 Installation in 1-gang flush-mounting or surface-mounting box, allows  
 replacing 1 socket by 2 sockets without changing mounting box.  
 To be equipped with plates

**2. RANGE**

Description	White	Ivory	Aluminum	Black
2X2P+E socket schuko standard auto terminals shuttered	7 211 26	7 212 26	7 213 26	7 214 26
2X2P+E socket french standard auto terminals shuttered (SK)	7 211 82		7 213 82	7 214 82
2X2P+E socket french standard auto terminals shuttered (specific Polish)	7 211 90		7 213 90	7 214 90
2X2P+E socket french standard screw terminals (specific Polish)	7 211 91		7 213 91	7 214 91

**3. DIMENSIONS (mm)**



References	A	B	C	D
7 21X 26	104	86	51,3	22,95
7 21X 82	104	86	43,25	22,95
7 21X 90		72,9	54,7	25,75
7 21X 91		71	53,8	25,75

#### 4. CONNECTION

Type of terminals:

Auto terminals (7 21X 26, 7 21X 82, 7 21X 90)

Stripping length:

13 mm

Screw terminal (7 21X 91)

Tightening torque:

0,8 Nm

Stripping length:

11 mm

Capacity:

2 x 2.5 mm<sup>2</sup>

Flexible or rigid cables compatible

#### 5. TECHNICAL CHARACTERISTICS

##### ■ 5.1 Mechanical characteristics

Protection against solid bodies and liquids IP20

Protection against impact: IK 04

##### ■ 5.2 Material characteristics

Polygloss appearance

Colours: - White RAL 9003

- Ivory RAL 1013

- Painted aluminium (C010B)

- Painted black (C014A)

Material: - Plate ABS

- Socket cover plate: Polycarbonate

- Halogen-free

- UV-resistant

Material of the support:

- Metal (7 21X 26, 7 21X 90, 7 21X 91)

Material of the support:

- PC (7 21X 82)

Self-extinguishing:

+ 850°C/30 s for insulating components holding live parts in place

+ 650°C/30 s for other insulating components.

##### ■ 5.3 Electrical characteristics

Voltage: 250 V~

Current: 16 A

Frequency: 50/60 Hz

##### ■ 5.4 Climate characteristics

Storage and usage temperature:

- 5 °C to + 35 °C (7 21X 26, 7 21X 82)

Storage and usage temperature:

- 10 °C to + 70 °C (7 21X 90)

Storage and usage temperature:

- 25 °C to + 40 °C (7 21X 91)

#### 6. MAINTENANCE

Surface cleaning with a cloth.

Do not use:

Acetone, tar remover, trichloroethylene.

Maintenance with the following products:

Hexane (EN 60669-1), Methylated spirit, Soapy water, Diluted ammonia, pure bleach diluted to 10%, Window-cleaning products, pre-impregnated wipes.

**Caution:** Always test before using other special cleaning products.

#### 7. STANDARDS AND APPROVALS

Compliance with standards of installation and manufacturing.

Refer to e-catalogue.