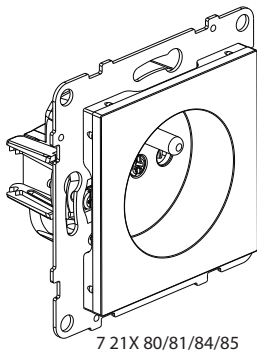
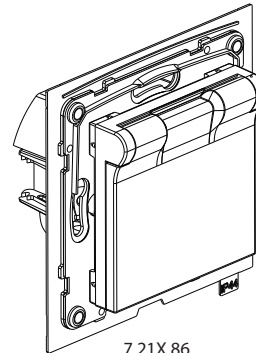


Suno™
Socket outlets - French Standard 16A

Cat. No(s): 7 21X 80/81/84/85, 7 21X 86



7 21X 80/81/84/85



7 21X 86

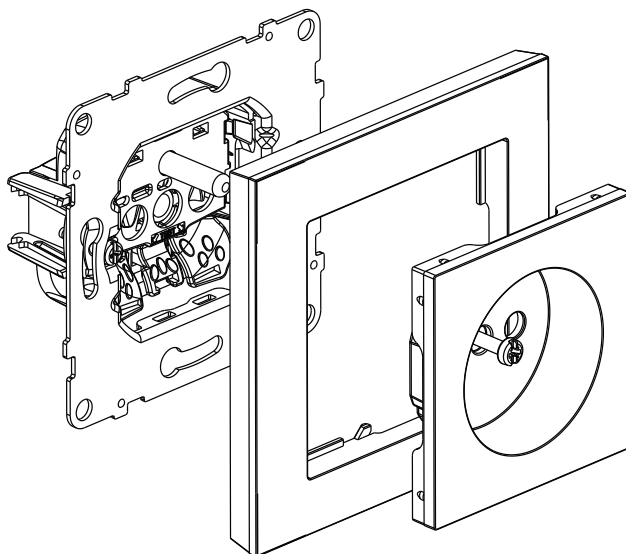
1. USE

Socket outlets with or without shutters.
 Flush-mounting.
 Screw and/or claw fixing.

2. RANGE

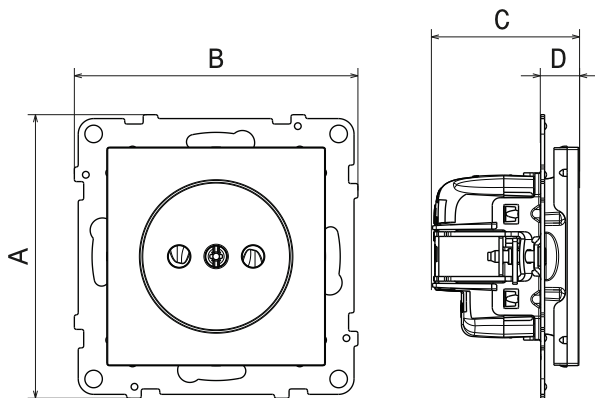
SOCKET OUTLETS WITHOUT SHUTTERS:	White	Ivory	Aluminum	Black
2P+E sockets auto terminal	7 211 81	-	7 213 81	7 214 81
2P+E sockets screw terminal	7 211 85	-	7 213 85	7 214 85
SOCKET OUTLETS WITH SHUTTERS:	White	Ivory	Aluminum	Black
2P+E sockets auto terminal	7 211 80	-	7 213 80	7 214 80
2P+E sockets screw terminal	7 211 84	-	7 213 84	7 214 84
IP 44 2P+E socket auto terminal	7 211 86	-	7 213 86	7 214 86

3. DISMANTLING



Socket outlets - French Standard 16A

3. DIMENSIONS (mm)



References	A	B	C	D
7 21X 80/81/84/85	72,9	72,9	37,6	9,8
7 21X 86	81,25	81,25	47,45	18,95

5. CONNECTION

Flexible or rigid cables compatible.

TYPE OF TERMINALS:

Screw terminal Tightening torque: 0,8 Nm	7 21X 84	7 21X 85	
Auto terminal	7 21X 80	7 21X 81	7 21X 86

Terminal capacity:

6 X 2.5mm²

Stripping length:

Screw terminal : 10mm

Auto terminal : 13mm

Screwdriver:

Posidrive 1, flat 4mm

6. TECHNICAL CHARACTERISTICS

■ 6.1 Mechanical characteristics

Protection against solid bodies and liquids:

IP20	7 21X 80	7 21X 81	7 21X 84	7 21X 85
IP44	7 21X 86			

Protection against impact: IK04

■ 6.2 Material characteristics

Polygloss appearance

Colour molded:

- White RAL 9003

- Ivory RAL 1013

Matt colour painted:

- Aluminum RAL 9023

- Black RAL 9017

Material:

- Plate ABS

- Socket covers: Polycarbonate

- Halogen-free

- UV resistant

Self-extinguishing:

850°C/30 s for installing components holding live parts in place

650°C/30 s for other insulating components

■ 6.3 Electrical characteristics

Voltage: 250 V~

Current: 16 A

Frequency: 50/60 Hz

■ 6.4 Climatic characteristics

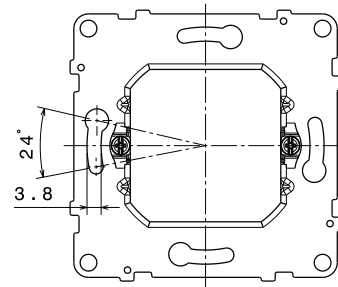
Usage temperature: -5°C to +35°C

Storage temperature: -10°C to +70°C

■ 6.5 Support

Material of support: -Metal

Angular adjusting:

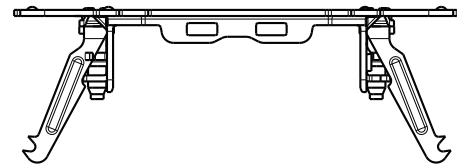


■ 6.6 Fixing with claws

Number of turns to open the claws:

- 58 mm > 2,1 turns

- 65 mm > 2,75 turns



■ 6.7 Cover fixing

Fixing with screw maximum 1 Nm tightening

7. MAINTENANCE

Surface cleaning with a cloth.

Do not use:

Acetone, tar remover, trichloroethylene.

Maintenance with the following products:

Hexane (EN 60669-1), Methylated spirit, Soapy water, Diluted ammonia,

Bleach diluted to 10%, Window-cleaning products.

Caution: Always test before using other special cleaning products.

8. STANDARDS AND APPROVALS

Compliant with installation and manufacturing standards.

Refer to e-catalogue.