

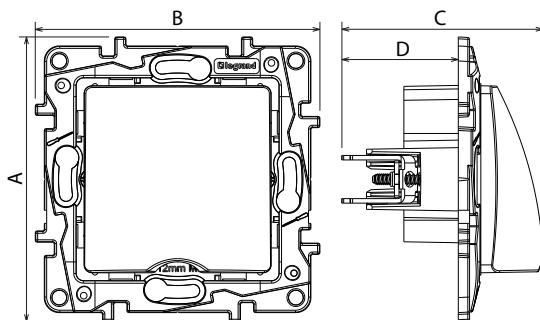
1. USE

Cable outlets.
Mechanisms supplied with protection cover.
To be equipped with plates one or several gangs.
Flush-mounting or surface-mounting.
Screw or claw mounting.

2. RANGE

Description	White	Aluminium	Smoked grey	Black
Cable outlet	7 621 46	7 622 46	7 623 46	7 624 46

3. DIMENSIONS (mm)



References	A	B	C	D
7 62X 46	75.8	75.8	53.55	31

4. CONNECTION

Capacity maxi: 3 x 2.5 mm²
Maximum diameter of the cable: 12 mm
Flexible or rigid cables compatible

5. TECHNICAL CHARACTERISTICS

■ 5.1 Mechanical characteristics

Protection against solid bodies and liquids: IP 20
Protection against impact: IK 04

5. TECHNICAL CHARACTERISTICS (continued)

■ 5.2 Material characteristics

Material : - Halogen free
- UV resistant
- Claws: steel
Material of the support: - PC
- Halogen free

Self-extinguishing:

+ 850° C / 30 s for insulating parts holding live parts in place
+ 650° C / 30 s for other parts made of insulating materials

■ 5.3 Electrical characteristics

Voltage: 250 V~
Current: 16A
Frequency: 50/60 Hz

■ 5.4 Climatic characteristics

Storage temperature: - 10° C to + 70° C
Use temperature: - 5° C to + 40° C

6. MAINTENANCE

Surface cleaning with a cloth.
Do not use: acetone, tar remover, trichloroethylene.

Maintenance with the following products: Hexane (EN 60669-1), Methylated spirit, Soapy water, Diluted ammonia, Bleach diluted to 10%, Window-cleaning products.

Caution: A preliminary test should be carried out if other specific cleaning products are to be used.

7. STANDARDS AND APPROVALS

Compliance with standards of installation and manufacturing.
Refer to e. catalogue.