



## IR receiver

5739 00

5739 01

### Description

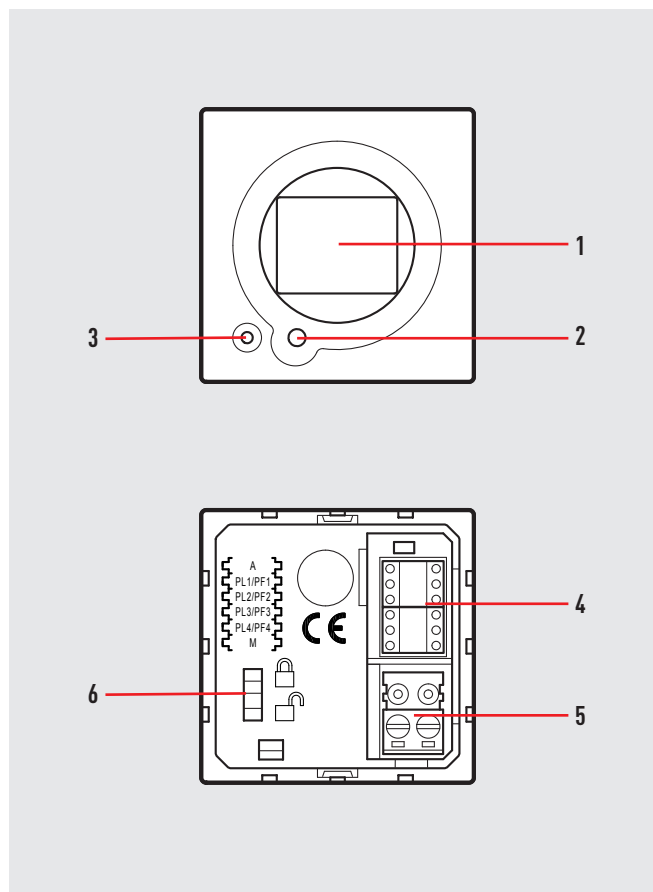
The receiver can add the remote control by means of infrared ray controls 882 31/882 32 to the manual control or replace the manual control by the remote control. It is possible to associate to the remote control pushbuttons the controls intended for 1-relay actuators for single loads and 2-relay actuators for double loads (rolling shutter motor etc.), the scenario management, and the control of sound systems and video door entry systems. In addition to the IR receiving lens, the front of the device shows a programming pushbutton and a notification LED, for notification that the IR signal sent by the remote control has been received, and notification of the programming procedure.

### Technical data

Power supply from SCS BUS: 18 – 27 Vdc  
 Consumption : 8.5 mA  
 Operating temperature: 5 – 35 °C

### Dimensional data

Size: 2 flush-mounting modules  
 Depth: 20.7 mm



### Legend

1. Receiving lens
2. Programming/reset pushbutton
3. LED
4. Configurator housing
5. BUS
6. Switch for programming lock/unlock

**Configuration**

It is possible to set 5 different operating modes in the IR receiver according to the configuration of the A, PL1, PL2, PL3, PL4 and M positions.

Mode	M	Functions which can be performed
A - remote control	1 – 4	Repeating of 4 generic controls (ON/OFF, UP/DOWN) with the 4 remote control keys. The receiver saves the controls required in the installation phase, by inserting configurators in positions A, PL 1 to 4 and M. Changing the pre-set functions involves the reconfiguration of the IR receiver.
B - advanced scenarios	CEN	Activation of scenarios managed by the scenario programmer 035 65.
C - remote self-learning	none	Repeating of generic controls (ON/OFF, UP/DOWN) with the remote control keys. In this case the receiver saves the controls with a self-learning procedure. The customer can change the succession and the controls saved to be recalled with the remote control at any time.
Scenario module control	6	Management with the remote control of a maximum of 16 recorded scenarios in the scenario module 035 51.
E - sound system	9	Management using the remote control of the amplifier to be controlled.

**1) Mode "A" (remote control) M = 1 – 4**

This mode lets the user associate generic controls (ON/OFF, UP/DOWN) intended for single loads or double loads with the remote control keys.

The correspondence between the remote control keys and the loads controlled is determined in the installation phase by the configuration of positions A and PL 1 to PL 4 of the IR receiver, as shown in the table below.

The following can be associated with the remote control pushbuttons:

- Point-point controls, i.e. intended for single or double loads (rolling shutter motor) whose address is specified by configurator 1 to 9 in positions PL 1 to PL 4. The various operating modes are determined by the association of the configurators with the PL positions.

- Controls intended for actuators for single and double loads belonging to the room defined with configurator 1 to 9 in position A. In this case the operating modes are defined by the configurators marked by the graphics of the function performed, inserted in positions PL 1 to 4.

5739 00  
 5739 01

Function	Type of control	Position A	Position PL1/ PF1	Position PL2/ PF2	Position PL3/ PF3	Position PL4/ PF4	
Cyclic ON/OFF functioning for short pressure + adjustment (dimmer)	Light point in the room indicated in R	1 - 9	1 - 9	1 - 9	1 - 9	1 - 9	
Cyclic ON-OFF	Room control <sup>2)</sup>	1 - 9	AMB	AMB	AMB	AMB	
Rolling shutter up-down <sup>1)</sup>	Light point in the room indicated in R	1 - 9	1 - 9	1 - 9			
				1 - 9	1 - 9		
						1 - 9	1 - 9
			1 - 9				1 - 9
					1 - 9	1 - 9	
Monostable rolling shutter up-down <sup>1)</sup>	Room control <sup>2)</sup>	1 - 9	↑↓ M	↑↓ M			
				↑↓ M	↑↓ M		
						↑↓ M	↑↓ M
			↑↓ M				↑↓ M
			↑↓ M			M	
					↑↓ M		↑↓ M
Rolling shutter up-down to end of stroke <sup>1)</sup>	Room control <sup>2)</sup>	1 - 9	↑↓	↑↓			
				↑↓	↑↓		
						↑↓	↑↓
			↑↓				↑↓
			↑↓			↑↓	
ON control	Room control <sup>2)</sup>	1 - 9	ON	ON	ON	ON	
OFF control	Room control <sup>2)</sup>	1 - 9	OFF	OFF	OFF	OFF	

1) The two PL positions must have the same configurator. The UP control is associated with the first PL position and the DOWN control with the second PL position.

Example 1: If on the receiver positions PL2 and PL3 have configurator 7, the remote control operates double actuator 7 of the room indicated in A, raising the rolling shutters with pushbutton 2 and lowering them with pushbutton 3.

2) The control is intended for devices belonging to the room indicated in A.

Example 2: If on the receiver positions PL2 and PL3 have configurator ↑↓ and position A has configurator 2, the remote control operates all the actuators in room 2, raising the rolling shutters with pushbutton 2 and lowering them with pushbutton 3.

**2) Mode "B" (advanced scenarios) M= CEN**

With this mode, the remote control, 882 31 is used as "scenario control" for the activation of one or more advanced scenarios saved in the Programmer, 035 65. The IR receiver must be also configured in positions A and PL with the numeric configurators for the definition of the address in the system.

The association between one or more remote control pushbuttons with the scenarios created and saved in the Programmer 035 65 is performed when creating the scenario itself using the supplied software.

**3) Mode "C" (self-learning - remote) M= 0**

This mode enables you to associate a single control with any key of the remote control. It is possible to associate up to 4 controls with a remote control using only one receiver. Configure the receiver with address A=0 and PL=1 – 9 which cannot be used by actuators.

Controls that the receiver can "learn":

- ON/OFF actuator (cyclic ON/OFF functioning for short pressure and adjustment for long pressure)
- Timed ON
- Flashing
- UP-DOWN rolling shutter (up-down until end of stroke)
- Lock/Unlock actuator
- ON/OFF, lights – auxiliary (cyclic ON/OFF functioning)
- UP-DOWN rolling shutter auxiliary (up-down until end of stroke)
- Video door entry system (door lock and staircase lights)
- Sound system (management of the amplifier to be controlled)

To associate a different control with each of the remote control channels, follow the procedure below:

- 1) press the programming pushbutton on the control for 3 seconds: the LED will turn on steadily;
- 2) within 20 seconds press the key of the channel you want to program on the remote control: the LED will begin to flash, hence indicating the activation of the programming mode;

- 3) set up the control you want to associate with the remote control key using the controls and/or corresponding actuator: the LED will turn on steadily
- 4) you can now repeat 2) and 3) for all keys, even for a key that has already been associated, in case you want to change it;
- 5) press the pushbutton to exit programming: the LED will turn off.

To cancel the programming of one of the remote control channels, follow the procedure below:

- 1) press the programming pushbutton for at least 8 seconds: the LED will turn on steadily after 3 seconds; it will turn off after another 5 seconds; release the key within 4 seconds: the LED will turn on steadily;
- 2) within 20 seconds press on the remote control the key of the channel you want to cancel: the LED will start flashing quickly for about 4 seconds, thus confirming the cancellation;
- 3) from now on, the cancelled key will no longer activate any control until it is re-programmed. To cancel the programming of all remote control channels simultaneously, press the programming pushbutton for about 12 seconds: the LED will turn on steadily after 3 seconds; it will turn off after another 5 seconds; after another 4 seconds, it will start flashing quickly for about 4 seconds, thus confirming the cancellation of all programming conditions.

**NOTE:** with the Two-way switch in the "closed padlock" position programming and deleting of the IR receiver are disabled.

5739 00  
5739 01

#### 4) Mode "D" (scenario module control) M= 6

This mode enables creating, deleting or changing the scenarios contained in the scenario module, 035 51, and to recall them using the remote control. With this procedure it is possible to save up to 4 scenarios using all 4 channels of the remote control.

To program, change or delete a scenario, the programming of Module 031 51 must be enabled, confirmed by the programming status LED turning green (press the lock/unlock key for at least 0.5 seconds), and the two-way switch on the back of the IR receiver must be in the "lock open" position.

The procedure is as follows:

- 1) press the programming pushbutton on the receiver for 3 seconds: the LED will turn on steadily; release the pushbutton;
- 2) press the remote control pushbutton of the scenario to program within 20 seconds: the LED will start flashing, confirming that the programming mode is active;
- 3) set the scenario using the corresponding controls and/or actuators;
- 4) press the pushbutton to exit programming: the LED switches off;
- 5) repeat the procedure from 1 to 4 for all scenarios to be programmed.

To delete a scenario, proceed as follows:

- 1) press the programming pushbutton on the receiver for 8 seconds: after 3 seconds the LED will turn on steadily; after 5 seconds it will turn off again; release the key within 4 seconds: the LED will turn on steadily;
- 2) press the remote control pushbutton of the scenario to be deleted within 20 seconds; when the scenario module sends the deleting confirmation, the LED flashes quickly for about 2 seconds and turns off;
- 3) repeat the procedure from 1 to 2 for all scenarios to be deleted.

The entire memory can only be reset from the scenario module. To prevent the possibility of programming or deleting the scenarios from the IR receiver, move the two-way switch on the back to the "lock closed" position.

**NOTE:** configure the device with address A=0 and PL=1 – 9 which cannot be used by actuators.

For example, if the scenario module is configured with A=0 and PL=3, the IR receiver must be configured with A=0; PL=3 and M=6.

#### 5) Mode "E" (sound system) M= 9

In the Sound system, the IR receiver can control an amplifier.

The control is always in "follow me (\*)" mode, and the functions that can be performed are:

- Key A: with a quick pressure, the "On" control is sent. An extended pressure will increase the volume
- Key B: with a quick pressure, the "Off" control is sent. An extended pressure will decrease the volume
- Key C: cycling of the radio stations saved, or CD track change
- Key D: cycling of the sources

The association of the A-B-C-D keys with those of the remote control is performed as shown in the table:

	Key A	Key B	Key C	Key D
PF1	Ch 1	Ch 2	Ch 3	Ch 4

Where:

- PF1 = 0 – 9 address of the amplifier to control
- PF2 = 0
- PF3 = 0
- PF4 = 0
- A = 1 – 9 room receiving the control

**NOTE (\*):** the Follow Me mode allows to have the same music in another room after switching off the amplifier of the room previously occupied, and switching on the one in the current room.