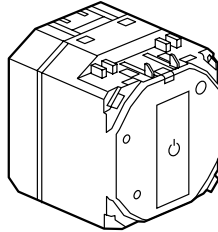


**Céliane™**  
**Two-way switch with touch control**

Cat. No(s): 670 42



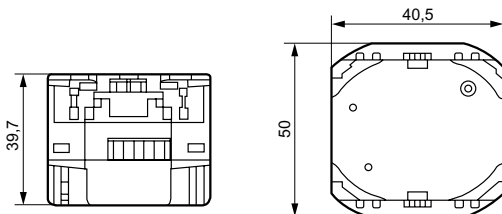
**1. USE**

For switching lights on or off with only the lightest stroke.  
Option of combining 2 touch controls to make a two-way circuit.

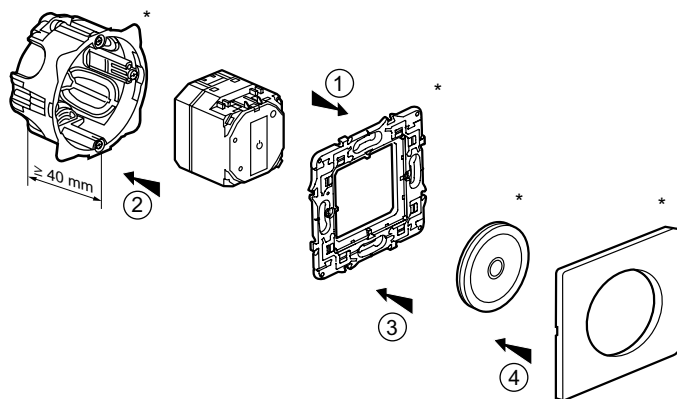
**2. RANGE**

	Description	Cat. No.	Weight (g)
	Two-way switch with touch control	670 42	58.6

**3. OVERALL DIMENSIONS**



**4. FITTING**



\* not supplied with the mechanism

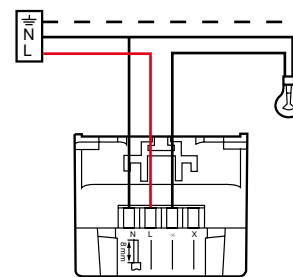
**4. FITTING (cont'd)**

- 1 - The mechanism is clipped to the support from the back.
  - 2 - The mechanism/support assembly is screwed to the flush-mounting box
  - 3 - The rocker is clipped to the mechanism
  - 4 - The plate is clipped to the support
- Can be fitted with the full range of Céliane finishes.  
Vertical or horizontal multi-gang mounting.

**5. CONNECTION**

Number of terminals: 4  
Terminal type: with screws  
Terminal capacity: 2 x 1.5 mm<sup>2</sup> or 1 x 2.5 mm<sup>2</sup>  
Tool: flat screwdriver 3.5 mm  
or Philips No. 1  
or Posidriv No. 1  
or mixed size 0  
Stripping length: 8 mm

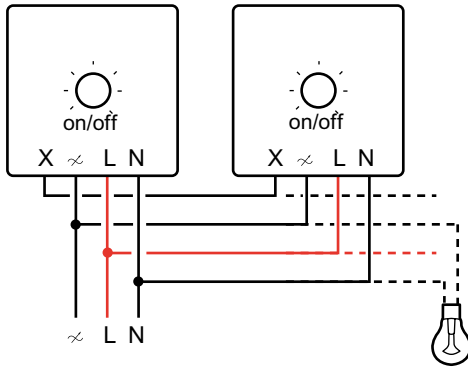
**5.1 Connection of one lighting point**



## Two-way switch with touch control

### 5. CONNECTION (cont'd)

#### 5.2 Connection combined with other touch-control two-way switches



#### Caution :

Functions only in combination with touch controls (5 maximum in parallel).

When installed in combination these products must be protected by the same protection circuit.

### 6. TECHNICAL DATA

#### 6.1 Mechanical characteristics

Impact tests: IK 04

Penetration by solid/liquid bodies: IP 20 } no rocker

#### 6.2 Material characteristics

Cover: Polycarbonate

Base: Polycarbonate

#### 6.3 Electrical characteristics

Self-extinguishing: 650°C / 30 s

Voltage: 100-240 V

Frequency: 50/60 Hz

Max. power:

	①	②	③	④	⑤	⑥	⑦	⑧	⑨
240 V	1000 W	1000 W	500 VA	500 VA	500 VA	500 VA	100 VA	1000 W	I max < 2A
100 V	500 W	500 W	250 VA	250 VA	250 VA	250 VA	50 VA	500 W	I max < 1A

1 - Incandescent lamp

2 - Halogen lamp

3 - ELV halogen lamp with ferromagnetic or electric transformer

4 - Fluorescent tube

5 - Compact fluorescent lamp

6 - Compact fluorescent lamp with separate transformer

7 - Fan motor

8 - Auxiliary radiator

9 - Contactor

#### 6.4 Climatic characteristics

Storage temperatures: -10°C to +70°C

Operating temperatures: -5°C to +35°C

### 7. CLEANING

No cleaning