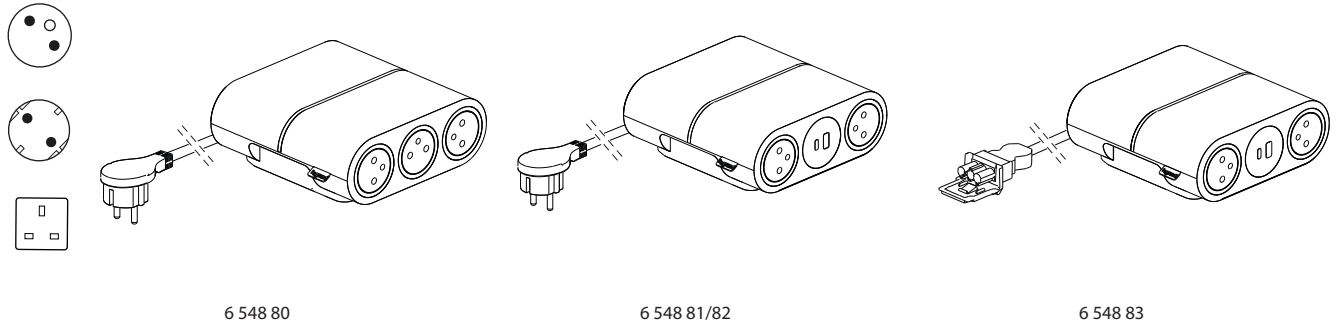


**Incara™  
Link'On**

Cat. No(s) : 6 548 80 to 83 - 6 548 86 to 89 - 6 548 91 to 93



**1. USE**

Incara™ Link'On offers ready-to-use power outlets and USB charging to be placed directly on the meeting table. With the integrated GST18i3 socket, Incara™ Link'On offers the ability to daisy-chain a second product to suit connection needs. .

**2. RANGE**

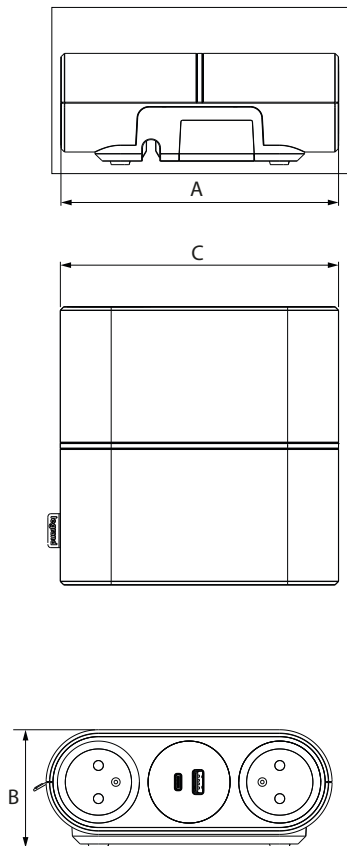
<b>Incara™ Link'On 2,5 m cord</b>  <b>Black finish</b>	<b>Standards</b>	
	<b>French</b>	<b>Schuko</b>
6x 2P+E	6 548 80	6 548 86

<b>Incara™ Link'On daisy chain 2,5 m cord</b>  <b>Black finish</b>	câble 2 m	<b>Possibility of adding an exten- sion due to the integra- tion of</b>	<b>Standards</b>					
			French	Extension to be asso- ciated with for more users	Schuko	Extension to be asso- ciated with for more users	British	Extension to be asso- ciated with for more users
4x 2P+E	2 USB A+C	1 HDMI	6 548 81	6 548 83	6 548 87	6 548 89	6 548 91	6 548 93
		-	6 548 82		6 548 88		6 548 92	

<b>Incara™ Extension for 4 sockets Link'On and 1,5 m cord with Wieland® GST18i3 connector</b>  <b>Black finish</b>	<b>Standards</b>			
	<b>French</b>	<b>Schuko</b>	<b>British</b>	
4x 2P+E	2 USB A+C	6 548 83	6 548 89	6 548 93

Other wiring devices configurations possible on demand

**3. DIMENSIONS**

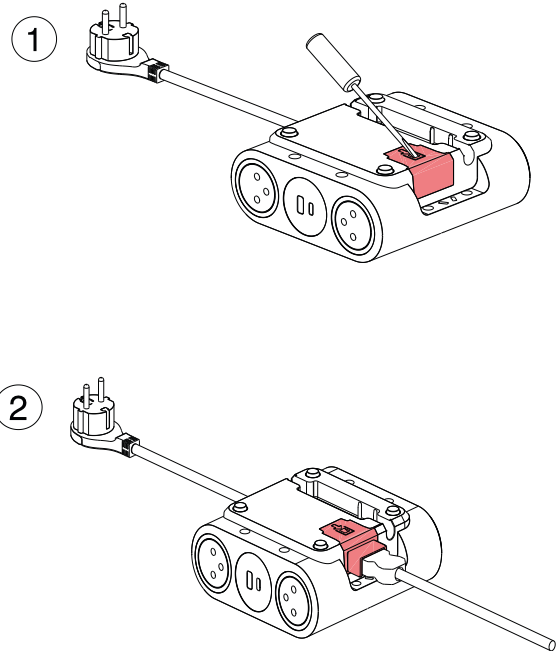


A	B	C
164	68	164

**4. INSTALLATION**

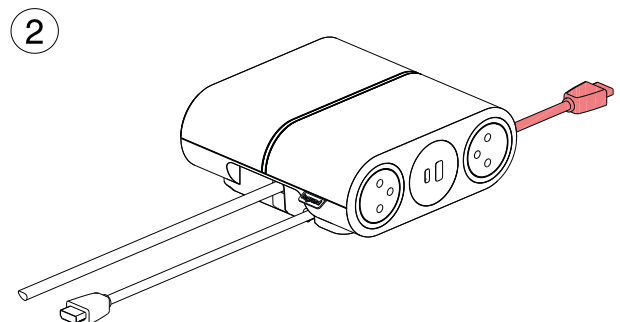
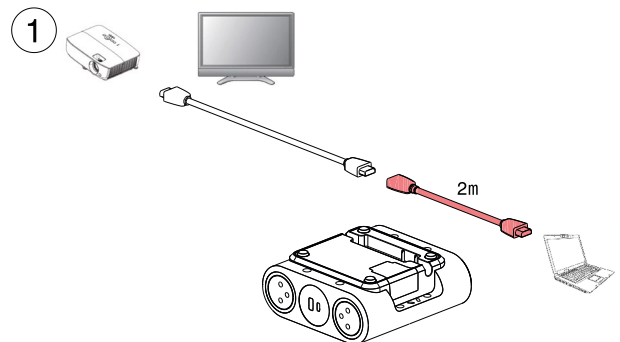
■ **4.1 Daisy-chaining of 2 Incara™ Link'On**

Cat. Nos 6 548 81/82 or 6 548 87/88 or 6 548 91/92



Specific case of cat. Nos with HDMI

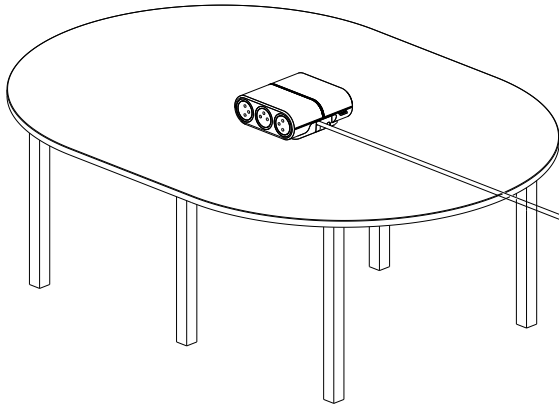
Cat. nos 6 548 81/87/91



**4. INSTALLATION (cont.)**

**4.2 - 6 sockets Incara™ Link'On on a meeting room table**

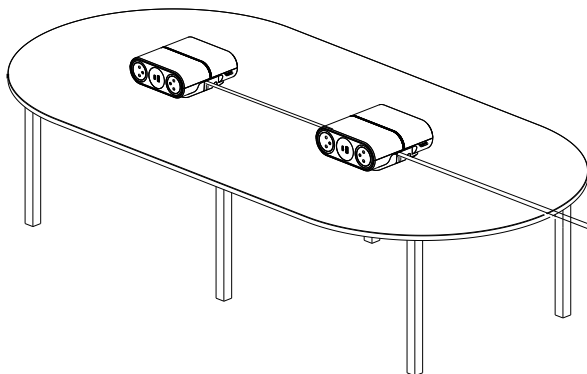
for example, cat. no 6 548 80 or 6 548 86



**4.3 Daisy-chaining of 2 x 4 sockets Incara™ Link'On on a meeting room table**

for examples, cat. nos

- 6 548 81 or 82 + 6 548 83
- or 6 548 87 or 88 + 6 548 89
- or 6 548 91 or 92 + 6 548 93



**5. TECHNICAL CHARACTERISTICS**

**5.1 Mechanical characteristics**

Resistance to Impact: IK 07  
Degree of protection provided by enclosures: IP 30

**5.2 Material characteristics**

- Wiring devices frames: Polycarbonate
- Housing: ABS
- Color: black RAL 9017

**5.3 Electrical characteristics**

**5.3.1 2 P+E sockets characteristics**

- Supply voltage: 250V~
- Frequency: 50/60 Hz
- Rated current:

- . for **French & Schuko standards** = 16A
- . for **British standard**, individually fused :
  - cat. nos **6 548 91/92** = 5A
  - cat. nos **6 548 93** = 3.15A

**5. TECHNICAL CHARACTERISTICS (cont.)**

**5.3.2 USB charger characteristics (LXX15)**

Trade mark	
Address	128, av. du Maréchal-de-Lattre-de-Tassigny - 87045 LIMOGES Cedex Tél. : 0 (+33) 5 55 06 87 87 - Fax : 0 (+33) 5 55 06 88 88 www.legrand.com
Input voltage	110-240V
Input AC frequency	50-60Hz
Output voltage	5,0V
Output current	3,0A
Output power	15,0W
Average active efficiency	83,9%
Efficiency at low load (10%)	83,3%
No-load power consumption	0,06W

**5.3.3 Cords characteristics**

HO3RT-H 3 G 1.5mm<sup>2</sup>

**5.4 Climate characteristics**

Operating temperature: from -5°C to +35°C  
Storage temperature: from -10°C to +70°C

**6. CLEANING**

Superficial cleaning with a soft cloth. Do not use abrasive products or detergents

**Caution:** Always test before using other special cleaning products

**7. STANDARDS AND APPROVALS**

Compliant to

		Standards	
French	Schuko	British	
		socket	complete product
NF C61-314 and IEC 60884-1	IEC 60884-1	BS 1363-2	BS 5733

USB charger compliant to IEC 62368-1

Products should be installed by competent persons to the current version of the local wiring regulations.

Please consult Legrand locally for further details.