

**ECROU A EMBASE CRANTEE - EEC
EEC - COLLAR NUT**

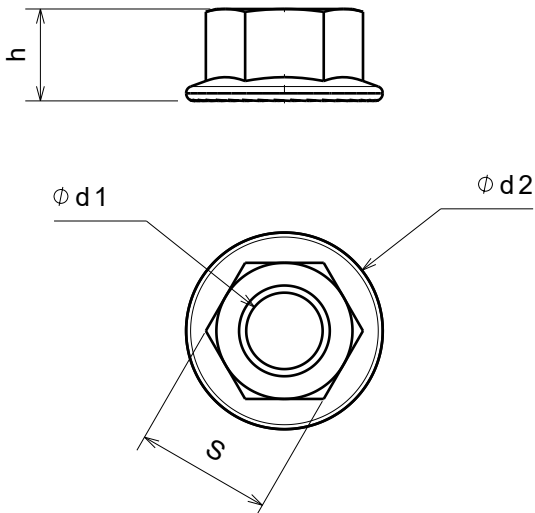
Reference(s) : 801 201/04/11/13/14/21/24/31/34
350 405/06/07/08



1. GAMME / RANGE

Designation	Code	Poids / Weight (Kg) / (lb)		Classe / Class	Norme / Standard	Finition / Coating	Classe de résistance contre la corrosion / Resistance class against corrosion
EEC M6 EZ	801 201	0.004	0.009	8	ISO 898-2	EZ	Class 1 / IEC 61537
EEC M6 316L	801 204			A4-80	ISO 3506-2	IN316L / SS316L	Class 9D / IEC 61537
EEC M6 ZnNi	350 405			8	ISO 898-2	ZnNi	Class 8 / IEC 61537
EEC M8 EZ	801 211	0.008	0.018	8	ISO 898-2	EZ	Class 1 / IEC 61537
EEC M8 ZnL	801 213			ZnL	Class 6 / IEC 61537		
EEC M8 316L	801 214			A4-80	ISO 3506-2	IN316L / SS316L	Class 9D / IEC 61537
EEC M8 ZnNi	350 406			8	ISO 898-2	ZnNi	Class 8 / IEC 61537
EEC M10 EZ	801 221	0.013	0.029	8	ISO 898-2	EZ	Class 1 / IEC 61537
EEC M10 316L	801 224			ISO 3506-2	IN316L / SS316L	Class 9D / IEC 61537	
EEC M10 ZnNi	350 407			8	ISO 898-2	ZnNi	Class 8 / IEC 61537
EEC M12 EZ	801 231	0.022	0.049	8	ISO 898-2	EZ	Class 1 / IEC 61537
EEC M12 316L	801 234			A4-80	ISO 3506-2	IN316L / SS316L	Class 9D / IEC 61537
EEC M12 ZnNi	350 408			8	ISO 898-2	ZnNi	Class 8 / IEC 61537

2. DIMENSIONS (mm/inch)



Designation	d1	d2		h		S	
		(mm)	(inch)	(mm)	(inch)	(mm)	(inch)
EEC M6	M6	14.2	0.56	6	0.24	10	0.39
EEC M8	M8	18	0.71	8	0.31	13	0.51
EEC M10	M10	22	0.87	10	0.39	15	0.59
EEC M12	M12	26	1.02	12	0.47	18	0.71