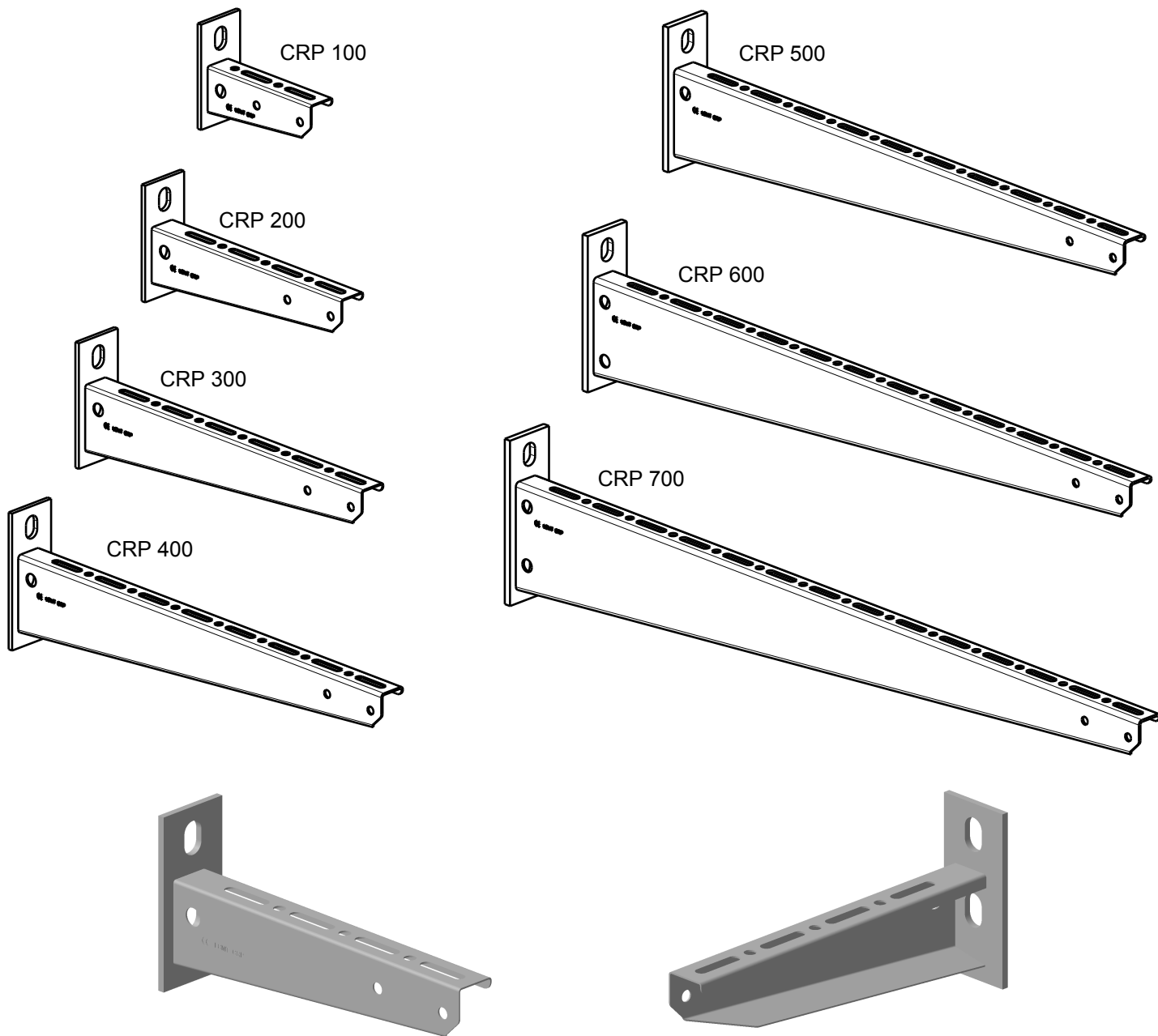


Console lourde - CRP
 CRP - Heavy duty bracket

Reference(s) : 557213-557233-557243-557253-
 557263-557273-557383



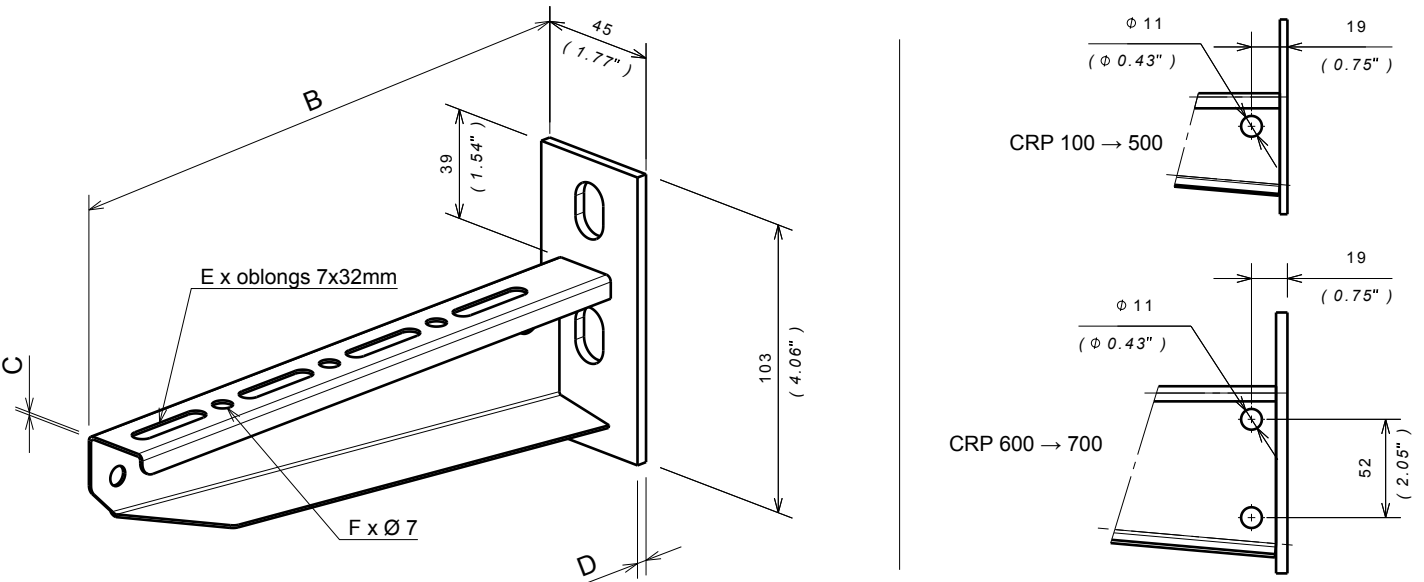
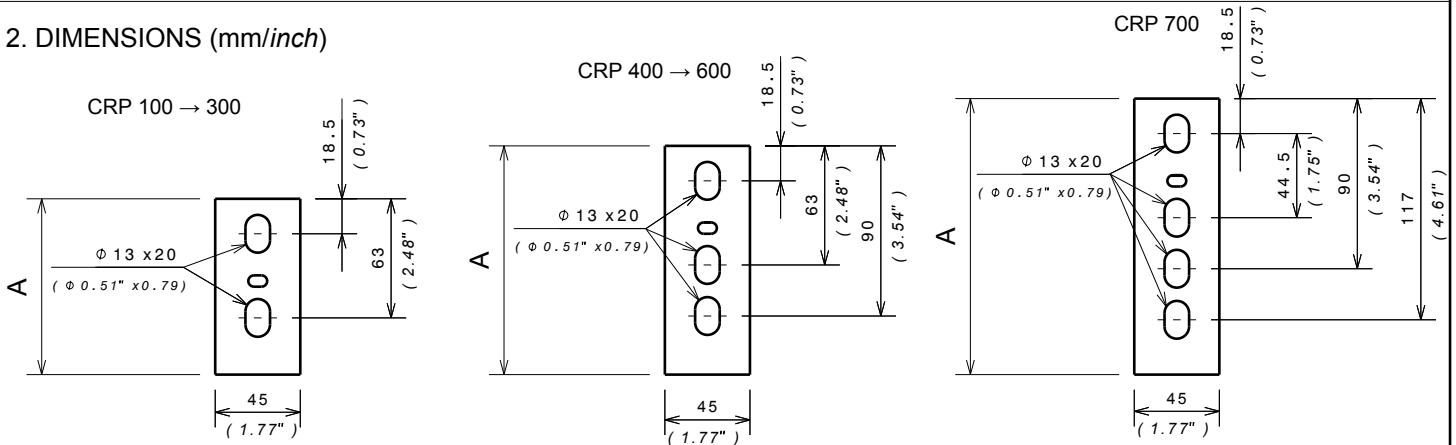
1. GAMME / RANGE

| Designation | Code | Poids / Weight (Kg) (lb) | | Matière / Material | Norme / Standard | Finition / Coating | Classe de résistance contre la corrosion/ Resistance class against corrosion |
|-------------|---------|-----------------------------|------|-----------------------|---------------------|-----------------------|---|
| CRP 100 | 557 213 | 0.19 | 0.42 | S235 JR | EN 10 025 | GC / HDG | Class 6 / IEC 61537 |
| CRP 200 | 557 233 | 0.28 | 0.62 | | | | |
| CRP 300 | 557 243 | 0.41 | 0.90 | | | | |
| CRP 400 | 557 253 | 0.62 | 1.37 | | | | |
| CRP 500 | 557 263 | 0.97 | 2.14 | | | | |
| CRP 600 | 557 273 | 1.16 | 2.56 | | | | |
| CRP 700 | 557 383 | 1.37 | 3.02 | | | | |

Console lourde - CRP
CRP - Heavy duty bracket

Reference(s) : 557213-557233-557243-557253-
 557263-557273-557383

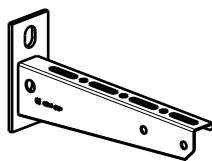
2. DIMENSIONS (mm/inch)



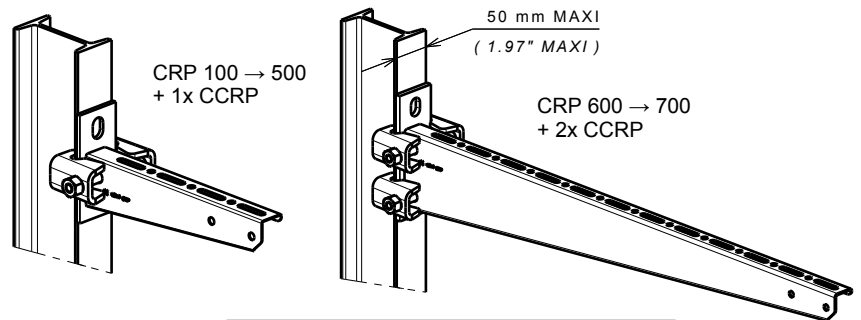
| Designation | Code | A | | B | | C | | D | | E | F |
|-------------|---------|------|--------|------|--------|------|--------|------|--------|----|----|
| | | (mm) | (inch) | (mm) | (inch) | (mm) | (inch) | (mm) | (inch) | | |
| CRP 100 | 557 213 | 93 | 3.66 | 123 | 4.84 | 1 | 0.04 | 4 | 0.16 | 2 | 1 |
| CRP 200 | 557 233 | 103 | 4.06 | 223 | 8.78 | 1 | 0.04 | 4 | 0.16 | 4 | 3 |
| CRP 300 | 557 243 | 111 | 4.37 | 323 | 12.72 | 1.2 | 0.05 | 4 | 0.16 | 6 | 5 |
| CRP 400 | 557 253 | 121 | 4.76 | 423 | 16.65 | 1.5 | 0.06 | 4 | 0.16 | 8 | 7 |
| CRP 500 | 557 263 | 128 | 5.04 | 525 | 20.67 | 1.8 | 0.07 | 6 | 0.24 | 10 | 9 |
| CRP 600 | 557 273 | 138 | 5.43 | 625 | 24.61 | 2 | 0.08 | 6 | 0.24 | 12 | 11 |
| CRP 700 | 557 383 | 146 | 5.75 | 725 | 28.54 | 2.5 | 0.10 | 6 | 0.24 | 14 | 13 |

3. INSTALLATION

Montage mural / Wall mounting



Montage IPN-IPE / IPN-IPE mounting



CPS (daN) : charge pratique de sécurité / Safe working load

| CRP 100 | CRP 200 | CRP 300 | CRP 400 | CRP 500 | CRP 600 | CRP 700 |
|---------|---------|---------|---------|---------|---------|---------|
| 100 | 180 | 270 | 210 | 370 | 360 | 380 |

CPS (daN) : charge pratique de sécurité / Safe working load

| CRP 100 | CRP 200 | CRP 300 | CRP 400 | CRP 500 | CRP 600 | CRP 700 |
|---------|---------|---------|---------|---------|---------|---------|
| 70 | 170 | 270 | 210 | 190 | 170 | 200 |