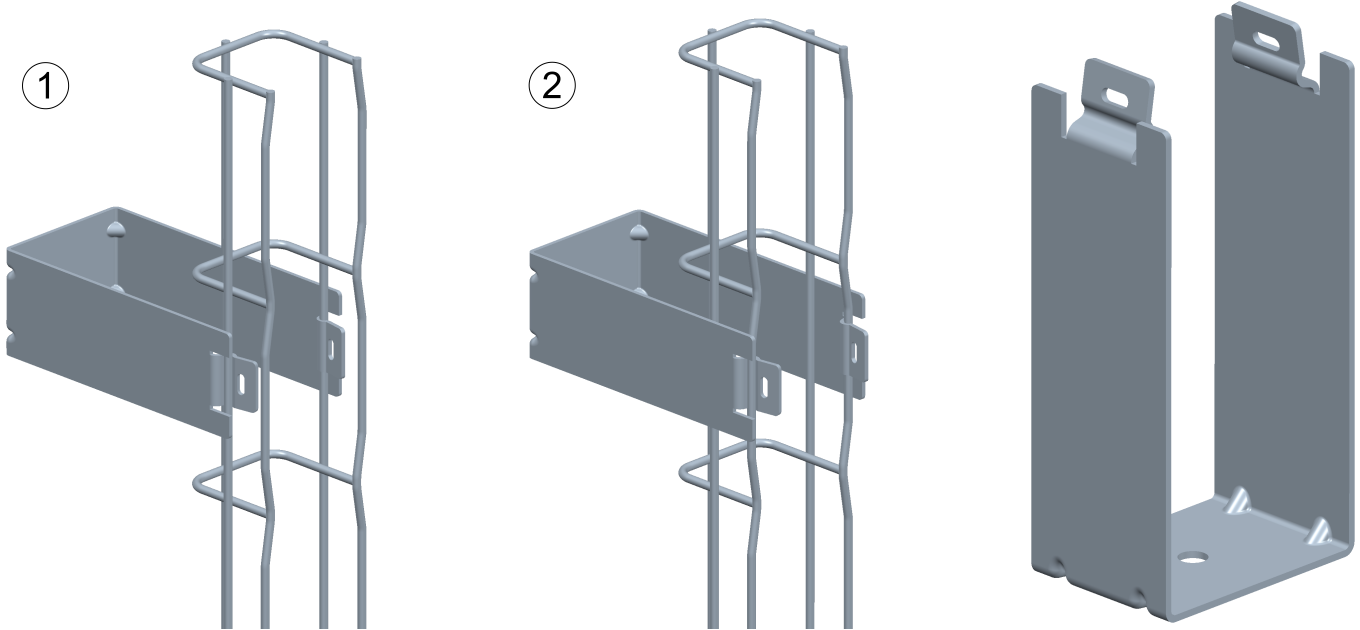
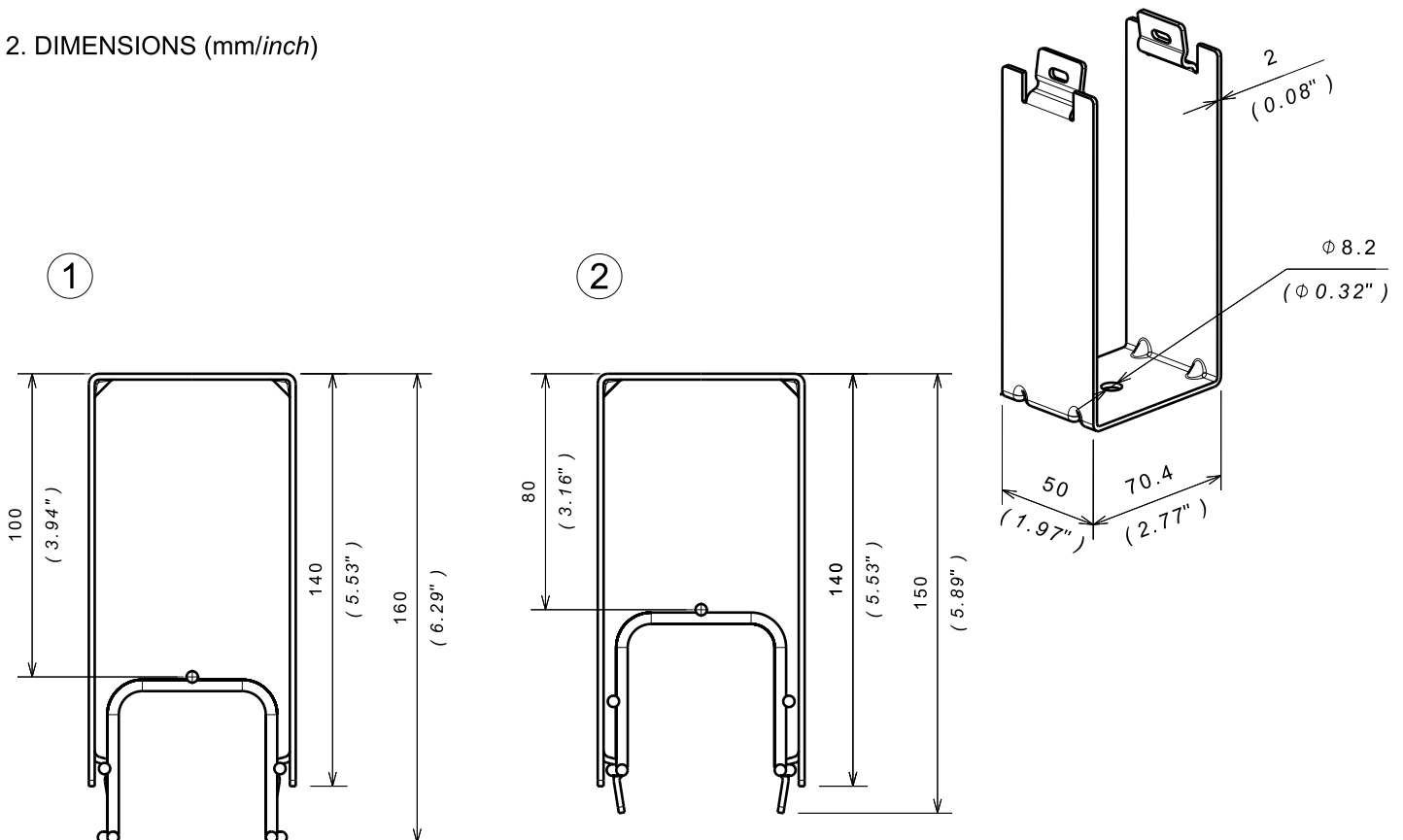


**UC100/50 FBV50 - CONSOLE AGROALIMENTAIRE
UC100/50 FBV50 - FOOD BRACKET**

Reference(s) : 595 930 / 37


1. GAMME / RANGE

Designation	Code	Poids / Weight (Kg) (lb)		Epaisseur / Thickness (mm) (inch)		Matière / Material	Norme / Standard	Finition / Coating	Classe de résistance contre la corrosion / Class for resistance against corrosion
UC100/50 ZnMg	595 937	0.279	0.615	2	0.079	DX51D ZM	EN 10 346	ZnMg	Class 8 / IEC 61537
UC100/50 FBV50 304L	595 930	0.285	0.628	2	0.079	X2 Cr Ni 18-9	EN 10 088-2	IN304L / SS304L	Class 9A / IEC 61537

2. DIMENSIONS (mm/inch)


UC100/50 FBV50 - CONSOLE AGROALIMENTAIRE
UC100/50 FBV50 - FOOD BRACKET

Reference(s) : 595 930 / 37

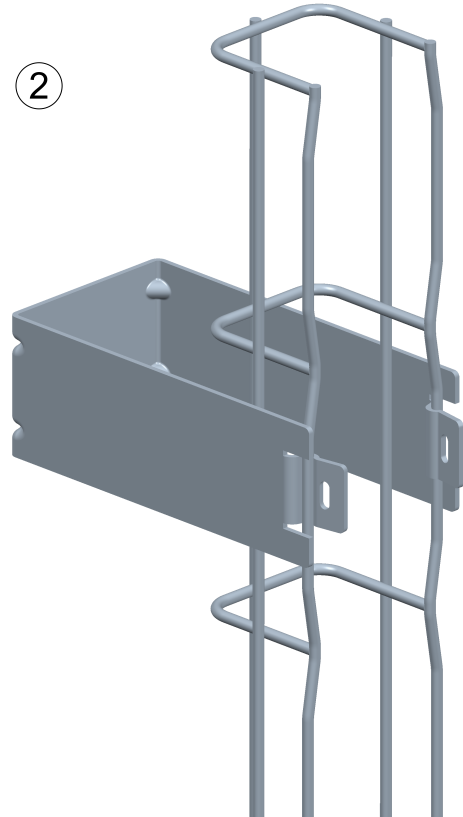
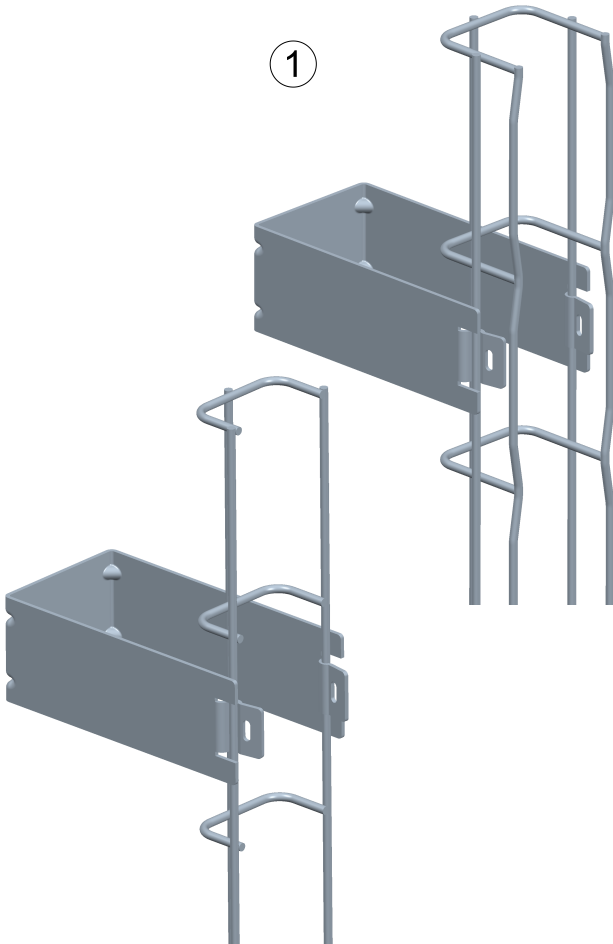
3. INSTALLATION / MOUNTING

 Montage en vertical seulement /
 Vertical mounting only

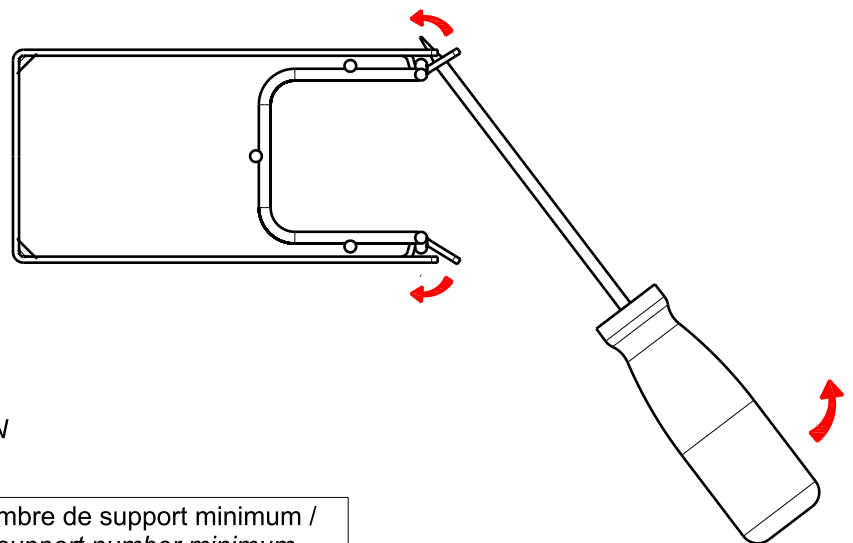

CF30/50 - CF54/50



CF54/50



Verrouillage / Locking


4. RECOMMANDATION / RECOMMENDATION

portée / span (m / inch)		nombre de support minimum / support number minimum
		CF30/50 - CF54/50
1	39.4	1
1.5	59.1	1