

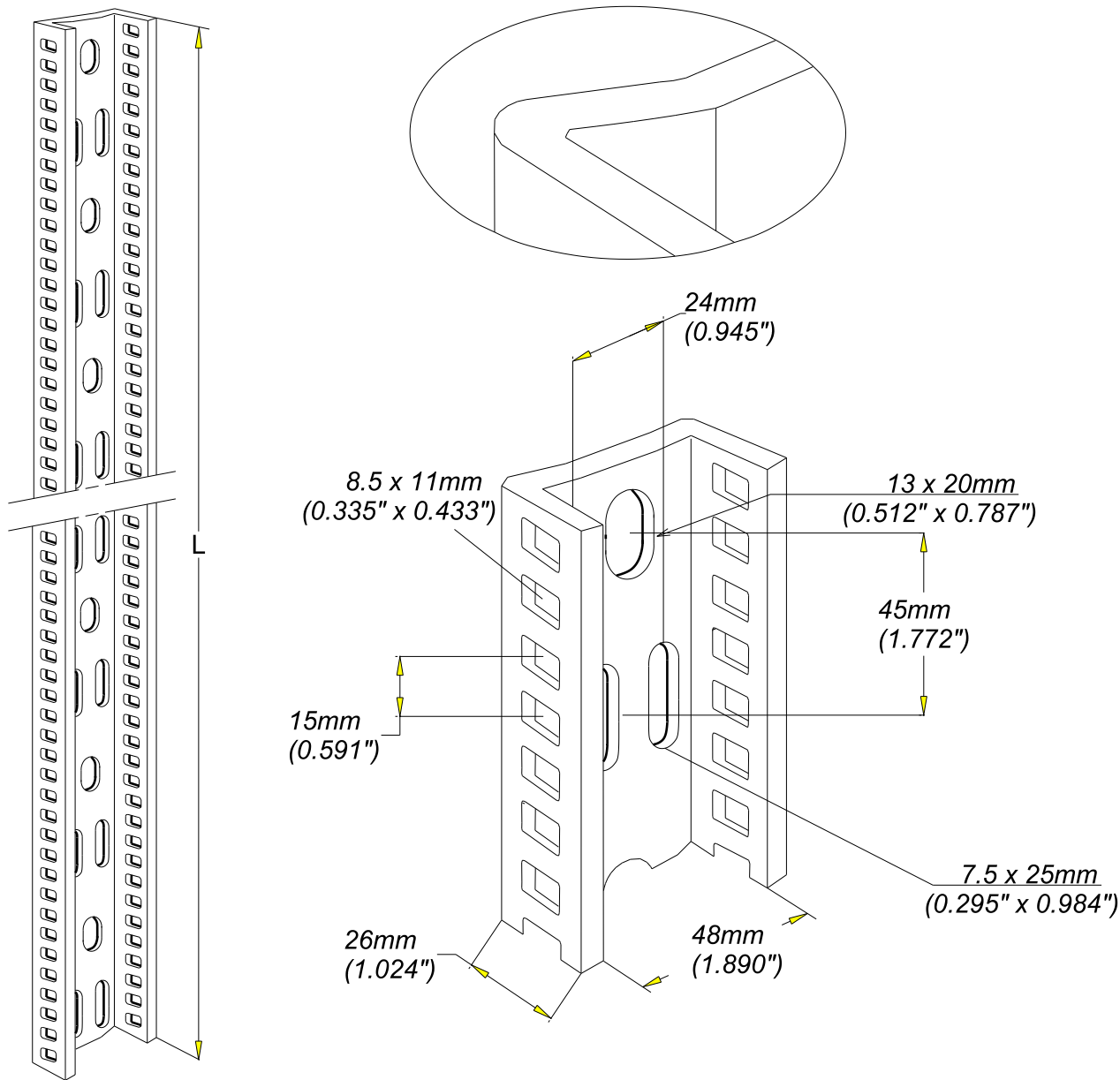
ECHELLE EDF EDF RISER

316L
316L

CABLOFIL®
INNOVATORS IN CABLE MANAGEMENT

FT0204-4

04-18



REF	CODE	POIDS (Kg/m)	WEIGHT (lb/ft)	L (mm)	L (inch)
EDF2/2000	561 014	1.540	1.035	1980	77.95
EDF2/3000	561 024	1.540	1.035	2970	116.9

EPAISSEUR / THICKNESS 2 / (0.08")	NORME / STANDARD
MATIERE / MATERIAL X2 Cr Ni Mo 17-12-2	EN 10088-2
PROTECTION / COATING 316L	