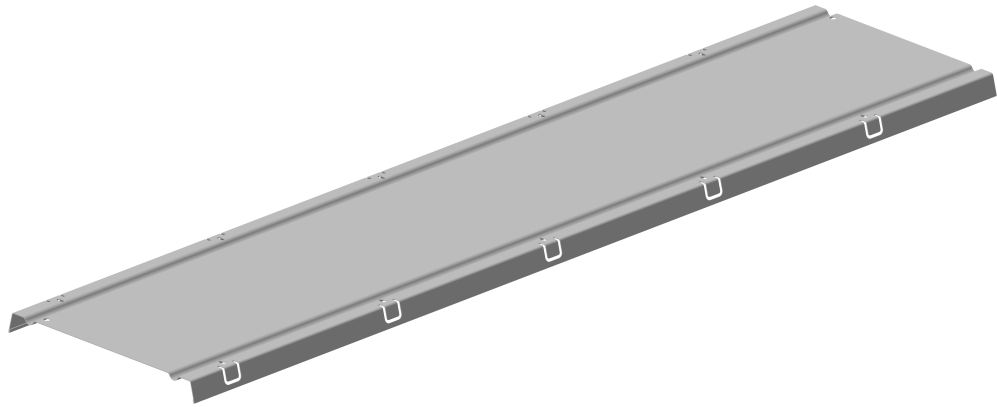


**COUVERCLE CVN
CVN COVER**

Reference(s) : 629 050/053/054/056/100/103/104/106
629 150/153/154/156/200/203/204/206
629 300/303/304/306/400/403/404/406
629 450/453/454/456/500/503/504/506
629 600/603/604/606



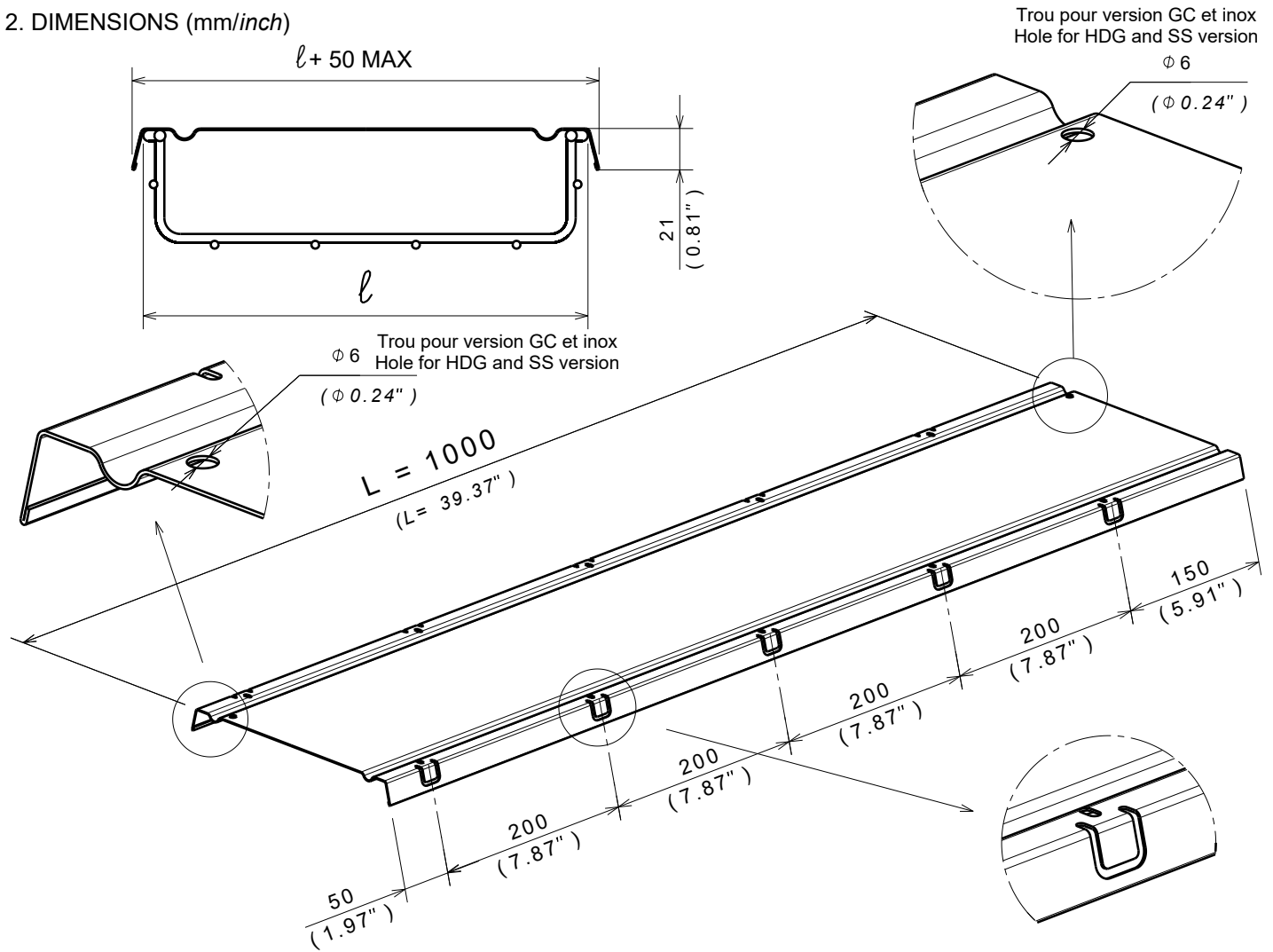
1. GAMME / RANGE

Designation	Code	Poids / Weight (kg) (lb)		Epaisseur / Thickness (mm) (inch)		ℓ (mm) (inch)		L (mm) (inch)	Matière / Material	Norme / Standard	Finition / Coating	Classe de résistance contre la corrosion / Resistance class against corrosion		
CVN 50 GS	629 050	0,614	1,354	0,6	0,024	71	2,795	1000	39,37	DX51D Z275	EN 10 346	GS/PG	Class 3 / IEC 61537	
CVN 100 GS	629 100	0,854	1,883			121	4,764							
CVN 150 GS	629 150	1,094	2,412			171	6,732							
CVN 200 GS	629 200	1,334	2,941			221	8,701							
CVN 300 GS	629 300	1,819	4,010			322	12,677							
CVN 400 GS	629 400	3,084	6,799	0,75	0,030	425	16,732	1000	39,37	DX51D Z275	EN 10 346	GS/PG	Class 3 / IEC 61537	
CVN 450 GS	629 450	3,405	7,507			475	18,701							
CVN 500 GS	629 500	3,725	8,212			525	20,669							
CVN 600 GS	629 600	4,365	9,623			625	24,606							
CVN 50 GC	629 053	0,657	1,448	0,6	0,024	71	2,795	1000	39,37	DC01	EN 10 130	GC/HDG	Class 6 / IEC 61537	
CVN 100 GC	629 103	0,914	2,015			121	4,764							
CVN 150 GC	629 153	1,171	2,581			171	6,732							
CVN 200 GC	629 203	1,427	3,147			221	8,701							
CVN 300 GC	629 303	1,946	4,291	0,8	0,031	322	12,677	1000	39,37	DC01	EN 10 130	GC/HDG	Class 6 / IEC 61537	
CVN 400 GC	629 403	3,520	7,761			425	16,732							
CVN 450 GC	629 453	3,886	8,568			475	18,701							
CVN 500 GC	629 503	4,252	9,374			525	20,669							
CVN 600 GC	629 603	4,982	10,983	625	24,606	0,8	0,031	1000	39,37	DX51D ZM310	EN 10 346	ZnMg-HR	Class 8 / IEC 61537	
CVN 50 ZnMg-HR	629 056	0,819	1,806	71	2,795									
CVN 100 ZnMg-HR	629 106	1,139	2,511	121	4,764									
CVN 150 ZnMg-HR	629 156	1,459	3,217	171	6,732									
CVN 200 ZnMg-HR	629 206	1,779	3,922	221	8,701									
CVN 300 ZnMg-HR	629 306	2,426	5,348	322	12,677									
CVN 400 ZnMg-HR	629 406	3,290	7,253	425	16,732									
CVN 450 ZnMg-HR	629 456	3,632	8,007	475	18,701									
CVN 500 ZnMg-HR	629 506	3,974	8,761	525	20,669									
CVN 600 ZnMg-HR	629 606	4,656	10,265	625	24,606	0,6	0,024	1000	39,37	X2 Cr Ni Mo 17-12-2	EN 10 088-2	IN316L / SS316L	Class 9D / IEC 61537	
CVN 50 SS316L	629 054	0,629	1,386	71	2,795									
CVN 100 SS316L	629 104	0,874	1,928	121	4,764									
CVN 150 SS316L	629 154	1,120	2,470	171	6,732									
CVN 200 SS316L	629 204	1,366	3,012	221	8,701									
CVN 300 SS316L	629 304	1,863	4,106	322	12,677	0,8	0,031	1000	39,37	X2 Cr Ni Mo 17-12-2	EN 10 088-2	IN316L / SS316L	Class 9D / IEC 61537	
CVN 400 SS316L	629 404	3,158	6,962	425	16,732									
CVN 450 SS316L	629 454	3,719	8,199	475	18,701									
CVN 500 SS316L	629 504	3,814	8,409	525	20,669									
CVN 600 SS316L	629 604	4,470	9,854	625	24,606									

**COUVERCLE CVN
CVN COVER**

Reference(s) : 629 050/053/054/056/100/103/104/106
629 150/153/154/156/200/203/204/206
629 300/303/304/306/400/403/404/406
629 450/453/454/456/500/503/504/506
629 600/603/604/606

2. DIMENSIONS (mm/inch)



3. INSTALLATION

