

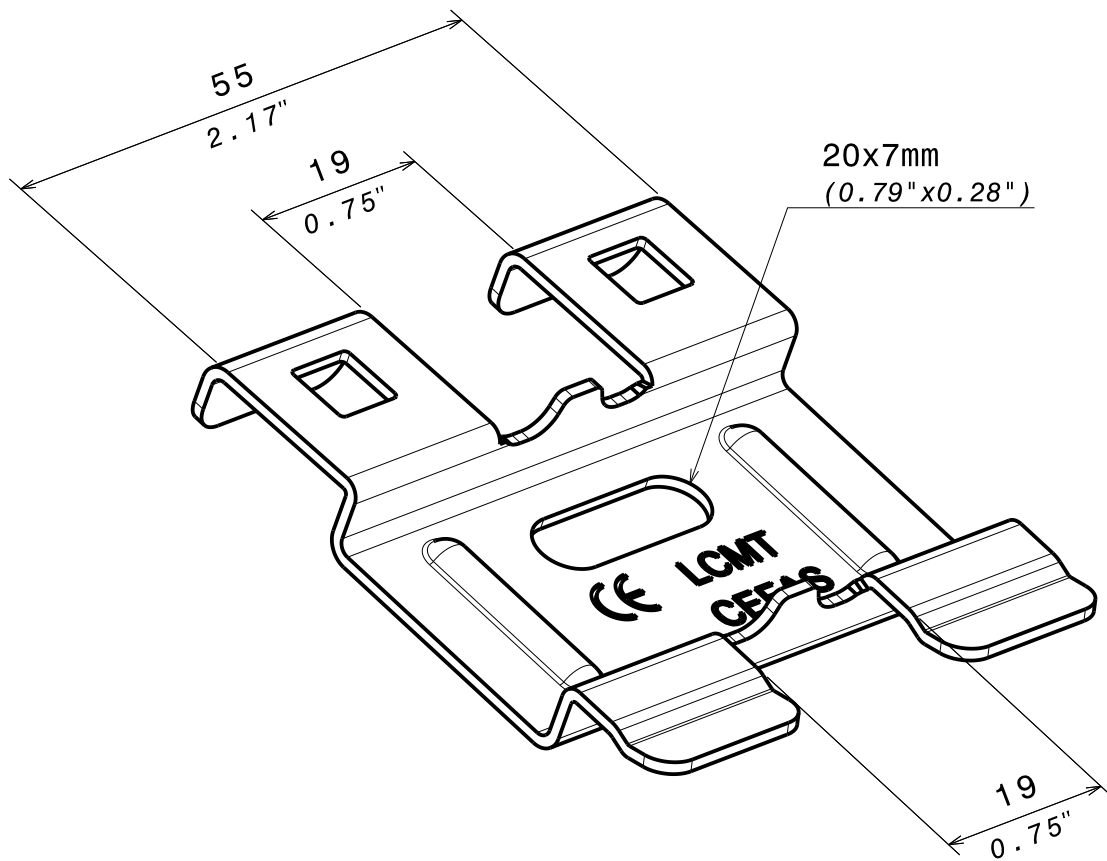
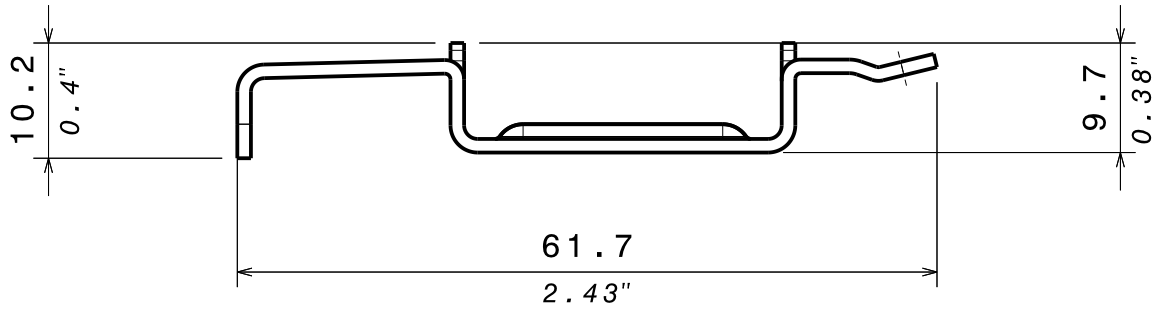
CE FAS

ZnL

CABLOFIL®
INNOVATORS IN CABLE MANAGEMENT

FT0495-7

01-20



REF	CODE	POIDS (kg)	WEIGHT (lb)	EPAISSEUR / THICKNESS	
CE FAS	558 417	0.036	0.07	1.2	(0.04")

Material	Standard
DC01	EN 10130
Finition Coating	Standard
ZnL	Class 6 according to CEI 61537

Propriété exclusive de CABLOFIL, ne peut être ni copié, ni transmis à des tiers sans autorisation écrite.
Exclusive property of CABLOFIL shouldn't be reproduced or transmitted to any people without written authorization