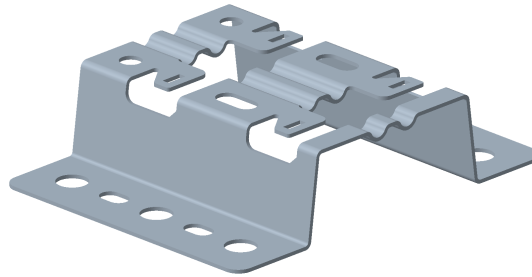


REHAUSSE R25
R25 STAND OFF BRACKET

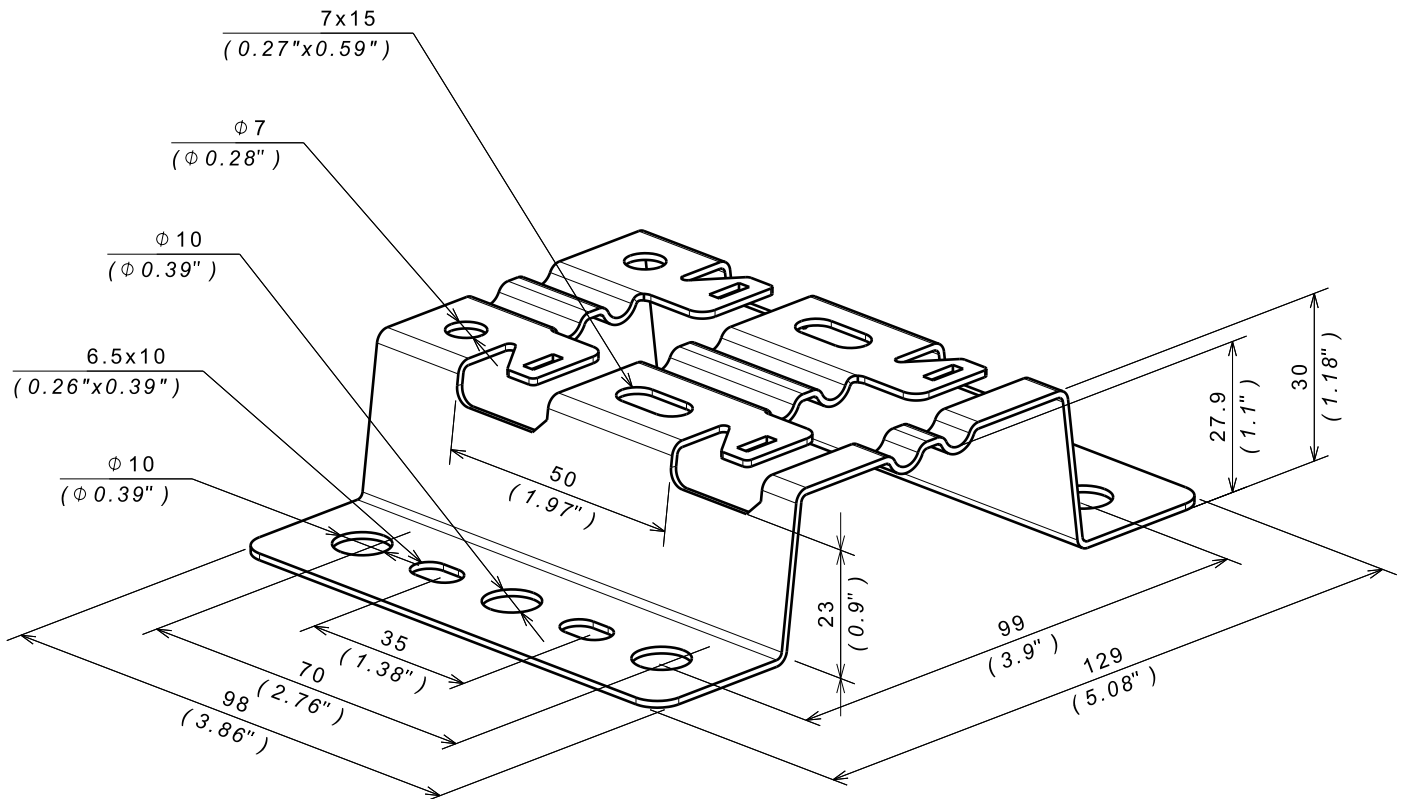
Reference(s) : 586 640/44/47



1. RANGE

Designation	Code	Poids* / Weight* (Kg) / (lb)		Epaisseur / Thickness (mm) / (inch)		Matière / Material	Norme / Standard	Finition / Coating	Classe de résistance contre la corrosion/ Class for resistance against corrosion
R25 GS	586 640	0.126	0.278	1.2	0.05"	DX 51 D Z275 MAC	EN 10346	GS / PG	Class 3 / IEC 61537
R25 ZnMg	586 647	0.126	0.278	1.2	0.05"	DX 51 D ZM140-310 MAC	EN 10346	ZnMg	Class 8 / IEC 61537
R25 SS316L	586 644	0.129	0.285	1.2	0.05"	X2 Cr Ni Mo 17-12-2	EN 10088-2	INOX316L / SS316L	Class 9D / IEC 61537

2. DIMENSIONS (mm/inch)



REHAUSSE R25
R25 STAND OFF BRACKET

Reference(s) : 586 640/44/47

3. INSTALLATION

