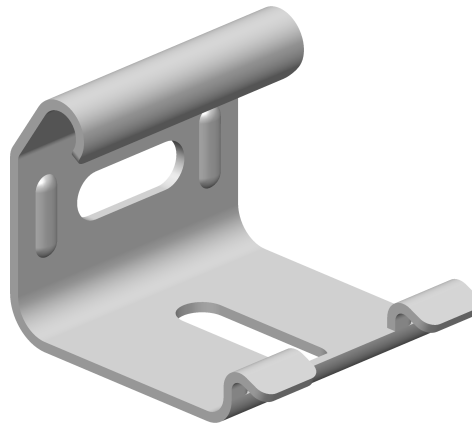


**CONSOLE CAT40
 CAT40 BRACKET**

Reference(s) : 586 190/194/197



1. GAMME / RANGE

Designation	Code	Poids / Weight (Kg) (lb)		Epaisseur / Thickness (mm) (inch)		Matière / Material	Norme / Standard	Finition / Coating	Classe de résistance contre la corrosion / Resistance class against corrosion
CAT40 GS	586 190	0.047	0.104	1.5	0.059	DX51D Z275	GS / PG	GS / PG	Class 3 / IEC 61537
CAT40 ZnNi	586 197					S 235 JR	EN 10 025	ZnNi	Class 8 / IEC 61537
CAT40 316L	586 194					X2 Cr Ni Mo17-12-2	EN 10 088-2	IN 316L / SS316L	Class 9D / IEC 61537

2. DIMENSIONS (mm/inch)

