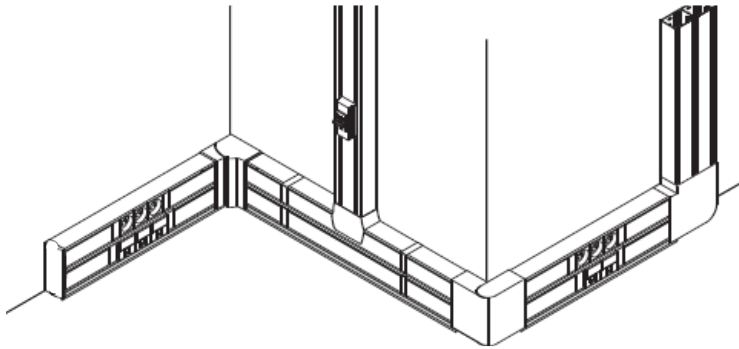


DLP-S Trunking

Number(s) : 6 038 57, 6 117 88/89, 6 380 00/01, 6 380 05, 6 380 08, 6 380 11 to 13, 6 380 17 to 36, 6 380 38, 6 380 40 to 56, 6 380 71/72/73



SOMMAIRE	PAGES
1.Trunking	1 to 2
2.Accessories	3 to 7
3.Technical chacteristiques	8
4.Material chacteristiques	8

1. TRUNKING.

DLP-S trunking offers:

- the distribution, the protection and the derivation of the various cables in an electrical installation.
- trunkings, finishing accessories (end, joint of lid, joint of body, interior angle, exterior angle, flat angle, derivation)
- all the easy ways/advantages for the installation.
- comply with the standard EN 50085-2-1, safety and technical performance.
- a flexibility with the installation and maintenance:

5 references of trunkings delivered with a cover of 45/75mm:

Note that we have 2 types of trunking:

Trunking with cover 45mm is a "Snap-on trunking"
Trunking with cover 75mm is a "Universal trunking"

This new trunking will allow the universal direct clips of all the mechanisms 45x45 of the market

Perforation of the body of the trunking.

Fixing by:

- wall plugs for immediate fixing (without screw nor nail ref. 30899)
- DLP rapid wall plug ref 0 308 97 (for 10mm maxi plasterboard walls at least 20mm away from the concrete surface)
- screw, nails...

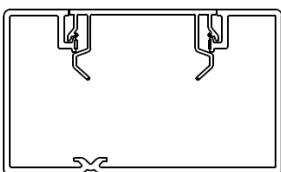
Cut out using a saw (standard hacksaw)

Possibility of adapting separation partition.

1.1. Snap-on Trunking :

References	Body	Pack
6 380 20	85x50	24m
6 380 30	100x50	12m
6 380 40	130x50	12m

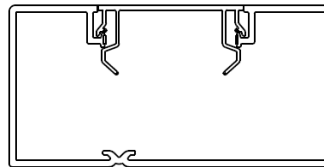
85x50 ref 6 380 20



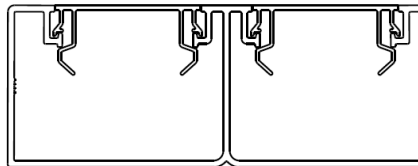
1. TRUNKING (continuation)

1.1. Snap-on Trunking (continuation)

100x50 ref 6 380 30



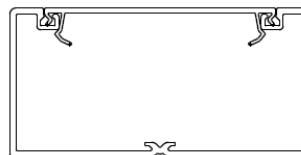
130x50 ref 6 380 40



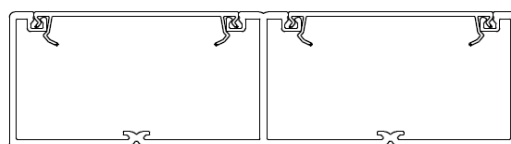
1.2. Universal Trunking :

References	Body	Pack
6 380 38	100x50 Universal	12m
6 380 50	190x50 Universal	12m

100x50 ref 6 380 38

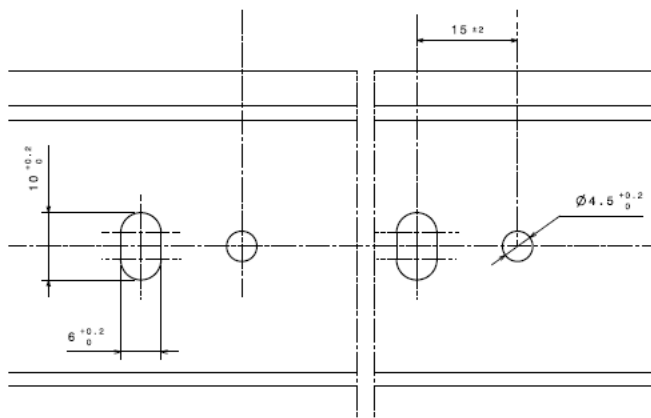


190x50 ref 6 380 50



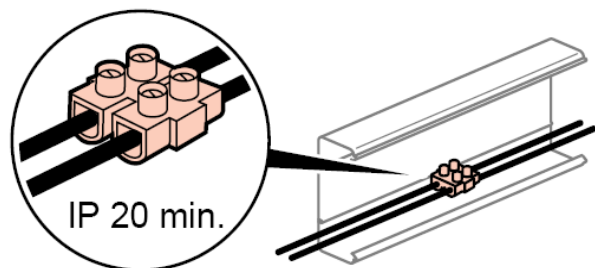
1. TRUNKING (continuation)

Dimensions of holes in funds of the bodies:



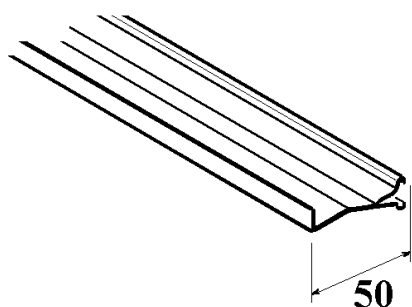
Funds of the bodies provided with holes for fixing, facilitating the upgrade of the trunking (balance/slope)

Attention with use of conductors inside the sections



Inside the trunkings, connection of the conductors using "domino" to respect the IP 20 mini.

1.3. Partitions PVC ref 6 380 08:



Delivered in length of 2m
Grey Color.

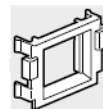
For the separation of various types of currents allows (sector, telephone, data processing...)

Assembly with the body by clipsage (only on trunking 85x50 - 100x50 and 190x50)

Pack by 26m

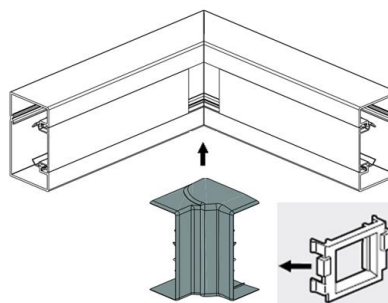
2. ACCESSORIES

To install accessories below with universal trunking 100x50 ref 6 380 38, please use the adaptor delivered with accessories



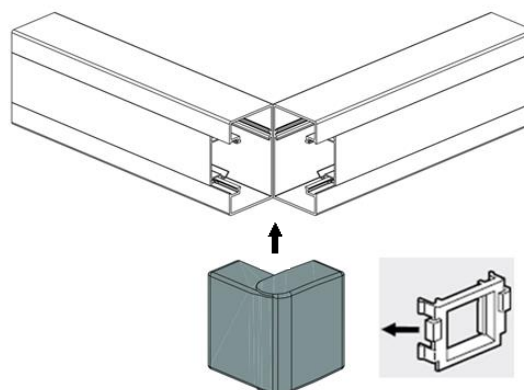
Example with internal angle:

To use with an 100x50 ref 6 380 38, please use the adaptor (delivered with internal angle) for mounting the angle:



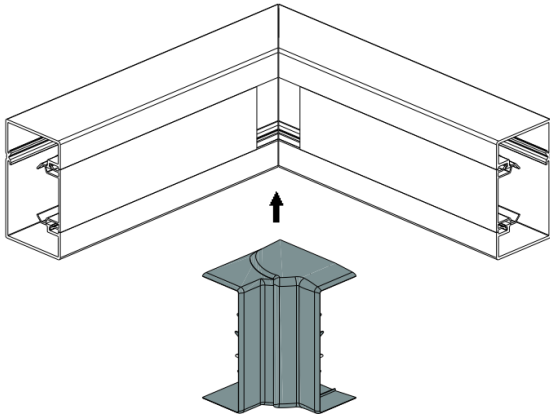
Example with External angle:

To use with an 100x50 ref 6 380 38, please use the adaptor (delivered with External angle) for mounting the angle:



2. ACCESSORIES (continuation)

2.1 Internal angle ref: 6 380 11/ 17/ 21/ 27/ 31/ 41/ 47/ 51



The junction in interior angle of two pieces of the same section:
 - respects the degree protection
 - improves aesthetics (covering of the cut)

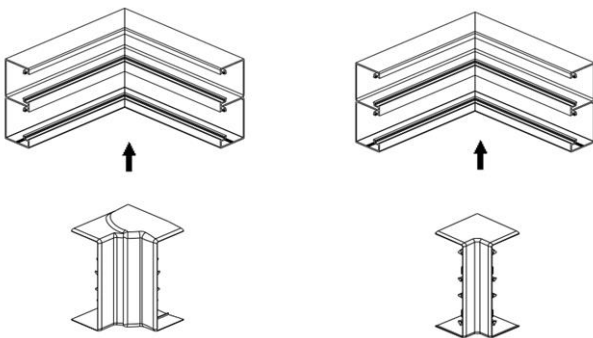
Variable internal angles from 80 to 120°.

White color.

Snap-fit assembly on the body.

Note: For DLP 100x50 Universal trunking ref 6 380 38, use the special adaptor (please look at page 2)

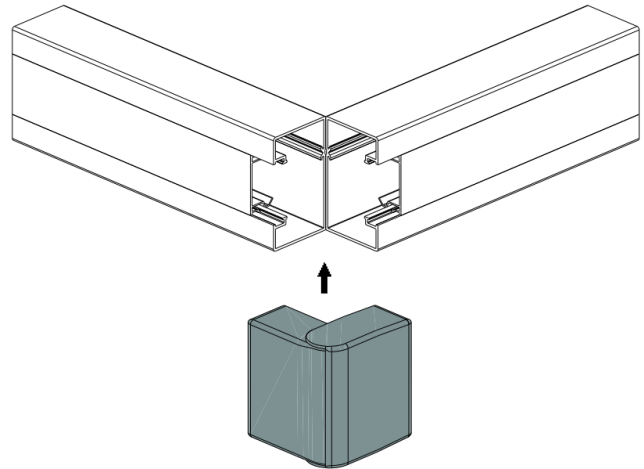
Positioning of trunking :



Variable internal angle	Sections	Pack
6 380 21	85x50 snap-on	10
6 380 31	100x50 snap-on & 100x50 Universal	8
6 380 41	130x50 snap-on	10
6 380 51	190x50 Universal	5
Fixed internal angle	Sections	Pack
6 380 27	85x50 snap-on	16
6 380 11	100x50 Universal	8
6 380 17	100x50 snap-on	20
6 380 47	130x50 snap-on	8

2. ACCESSORIES (continuation)

2.2 External angle ref: 6 380 12/ 18/ 22/ 28/ 32/ 42/ 48/ 52



The junction in exterior angle of two pieces of the same section:
 - respects the degree protection
 - improves aesthetics (covering of the cut)

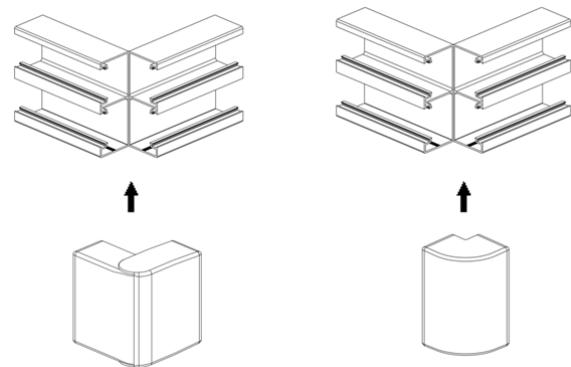
Variable external angles from 60 to 120°.

White color.

Snap-fit assembly on the body.

Note: For DLP 100x50 Universal trunking ref 6 380 38, use the special adaptor (please look at page 2)

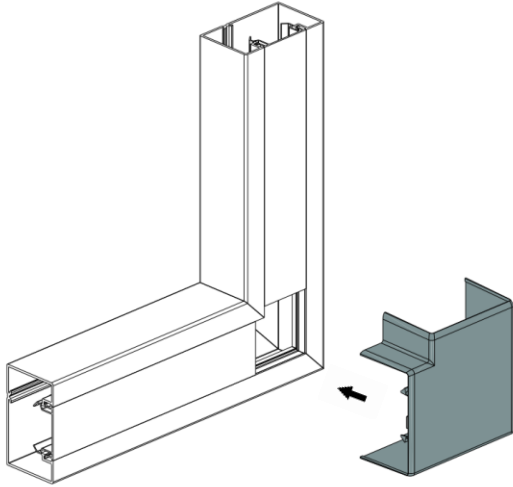
Positioning of trunking :



Variable external angle	Sections	Pack
6 380 22	85x50 snap-on	10
6 380 32	100x50 snap-on & 100x50 Universal	8
6 380 42	130x50 snap-on	10
6 380 52	190x50 Universal	5
Fixed external angle	Sections	Pack
6 380 28	85x50 snap-on	16
6 380 12	100x50 Universal	8
6 380 18	100x50 snap-on	20
6 380 48	130x50 snap-on	8

2. ACCESSORIES (continuation)

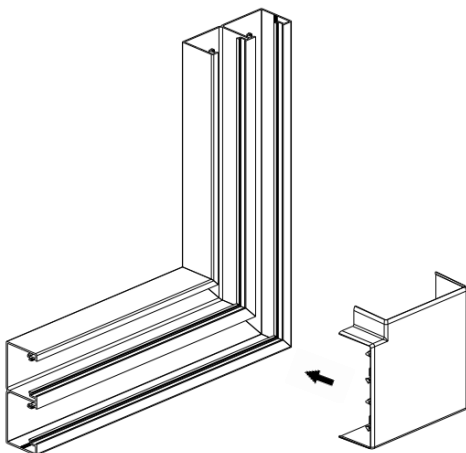
2.3 Flat angle ref: 6 380 13/ 19/ 29/ 49/ 53



The junction in flat angle of two same sections :
 - respects of the degree protection
 - preserves the distribution of the various currents
 - improves aesthetics (covering of the cut)
 Snap-fit assembly on the body.

White color.

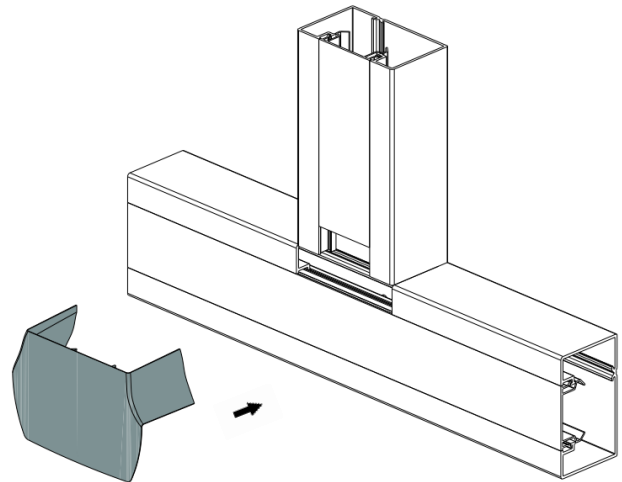
Angles not variable (fixed at 90°)
 The flat angles are delivered with 2 elements.



Flat angle	Sections	Pack
6 380 29	85x50 snap-on	8
6 380 19	100x50 snap-on	16
6 380 13	100x50 Universal	16
6 380 49	130x50 snap-on	8
6 380 53	190x50 Universal	5

2. ACCESSORIES (continuation)

2.4. Flat junction ref. 6 380 24/ 34/ 44/ 54



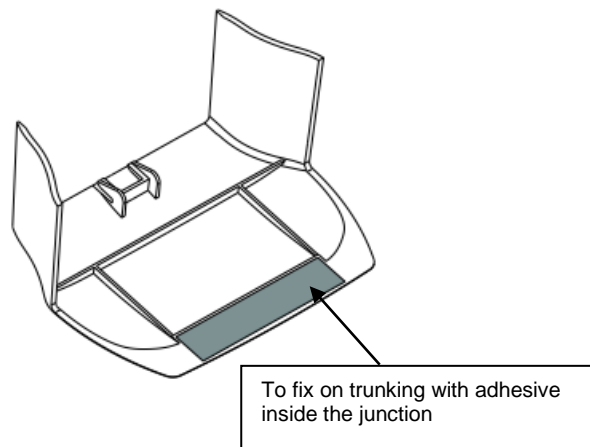
The junction in "T" :
 - respects of the degree protection
 - improves aesthetics (covering of the cut)
 Snap-fit assembly on the body.

Note: For DLP 100x50 Universal trunking ref 638 038, use the special adaptor (please look at page 2)

White color.

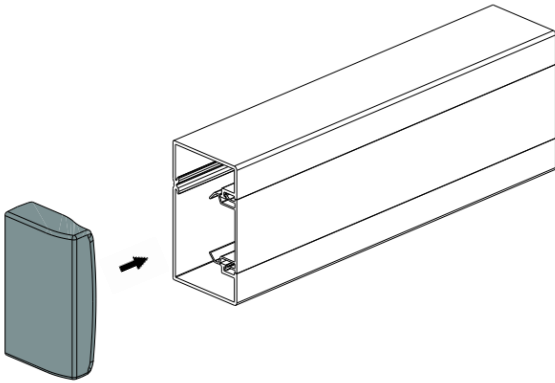
Flat junction	Sections	Pack
6 380 24	85x50 snap-on	5
6 380 34	100x50 snap-on & Universal	5
6 380 44	130x50	5
6 380 54	190x50	5

« T junction » with adhesive for trunking 130 and 190



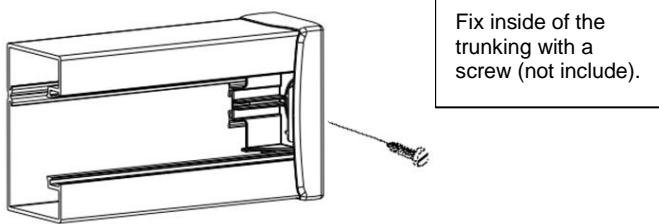
2. ACCESSORIES (continuation)

2.5. End cap ref : 6 380 25/ 35/ 45/ 55



Allows to block the end of the body:
 - respect of the degree protection
 - improvement of aesthetics (covering of the cut)
 - left or right end cap
 Assembly on the body by fitment and screwing.

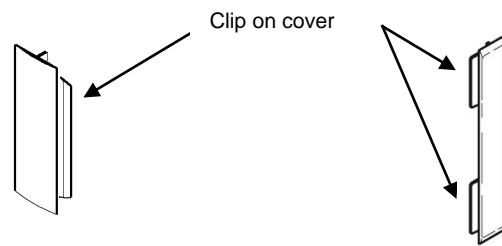
White color.



End cap	Sections	Pack
6 380 25	85x50 snap-on	10
6 380 35	100x50 snap-on & Universal	10
6 380 45	130x50 snap-on	10
6 380 55	190x50 Universal	5

2. ACCESSORIES (continuation)

2.6 Cover joint ref: 6 380 00/ 01

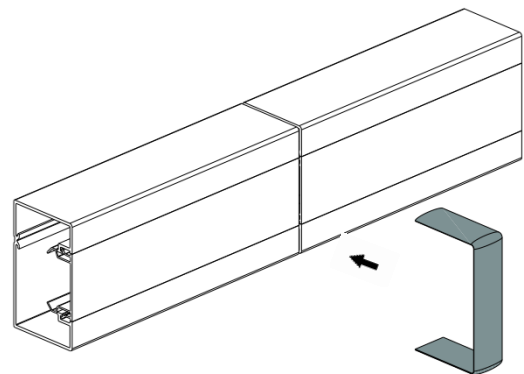


Allows:
 - the junction end to end of two covers
 - the respect of the degree protection
 - to improve aesthetics (covering of the cut)

White color.

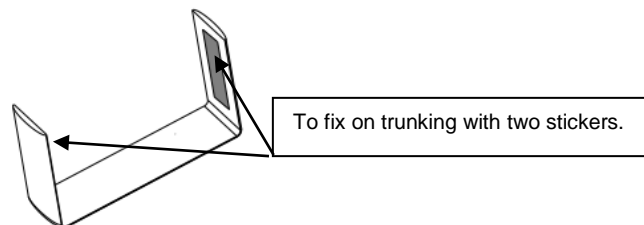
Cover joint	Sections	Pack
6 380 00	Cover 45mm	10
6 380 01	Cover 75 mm	10

2.7 Body joint ref: 6 380 26/ 36/ 46/ 56



Allows:
 - the junction end to end of two covers
 - the respect of the degree protection
 - to improve aesthetics (covering of the cut)
 To fix on the body with two stickers.

White color.



Body joint	Sections	Pack
6 380 26	85x50 snap-on	10
6 380 36	100x50 snap-on & Universal	10
6 380 46	130x50 snap-on	10
6 380 56	190x50 Universal	5

2. ACCESSORIES (continuation)

2.8 Normaclip ref. 6 038 57.

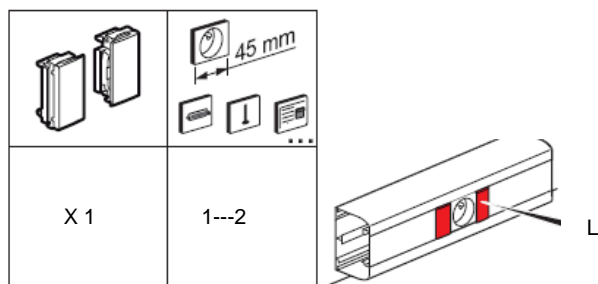
Accessory for fixing wiring devices inside the snap-on trunking.

Allows:

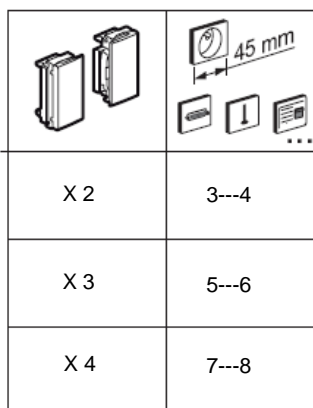
- anti-slip
- anti-pullout
- perfect finish
- respect of the degree protection (IP40)

Concerning the number max of Mosaic modules can be use between 2 Normaclip, please respect the installation below (as 1 pair for 8 modules max, 2 pairs for 16 modules etc...)

L ≤ 2 x 45mm



L > 3 x 45mm

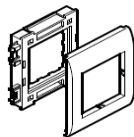


White color ref 6 038 57

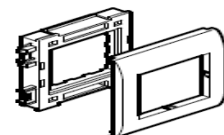
Pack by 10 (10 set of 2)

2. ACCESSORIES (continuation)

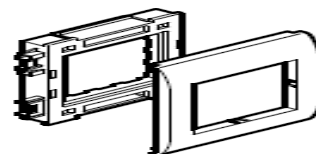
2.9 Supports ref 6 380 71/72/73



Ref 6 380 71



Ref 6 380 72



Ref 6 380 73

Supports delivered with finishing plate in white colour.

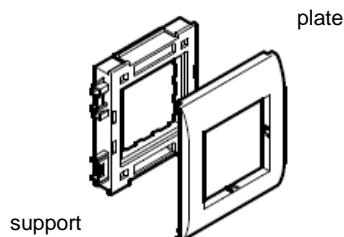
White color

Allows:

- the assembly on trunking equipped with lid 80mm of sockets 45x45 of 2/ 4/ 6 modules
- the assembly of the sockets 2 modules in horizontal position and vertical with supports 888 190 (only horizontal for the other supports)

References	Number of modules	Pack
6 380 71	2 modules	10
6 380 72	4 modules	5
6 380 73	6 modules	5

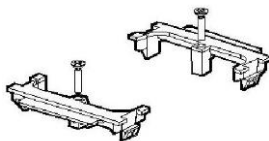
Dimensions :



	2 mod. 6 380 71	4 mod. 6 380 72	6 mod. 6 380 73
Support Lxl (mm)	58x73	123x73	168x73
Plate Lxl (mm)	65x78	130x78	175x78

2. ACCESSORIES (continuation)

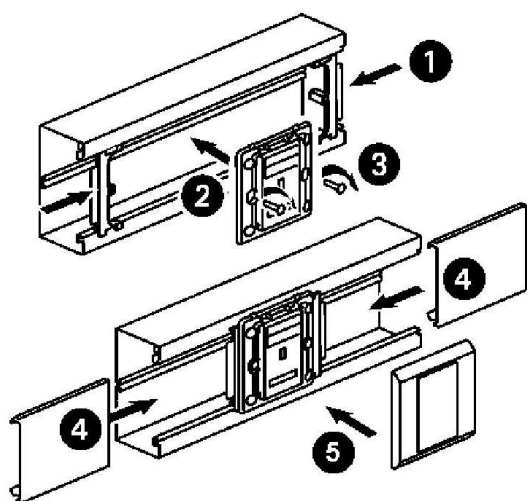
2.10 British standard Frame ref. 6 380 05



Set of 2 parts (delivered with insert and screws)

White colour
Packaging : 10

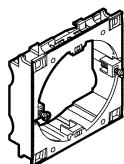
Allows :
- the assembly on trunking DLP-S Universal (80 mm cover) of Synergy, Mallia, Belanko wiring devices



2. ACCESSORIES (continuation)

2.11 Universal frame ref 6 117 88/89

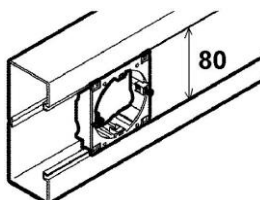
2.11.1 Fixation frame width 80 for any 60 mm fixing centres wiring devices 1P ref 6 117 88



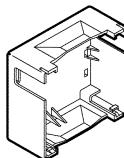
Snap-on frame
Possibility of putting frames next to each other

Grey color
Packaging : 5

Allows the assembly on trunking DLP-S Universal (80 mm cover) of wiring devices size 60 mm (Niloé, Kaptika...)

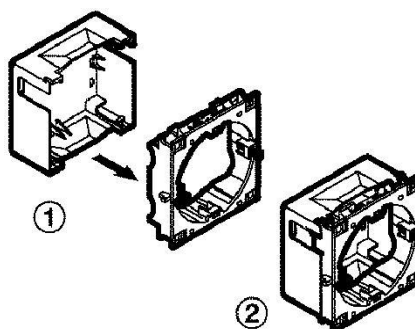


2.11.2 Back box 1 P for any 60 mm fixing centres wiring devices ref 6 117 89



Allows insulation wiring devices by clipping behind the frame ref. 6 117 88

Grey colour
Packaging : 5



3. TECHNICAL CHARACTERISTICS

Wiring capacity of DLP-S trunking:

Snap-on Trunking	Section mm ²	Capacity	Diameter max	3x1,5 mm ²	3x2,5 mm ²	UTP & FTP CAT.6
85x50 Ref 6 380 20	2940	Max	36	26	19	58
	2092	with 2P+E sockets		18	13	41
	2618	with RJ 45 socket		23	17	52
100x50 Ref 6 380 30	3400	Max	36	36	27	82
	2738	with 2P+E sockets		24	17	54
	3264	with RJ 45 socket		29	21	65
130x50 Ref 6 380 40 2 compartments	2646	Max	36	23	17	52
	1256	with 2P+E sockets		11	8	25
	1762	with RJ 45 socket		15	11	35
	2616	Max	36	23	17	52
	1206	with 2P+E sockets		10	7	24
	1732	with RJ 45 socket		15	11	34

Universal Trunking	Section mm ²	Capacity	Diameter max	3x1,5 mm ²	3x2,5 mm ²	UTP & FTP CAT.6
100x50 Ref 6 380 38	4224	Max	36	36	27	82
	2738	with 2P+E sockets		24	17	54
	3264	with RJ 45 socket		29	21	65
190x50 Ref 6 380 50 2 compartments	4017	Max	36	45	29	164
	-	with 2P+E sockets				
	-	with RJ 45 socket				
	4017	Max	36	45	29	164
	-	with 2P+E sockets		-	-	-
	-	with RJ 45 socket		-	-	-

Classification of DLP-S trunking EN 50085-2-1*

6.2 Resistance to impact for installation and application	2.0J
6.3 Minimum storage and transport temperature	- 25°C
6.3 Minimum installation and application temperature	- 5°C
6.3 Maximum application temperature	+ 60°C
6.4 Resistance to flame propagation	Non-flame propagating
6.5 Electrical continuity characteristic	Without electrical continuity characteristic
6.6 Electrical insulating characteristic	With electrical insulating characteristic
6.7 Degrees of protection provided by enclosure	IP40
6.9 The system access cover retention	With a tool
6.101 The position when surface mounted	Wall fixed Ceiling fixed
6.103 The functions provided	Type 1
Rated voltage	500 V
Protection against mechanical shocks	IK 07

Compositions and functions of DLP-S trunking (1 system per line) EN 50085-2-1 :

body	Trunking		End cap
	references	Section (mm ²)	
85x50	6 380 20	2940	6 380 25
100x50 snap-on	6 380 30	3400	6 380 35
100x50 U	6 380 38	4224	6 380 35
130x50 (2compart)	6 380 40	2646/2616	6 380 45
190x50 (2compart)	6 380 50	4017/4017	6 380 55

* complete information about system on demand

4. MATERIAL CHARACTERISTICS.

Trunking/cover/partition => PVC, conform to the Directive RoHS*1

Accessories => ABS conform to the Directive RoHS*

*1 RoHS designation :

Restriction of the use of certain Hazardous Substances, RoHS in the Equipements Electriques and Electroniques (EEE)