

# Cable Worm

Number(s) : 0 535 98



CONTENTS	PAGES
1.Cable Worm	1
2.Dimensions	2 to 3
3.Technical characteristics	3

## 1. CABLE WORM

The desk cable worm system has been designed to facilitate the management of cables between the floor and the desk.

The cable worm has two compartments allowing passage of various cables ensuring separation of currents.

### Installation :

For a standard installation, use the fixation accessory to attach the cable worm to the desk.

It is also possible to fix the cable worm under the desk using a screw inside the first ring.

### Length :

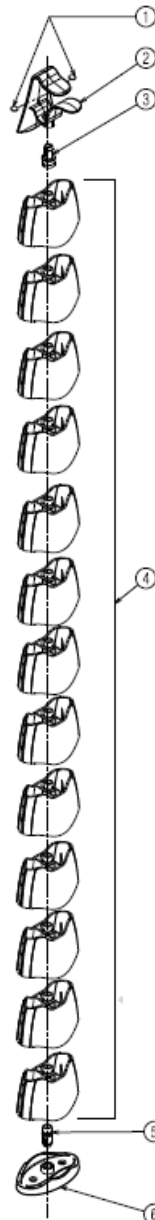
The length of the cable worm is 0.75m.

It is possible to change the length of the system by adding rings. (Please contact us).

### Wiring capacity :

- Minimum size of the cable: 2x0, 5mm<sup>2</sup> (5mm diameter) 20 on each side.
- Maximum size of the cable: 5x2, 5mm<sup>2</sup> (14mm diameter) 3 on each side.

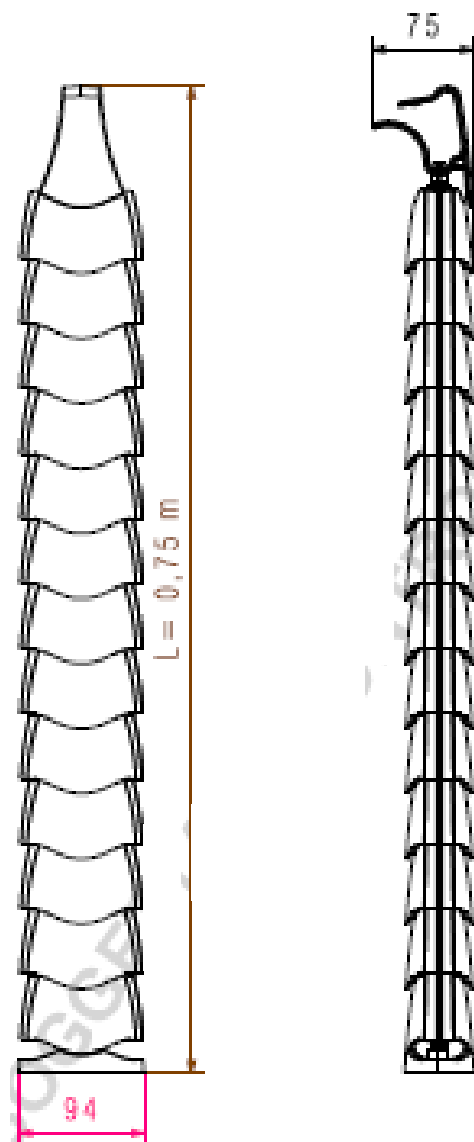
## 1. CABLE WORM (continued)



Position	Description	Part Number
1	Anti-slip clamp	2
2	Fixation accessory	1
3	Female clip	1
4	Rings	13
5	Male clip	1
6	Base	1

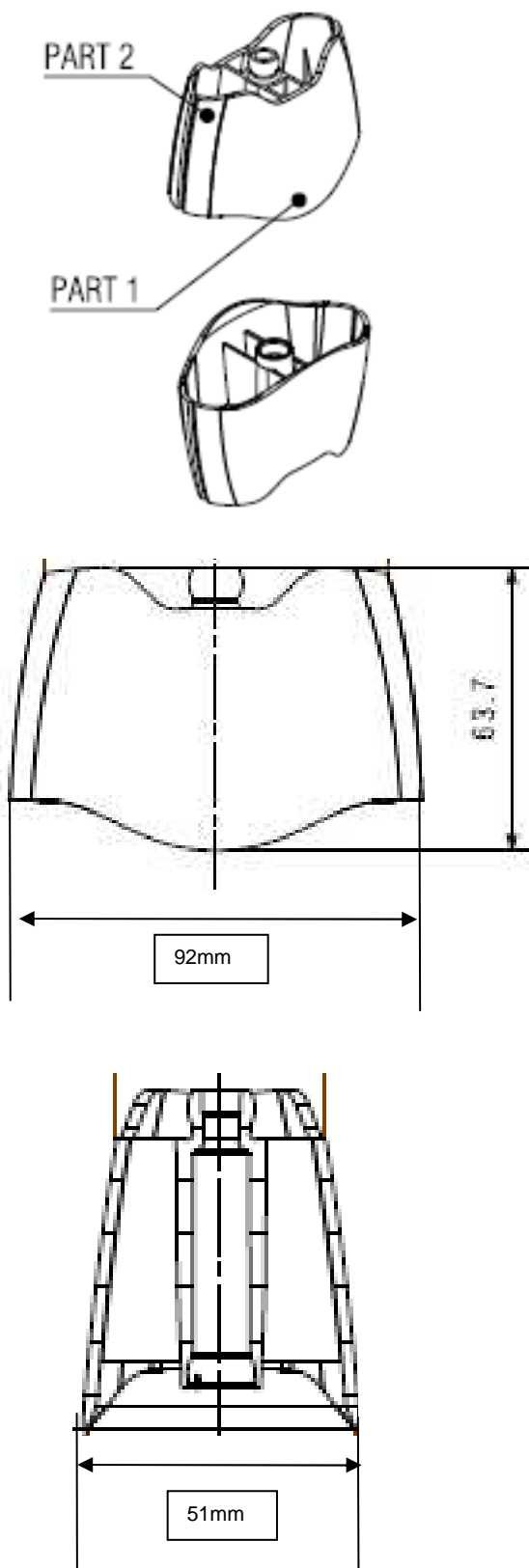
## 2. DIMENSIONS

Completed Cable Worm :



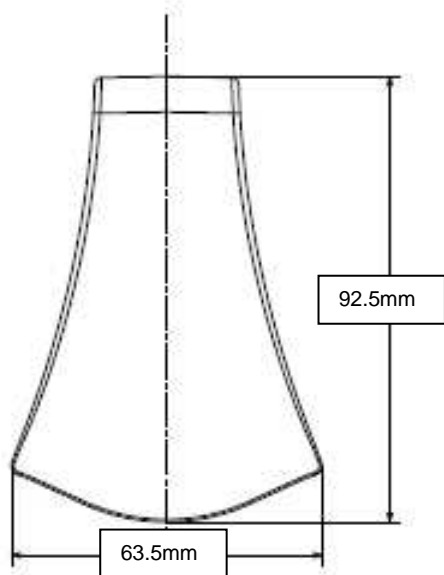
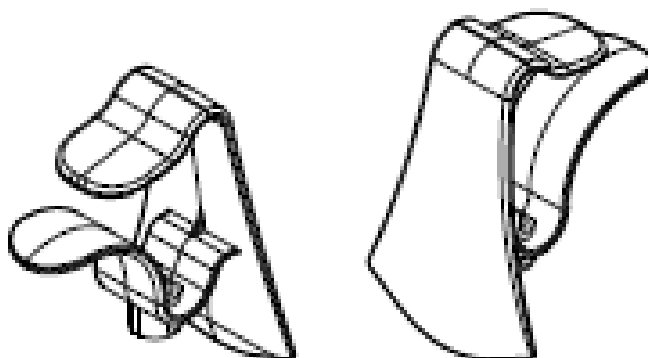
## 2. DIMENSIONS (continued)

Ring :



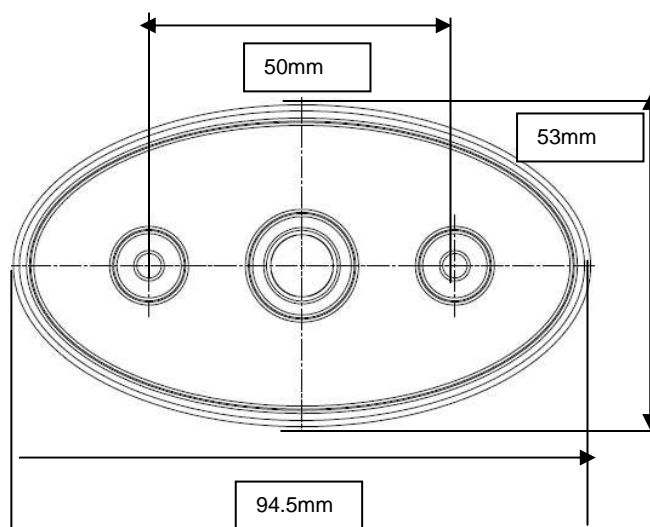
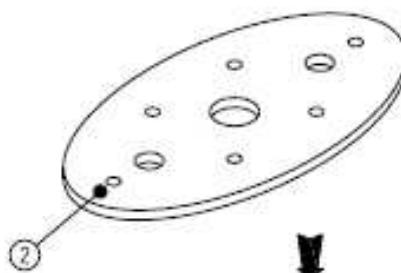
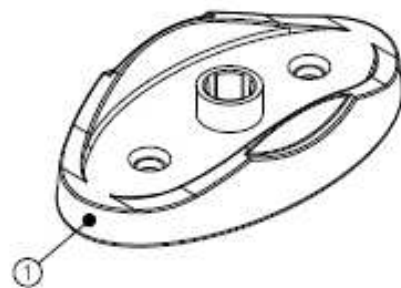
## 2. DIMENSIONS (continued)

Fixation accessory :



## 2. DIMENSIONS (continued)

Base :



## 3. TECHNICAL CHARACTERISTICS

- Ring white colour : ABS + thermoplastic polyurethane ( for the membrane)
- Fixation accessory: ABS
- Base : plastic part = EPDM  
Metal plate = FE