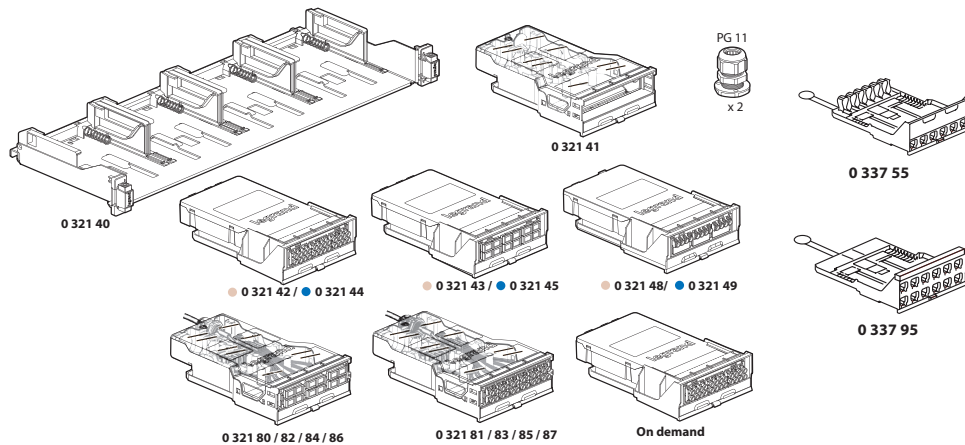


19" modular panels to be equipped with cassettes

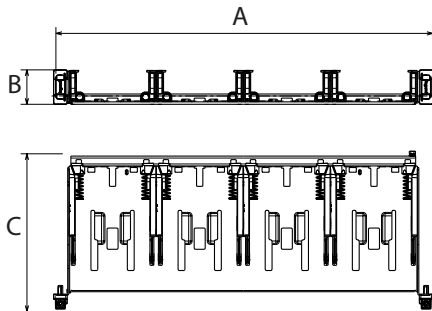
Cat. No(s): 0 321 10/11/12/13/14/15/16/17/18/19 - 0321 20/21 - 0 321 23/24/25/27
 0 321 33/34/36/37 - 0 321 40/41/42/43/44/45/46/47/48/49
 0 321 80/81/82/83/84/85/86/87 - 0 337 55/57/95 - On request



1. APPLICATION

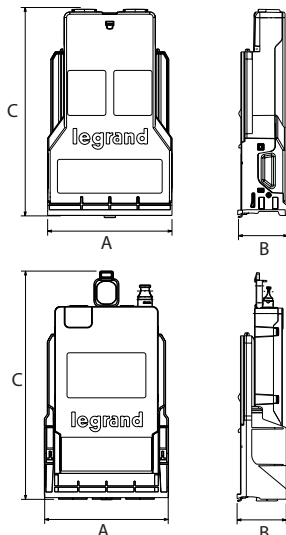
19" modular panels to be equipped with a maximum of 4 automatically removable cassettes. Equipped with the new-generation Soluclip system for automatic (screwless) fixing on rack or cabinet uprights. Universal mounting on all racks or cabinets with automatic earthing on unpainted uprights. Painted panels can be connected to earth with a cord and a screw connection.

2. PANEL DIMENSIONS (mm)



Cat. Nos.	A	B	C
0 321 40	479.5	43.8	201

3. CASSETTE DIMENSIONS (mm)



Cat. Nos. 0 321
 41/80/81/82/83/84/85/86/87

	A	B	C
032141 032180/81/82 032183/84/85 032186/87	110.3	43.7	185
032142/43/44 032145/48/49			200

Cat. Nos. 0 321
 42/43/44/45/48/49

4. CASSETTES FOR FIBRE OPTIC DRAWER

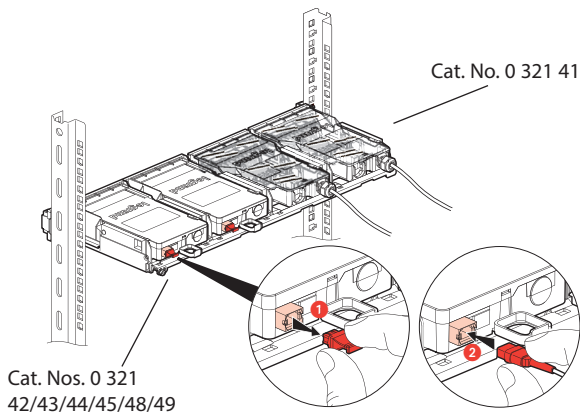
Mounted directly on fibre optic panel Cat. No. 0 321 40. Cassette can be removed individually by simple pressing the button on the front, for ease of installation and maintenance.

0 321 41	Spliceable fibre optic cassette: takes all modular fibre optic units; supplied with 2 cable glands PG 11
0 321 42	Preterminated cassette (50/125 µm) 24 FO OM4 multimode 24 LC connectors to 2 MTP connectors with 12 fibres A/C polarity, Ultra performance
0 321 43	Preterminated cassette (50/125 µm) 12 FO OM4 multimode 12 SC connectors to MTP connector with 12 fibres A/C polarity, Ultra performance
0 321 44	Preterminated cassette (9/125 µm) 24 FO OS2 singlemode 24 LC connectors to 2 MTP connectors with 12 fibres A/C polarity, Ultra performance
0 321 45	Preterminated cassette (9/125 µm) 12 FO OS2 singlemode 12 SC connectors to MTP connector with 12 fibres A/C polarity, Ultra performance
0 321 48	Preterminated cassette (50/125 µm) 12 FO OM4 multimode 12 LC connectors to 1 MTP connector with 12 fibres A/C polarity, Ultra performance
0 321 49	Preterminated cassette (9/125 µm) 12 FO OS2 singlemode 12 LC connectors to 1 MTP connector with 12 fibres A/C polarity, Ultra performance
0 337 55	Copper cassette to be equipped with up to 6 RJ45 Cat 5e, Cat 6 and Cat 6A connectors
0 321 80	Spliceable FO cassette 0 321 41 + SC unit for 6 multimode fibres 0 321 20 + 6 SC pigtails OM3 1m 0 322 20
0321 81	Spliceable FO cassette 0 321 41 + LC unit for 6 multimode fibres 0 321 23 + 6 LC pigtails OM3 1m 0 322 21
0 321 82	Spliceable FO cassette 0 321 41 + SC unit for 12 multimode fibres 0 321 21 + 12 SC pigtails OM3 1m 0 322 20
0 321 83	Spliceable FO cassette 0 321 41 + LC unit for 12 multimode fibres 0 321 24 + 12 LC pigtails OM3 1m 0 322 21
0 321 84	Spliceable FO cassette 0 321 41 + SC unit for 6 singlemode fibres 0 321 10 + 6 SC pigtails OS2 1m 0 322 41
0 321 85	Spliceable FO cassette 0 321 41 + LC unit for 6 singlemode fibres 0 321 13 + 6 LC pigtails OS2 1m 0 322 43
0 321 86	Spliceable FO cassette 0 321 41 + SC unit for 12 singlemode fibres 0 321 11 + 12 SC pigtails OS2 1m 0 322 41
0 321 87	Spliceable FO cassette 0 321 41 + LC unit for 12 singlemode fibres 0 321 14 + 12 LC pigtails OS2 1m 0 322 43
0 337 95	High Density copper cassette to be equipped with up to 12 RJ45 Cat 5e, Cat 6 and Cat 6A connectors
On request	- OM4 cassette : 24LC/12LC/12SC - polarity B - OM5 cassette : 24LC/12LC/12SC - polarity A/C or B - OS2 cassette : 24LC/12LC/12SC - polarity B - OS2 cassette : 24LC/12LC/12SC APC - polarity A/C or B

19" modular panels to be equipped with cassettes

Cat. No(s): 0 321 10/11/12/13/14/15/16/17/18/19 - 0321 20/21 - 0 321 23/24/25/27
 0 321 33/34/36/37 - 0 321 40/41/42/43/44/45/46/47/48/49
 0 321 80/81/82/83/84/85/86/87 - 0 337 55/57/95 - On request

5. CONNECTING CASSETTES



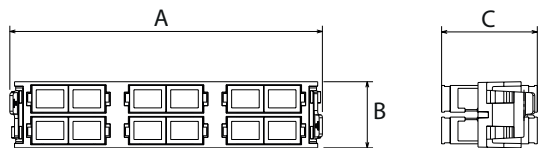
Cat. Nos. 0 321 42/43/44/45/48/49

* Compatible with female MTP connector only

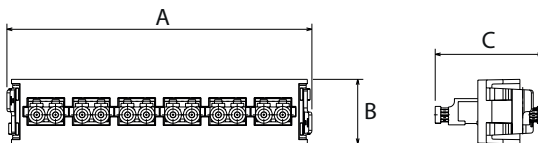
6. FIBRE OPTIC UNITS FOR SPLICEABLE CASSETTE

Fibre optic units are clipped directly on spliceable cassette Cat. No. 0 321 41 and also on fibre optic drawer Cat. No. 0 321 00 and 0 321 01.

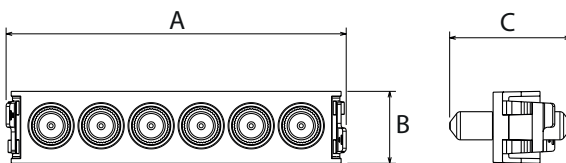
6.1 Unit dimensions



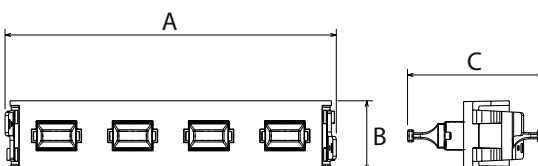
Cat. Nos.	A	B	C
0 321 10/11/12/20/21	108.8	23	33.3



Cat. Nos.	A	B	C
0 321 13/14/15/16/23/24/25/36/37	108.8	23	38.4



Cat. Nos.	A	B	C
0 321 17/27	108.8	23	38.7



Cat. Nos.	A	B	C
0 321 18/19 - 0 321 33/34	108.8	23	44.7

7. RANGE

	● 0 321 11	SC duplex HD for 12 singlemode fibres
	● 0 321 21	SC duplex HD for 12 multimode fibres
	● 0 321 10	SC duplex for 6 singlemode fibres
	● 0 321 12	SC apc duplex for 6 singlemode fibres
	● 0 321 20	SC duplex for 6 multimode fibres
	● 0 321 13	LC duplex for 6 singlemode fibres
	● 0 321 23	LC duplex for 6 multimode fibres
	● 0 321 36	LC duplex for 6 multimode fibres (aqua)
	● 0 321 14	LC duplex for 12 singlemode fibres
	● 0 321 16	LC apc duplex for 12 singlemode fibres
	● 0 321 24	LC duplex for 12 multimode fibres
	● 0 321 37	LC duplex for 12 multimode fibres (aqua)
	● 0 321 15	LC duplex HD for 24 singlemode fibres
	● 0 321 25	LC duplex HD for 24 multimode fibres
	● 0 321 17	ST for 6 singlemode fibres
	● 0 321 27	ST for 6 multimode fibres
	● 0 321 33	4 MTP adapter, pass-through, singlemode
	● 0 321 34	4 MTP adapter, pass-through, multimode
On demand		- 4 MTP adapter multimode or monomode Key UP/key UP - 8 MTP adapter multimode or monomode Key UP/key UP - 4 MTP adapter OM5 Key UP/key down - 8 MTP adapter OM5 Key UP/key down - LC duplex for 6/12 or 24 fibres OM5 - SC duplex for 6/12 or 24 fibres OM5
	● 0 321 42	24 LC multimode MTP cassette Ultra performance
	● 0 321 44	24 LC singlemode MTP cassette Ultra performance
	● 0 321 43	12 SC multimode MTP cassette Ultra performance
	● 0 321 45	12 SC singlemode MTP cassette Ultra performance
	● 0 321 48	12 LC multimode MTP cassette Ultra performance
	● 0 321 49	12 LC singlemode MTP cassette Ultra performance
	● 0 321 80	6 SC multimode cassette
	● 0 321 82	12 SC multimode cassette
	● 0 321 84	6 SC singlemode cassette
	● 0 321 86	12 SC singlemode cassette
	● 0 321 81	6 LC multimode cassette
	● 0 321 83	12 LC multimode cassette
	● 0 321 85	6 LC singlemode cassette
	● 0 321 87	12 LC singlemode cassette
	0 321 41	Splice cassette

19" modular panels to be equipped with cassettes

Cat. No(s): 0 321 10/11/12/13/14/15/16/17/18/19 - 0321 20/21 - 0 321 23/24/25/27
 0 321 33/34/36/37 - 0 321 40/41/42/43/44/45/46/47/48/49
 0 321 80/81/82/83/84/85/86/87 - 0 337 55/57/95 - On request

8. TECHNICAL CHARACTERISTICS

8.1 Panel characteristics:

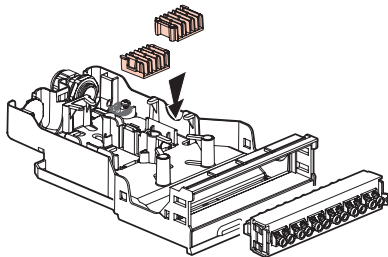
They can take spliceable cassettes, preterminated or copper
 Depth: 190 mm, height 1 U
 Maximum capacity:
 48 SC connectors
 24 ST connectors
 96 LC connectors
 32 MTP connectors

Compliant to IEC 60297-3-100

8.2 Cassette characteristics:

MTP preterminated cassette (compatible with MPO); removable from the front or the rear. Already equipped with preterminated fibres, directly connectible to female MTP connector with 12 fibres (compatible with MPO). Ultra performance cassette, low insertion loss < 0.5 dB. Factory tested and detailed on the test report provided on the cassette.

Spliceable fibre optic cassette; connectible cassettes, supplied with removable pigtail holder, with coiling area. Sold with 2 PG11s



8.3 Connector characteristics

The Legrand core, ultra and quantum connectivity performances are far superior than standard. They provide the following benefits for the user :

- Wider range of applications
- More flexibility in the design
- Energy saving on the active (transceivers).

Optical performance

- MTP® connectors

	Multimode Ultra Performance	Singlemode Ultra Performance
IL/Master	0.1 dB typical (all fibres) 0.35 dB maximum (single fibre) ^{2,3}	0.1 dB typical (all fibres) 0.35 dB maximum (single fibre) ^{1,4}
IL/Random*	0.35 dB (single fibre)	0.35 dB (single fibre)
Optical return loss ⁵	> 20 dB	> 60 dB (8° angle-polished)

¹ As tested in accordance with ANSI/TIA-455-171 Method D3 / IEC 61300-3-4

² As tested in accordance with ANSI/TIA-455-171 Method D1 / IEC 61300-3-4

³ As tested on 50µm fibres at a wavelength of 850 nm in accordance with IEC 61280-4-1

⁴ Complies with IEC 61755-3-31/GRADE B

⁵ As tested in accordance with IEC 61300-3-6 and ANSI/TIA-455-107A

* Performance is guaranteed only with other components of the same Legrand range (Core, Ultra and Quantum). Mixing ranges or use of components of other brand may lead to a different performance of the system. The uncertainty value for field measurement with LSPM testing using a reference cord defined in ISO/IEC 14763-3 applies to field testing with proposed Legrand testing cords. Refer to the Fiber Optic Testing Guide for Legrand Solutions.

- LC, SC, LC APC, SC APC connectors

Optical performance	Singlemode Ultra Performance	Multimode Ultra Performance
IL MAX/Master Acceptance) *	0.15 dB	0.15 dB
IL MAX/Random ** ***	0.25 dB	0.2 dB
Typ. IL/Master *	0.12 dB	0.08 dB
Typ. IL/Random ** ***	0.12 dB	0.10 dB
Return loss (UPC/APC)	> 55/65 dB	> 25 dB

* IEC 61300-3-4

** IEC 61300-3-34

*** Performance is guaranteed only with other components of the same Legrand range (Core, Ultra and Quantum). Mixing ranges or use of components of other brand may lead to a different performance of the system. The uncertainty value for field measurement with LSPM testing using a reference cord defined in ISO/IEC 14763-3 applies to field testing with proposed Legrand testing cords. Refer to the Fiber Optic Testing Guide for Legrand Solutions.

Storage and operating temperature: -10°C to +60°C

- Production quality control

For MTP :

Optical performance: 100% factory tested
 3D endface geometry (interferometry): 100% factory products controlled

For LC, SC, LC APC, SC APC :

Optical performance: 100% factory tested.
 3D endface Geometry (interferometry): sampling quality control.

8.4 Climate characteristics

Storage and usage temperature: - 10°C to + 60°C

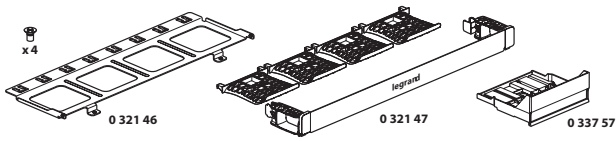
8.5 Standard compliance :

All components allow compliance to standard series :
 ISO/IEC 11801, EN 50173, ANSI/TIA 568

19" modular panels to be equipped with cassettes

Cat. No(s): 0 321 10/11/12/13/14/15/16/17/18/19 - 0321 20/21 - 0 321 23/24/25/27
 0 321 33/34/36/37 - 0 321 40/41/42/43/44/45/46/47/48/49
 0 321 80/81/82/83/84/85/86/87 - 0 337 55/57/95 - On request

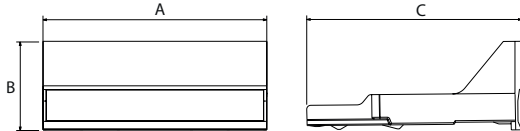
9. ACCESSORIES FOR 19" PANELS Cat. No. 0 321 40



9.1 Blanking cassette

Cat. No. 0,337 57

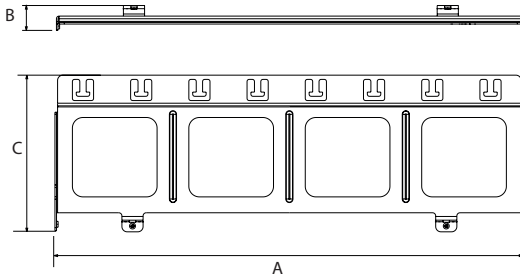
This clips onto panel Cat. No. 0 321 40



9.2 Rear cable management accessories

Cat. No. 0 321 46

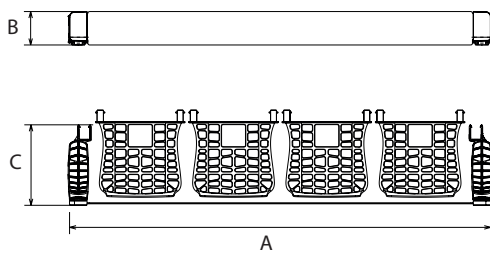
This clips onto panel Cat. No. 0 321 40



9.3 Cord management kit

Cat. No. 0 321 47

This is mounted on panel Cat. No. 0 321 40, 2 side cord guides and front door with integral marking for tidy cord storage on the front panel and sides; cord holder to be mounted on fibre optic cassette to make it easier to pass cords through the side.



Cat. Nos.	A	B	C
0 337 57	110.4	43.7	106
0 321 46	443	23.5	148
0 321 47	500	39.7	95.6

10. MADE-TO-ORDER PRODUCTS

Legrand's special service offers on-demand offers:

- OM4 24LC/12LC/12SC cassette in polarity B
- OM5 24LC/12LC/12SC cassette in A/C or B polarity: colour cassette
Lime, LC and SC adapters crossings beige
- Cassette OS2 24LC/12LC/12SC UPC in polarity B
- Cassette OS2 24LC/12LC/12SC APC in A/C or B polarity
- LC duplex block for 6/12 or 24 OM5 fibres : colour block Lime, adapters LC beige
- SC duplex block 6 or 12 fibres OM5 : colour block Lime, adapters SC beige
- Block 4 MTP adapter OM5 key UP/key down: black block and Adapters MTP Lime
- Block 4 MTP multimode or single mode adapter key UP/key UP : black block and adapters MTP grey
- Block 8 MTP adapter OM5 key UP/key down: black block and Adapters MTP Lime
- Block 8 MTP multimode or single mode adapter key UP/key UP : black block and adapters MTP grey

See the different possibilities in the tables above.

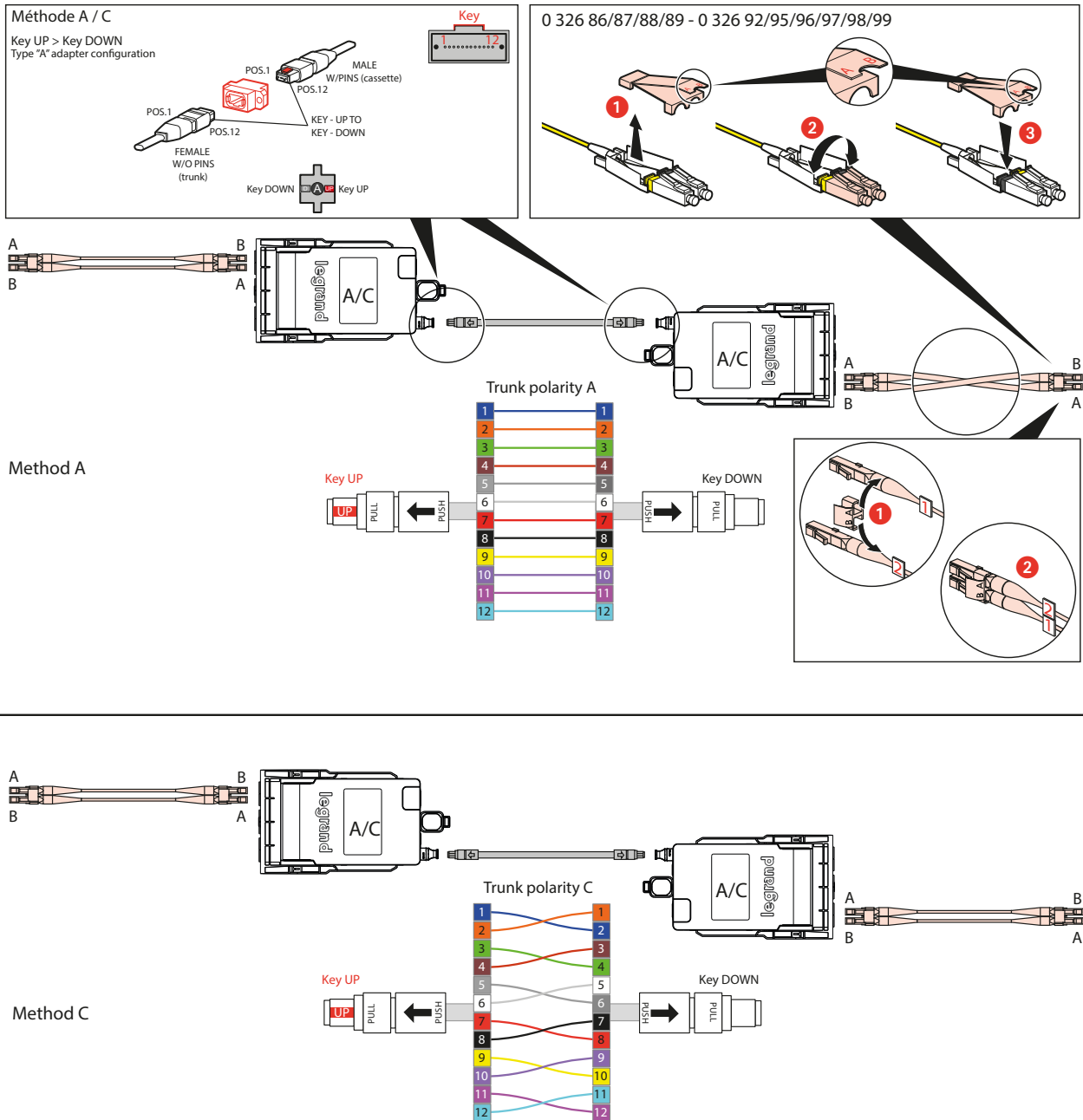
Consult your local agency or subsidiary.

19" modular panels to be equipped with cassettes

Cat. No(s): 0 321 10/11/12/13/14/15/16/17/18/19 - 0321 20/21 - 0 321 23/24/25/27
 0 321 33/34/36/37 - 0 321 40/41/42/43/44/45/46/47/48/49
 0 321 80/81/82/83/84/85/86/87 - 0 337 55/57/95 - On request

11. POLARITY

For methods A and C, the cassettes used are all identical. See Cat. Nos. 0 321 42/43/44/45.

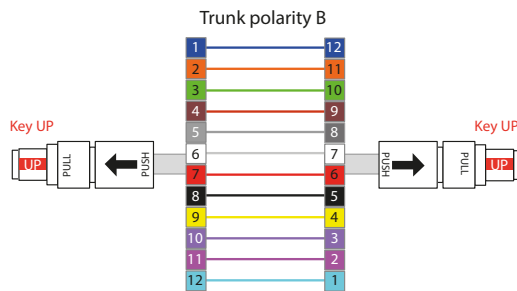
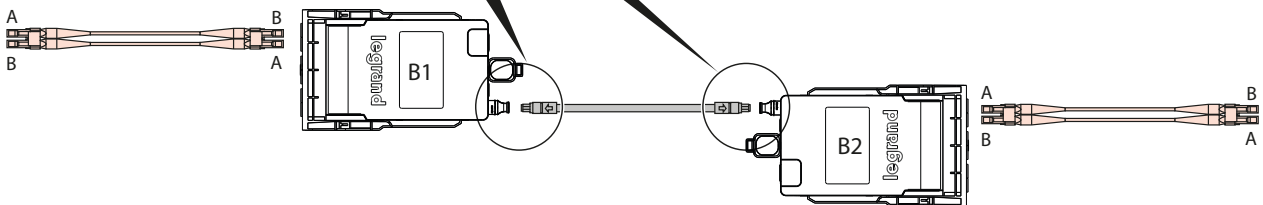
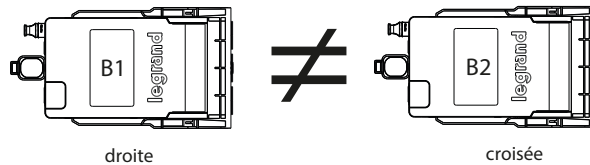
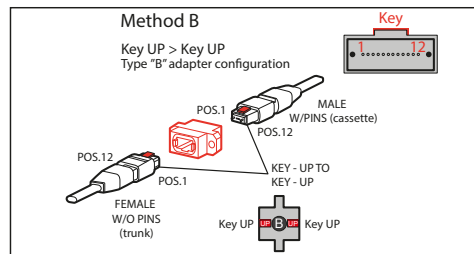


19" modular panels to be equipped with cassettes

Cat. No(s): 0 321 10/11/12/13/14/15/16/17/18/19 - 0321 20/21 - 0 321 23/24/25/27
 0 321 33/34/36/37 - 0 321 40/41/42/43/44/45/46/47/48/49
 0 321 80/81/82/83/84/85/86/87 - 0 337 55/57/95 - On request

11. POLARITY

For method B, use made-to-order product Cat. No. 9 001 26/36.



For single-mode Polarity B (key-up/key-up adapter), the male MTP connector of the cassette is up-angled in accordance with IEC 61754-1-12 and therefore compatible only with standard (down-angled) female MTP (or MPO) Polarity B trunks. Polarity B trunks available on request.

