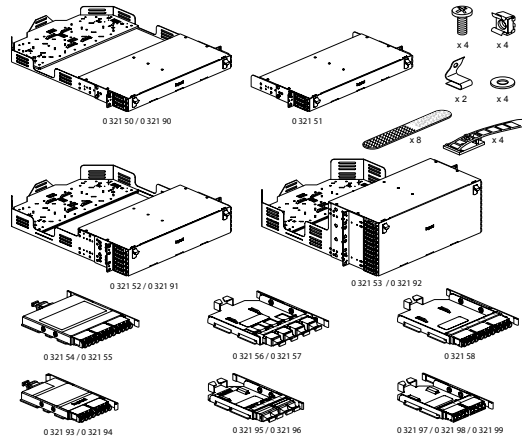


## Very high density modular fibre optic drawers, to be equipped with cassettes

Cat. No(s): 0 321 50/51/52/53/54/55/56/57/58/90  
 0 321 91/92/93/94/95/96/97/98/99 - Made-to-order



### 1. USE

Very high density modular fibre optic drawers, to be equipped with cassettes. Fixed modular chassis for holding very high density cassettes.

#### Fibre optic drawers with cord management at front

*For cassettes and adaptors with 12 fibres*

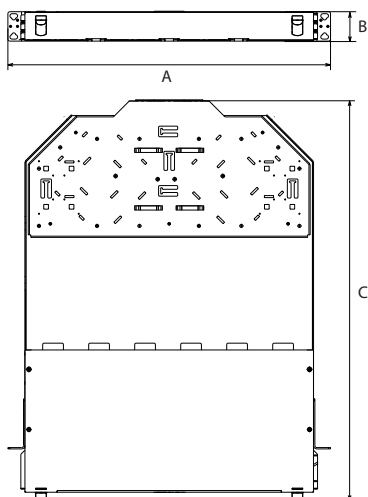
0 321 51	1U maximum capacity (holds up to 12 cassettes): 144 LC connectors
----------	--

#### Fibre optic drawers with cord management at front and back

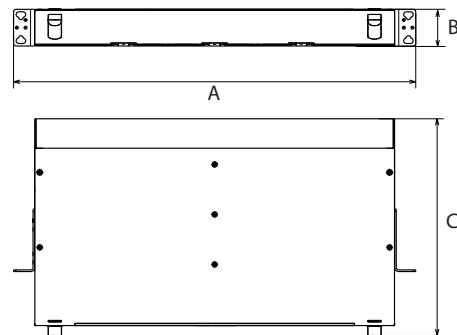
*For cassettes and adaptors with 12 fibres*

0 321 50	1U maximum capacity (holds up to 12 cassettes): 144 LC connectors
0 321 52	2U maximum capacity (holds up to 24 cassettes): 288 LC connectors
0 321 53	4U maximum capacity (holds up to 48 cassettes): 576 LC connectors
<i>For cassettes and adaptors with 8 fibres</i>	
0 321 90	1U maximum capacity (holds up to 16 cassettes): 144 LC connectors
0 321 91	2U maximum capacity (holds up to 36 cassettes): 288 LC connectors
0 321 92	4U maximum capacity (holds up to 72 cassettes): 576 LC connectors

### 2. DRAWER DIMENSIONS (mm)



Cat. Nos. 0 321 50/90



Cat. No. 0 321 51

Cat. Nos.	A	B	C
0 321 50/90	483	44	598
0 321 51	483	44	260
0 321 52/91	483	88	597
0 321 53/92	483	176	599

### 3. VERY HIGH DENSITY CASSETTES FOR FIBRE OPTIC DRAWER

#### Clip directly into the fibre optic drawers: 0 321 50/51/52/53

0 321 54	OM4 multimode cassettes for 50/125 µm multimode installation, OM4 type MPO cassette (compatible with MTP) 12 OM4 LC strands, polarity A/C
0 321 55	OS2 cassettes for 9/125 µm singlemode installation, OS2 type MPO cassette (compatible with MTP) 12 OS2 LC strands, polarity A/C
Made-to-order	OM4 or OS2 cassette in polarity B

#### Clip directly into the fibre optic drawers: 0 321 90/91/92

0 321 93	OM4 multimode cassettes for 50/125 µm multimode installation, OM4 type MPO cassette (compatible with MTP) 8 OM4 LC strands, universal polarity
0 321 94	OS2 cassettes for 9/125 µm singlemode installation, OS2 type MPO cassette (compatible with MTP) 8 OS2 LC strands, universal polarity

# Very high density modular fibre optic drawers, to be equipped with cassettes

Cat. No(s): 0 321 50/51/52/53/54/55/56/57/58/90  
0 321 91/92/93/94/95/96/97/98/99 - Made-to-order

## 4. ADAPTORS FOR FIBRE OPTIC DRAWER

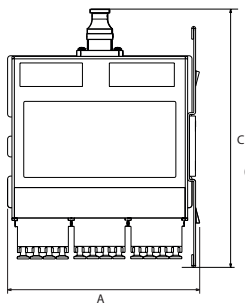
Clip directly into the fibre optic drawers: 0 321 50/51/52/53

0 321 56	4 MPO adaptor (compatible with MTP) key UP/key DOWN multimode
0 321 57	4 MPO adaptor (compatible with MTP) key UP/key DOWN singlemode
0 321 58	12 LC multimode adaptor

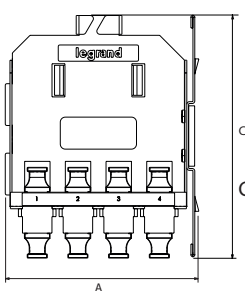
Clip directly into the fibre optic drawers: 0 321 90/91/92

0 321 95	4 MPO adaptor (compatible with MTP) key UP/key DOWN multimode
0 321 96	4 MPO adaptor (compatible with MTP) key UP/key DOWN singlemode
0 321 97	8 LC OM4 adaptor
0 321 98	8 LC OS2 adaptor
0 321 99	8 LC APC OS2 adaptor

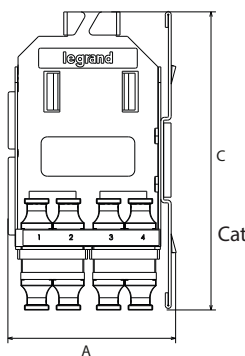
## 5. CASSETTE AND ADAPTOR DIMENSIONS (mm)



Cat. Nos. 0 321 54/55



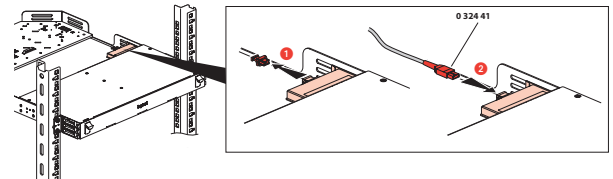
Cat. Nos. 0 321 56/57



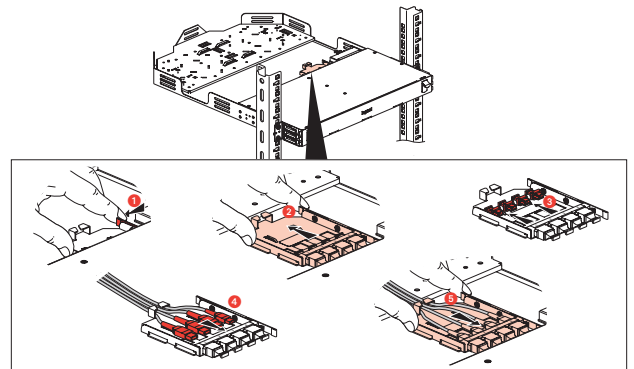
Cat. Nos. 0 321 95/96

Cat. Nos.	A	B	C
Cassettes			
0 321 54/55	97	12	129
0 321 93/94	68	12	129
Adaptors			
0 321 56/57/58	97	11	121
0 321 95/96	68	12	121
0 321 97/98/99			

## 6. CONNECTING CASSETTES



## 7. CONNECTING ADAPTORS



**8. TECHNICAL CHARACTERISTICS**

**8.1 Weight:**

Panels		
0 321 50	UHD drawer - 1U - to be equipped with cassette	11.9 kg
0 321 51	UHD drawer to be equipped with cassette, without rear cord management	7.7 kg
0 321 52	UHD drawer - 2U - to be equipped with cassette	12.5 kg
0 321 53	UHD drawer - 4U - to be equipped with cassette	21.5 kg
0 321 90	UHD drawer - 1U - to be equipped with cassette with 8 fibres	10.5 kg
0 321 91	UHD drawer - 2U - to be equipped with cassette with 8 fibres	13 kg
0 321 92	UHD drawer - 4U - to be equipped with cassette with 8 fibres	19.6 kg
Cassettes		
0 321 54	12 OM4 LC MPO cassette with UHD panel	80 g
0 321 55	12 OS2 LC MPO cassette with UHD panel	
0 321 93	8 OM4 LC MPO cassette with UHD panel	70 g
0 321 94	8 OS2 LC MPO cassette with UHD panel	
Adaptors		
0 321 56	4 MPO adaptor (compatible with MTP) key UP/key DOWN multimode	70 g
0 321 57	4 MPO adaptor (compatible with MTP) key UP/key DOWN multimode	
0 321 58	12 LC multimode adaptor	
0 321 95	4 MPO adaptor (compatible with MTP) key UP/key DOWN singlemode	50 g
0 321 96	4 MPO adaptor (compatible with MTP) key UP/key DOWN singlemode	
0 321 97	8 LC OM4 adaptor	
0 321 98	8 LC OS2 adaptor	
0 321 99	8 LC APC OS2 adaptor	

**8.2 Fibre optic drawer characteristics:**

They can take very high density cassettes, MTP and LC adaptors.  
Maximum capacity: 576 LC connectors  
Material: sheet steel  
Colour: black

**8.3 Cassette characteristics:**

Clip directly into the fibre optic drawers; cassettes slide in and out of a chassis.

Cassettes can be fitted and removed from the front and rear.

Cassettes equipped with male MTP connectors

Insertion Loss and Return Loss value for each fibre:

	IL max (dB)	RL min (dB)
Singlemode	1.05 (1)	52.0 (3)
Multimode	0.5 (2)	19.0 (3)

(1) tested in accordance with TIA-526-7 and TIA-568-C.3

(2) tested in accordance with TIA-526-14-A and TIA-568-C.3

(3) tested in accordance with TIA-455-107 and TIA-568-C.3

Cassettes with polarity B available made-to-order in multimode and singlemode.

**8. TECHNICAL CHARACTERISTICS (continued)**

**8.4 Adaptor characteristics:**

Clip directly into the fibre optic drawers; adaptors slide in and out of a chassis. Can be fitted and removed from the front and rear.

**8.5 Standards and approvals:**

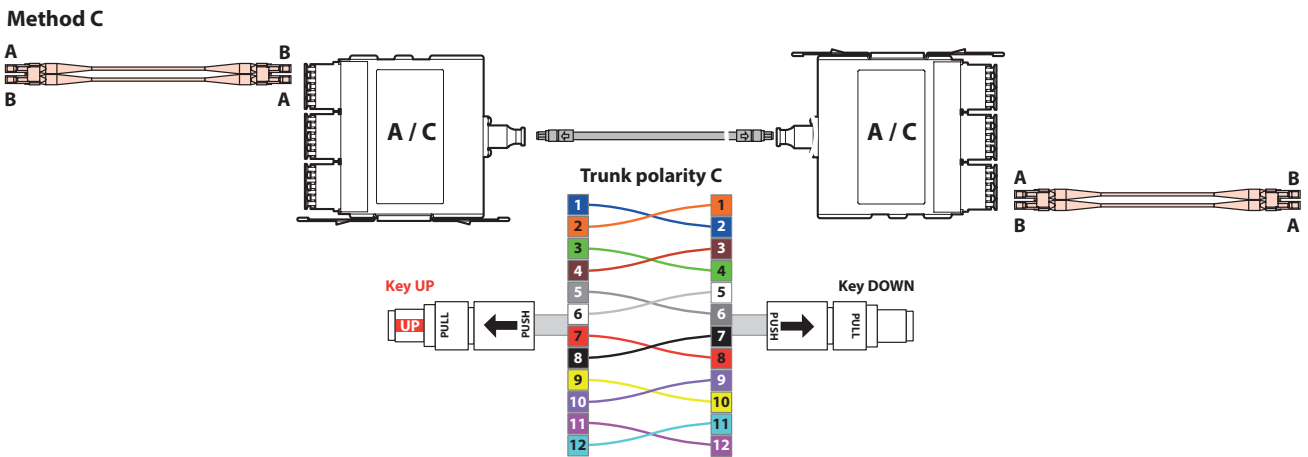
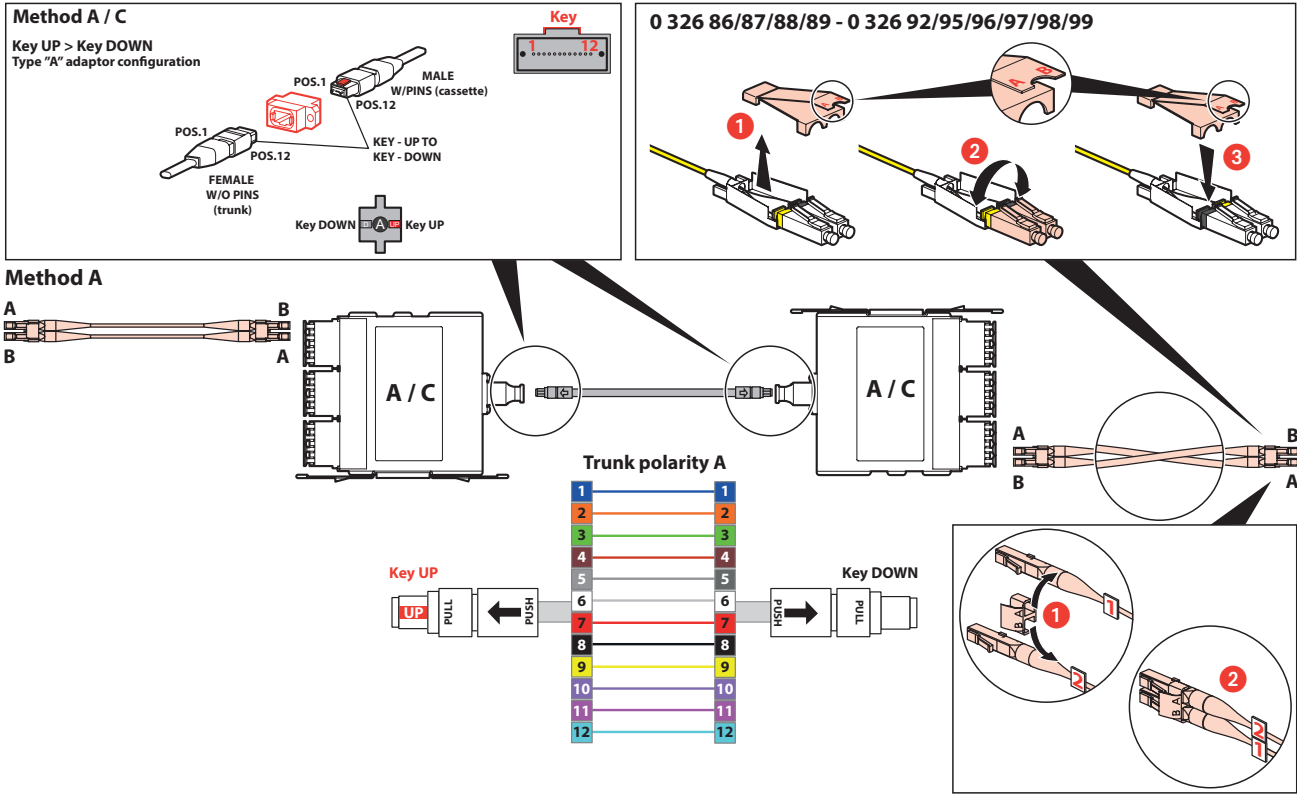
ANSI/TIA-568-C.3: Optical Fiber Cabling Components Standard  
TIA-604-10: Fiber Optic Intermateability Standard, LC  
TIA-604-5: Fiber Optic Intermateability Standard, MTP/MPO  
RoHS

**8.6 Climate characteristics**

Storage and usage temperature: - 10°C to + 60°C

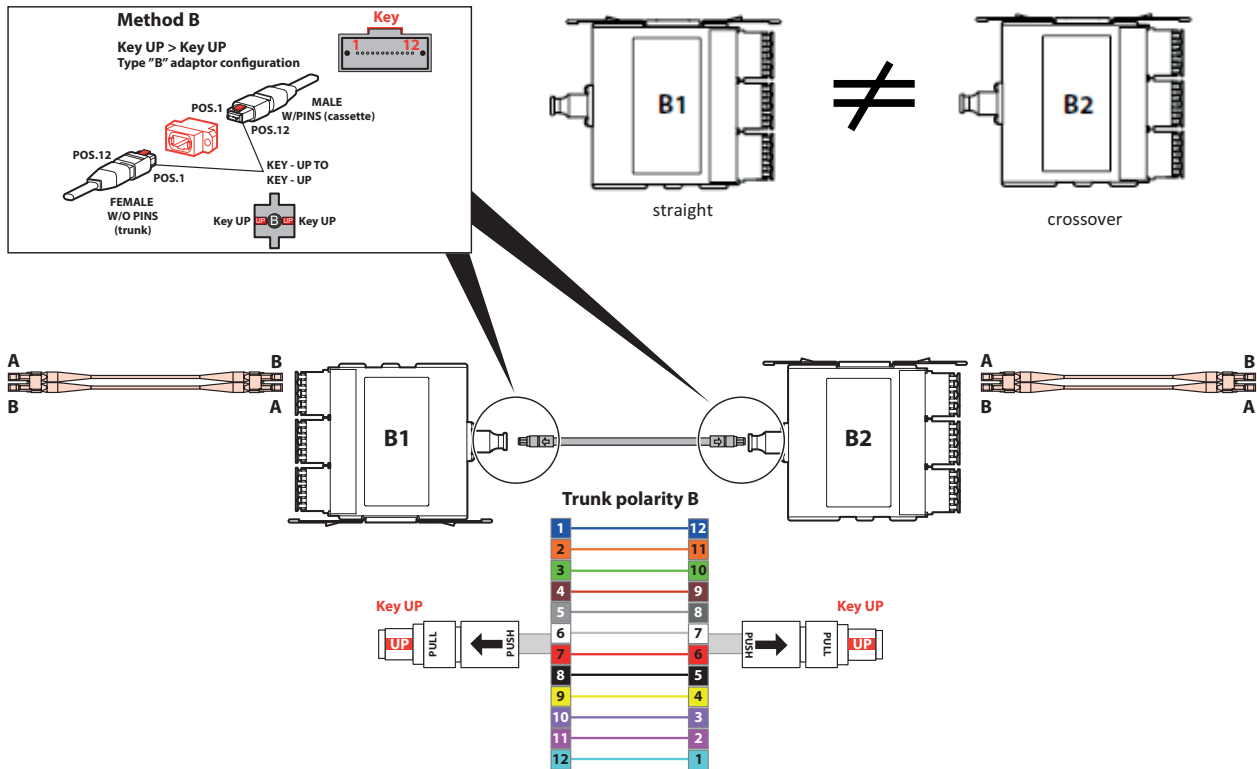
9. POLARITY

Method A/C : 0 321 54 / 0321 55

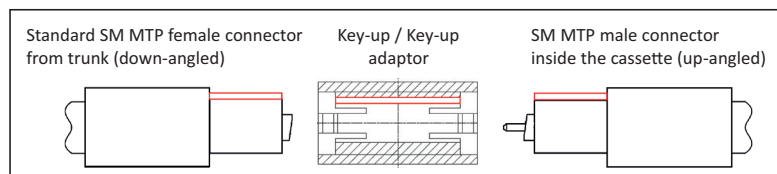


9. POLARITY

Method B : "Made-to-order" singlemode/multimode



For singlemode cassettes with polarity B (key-up/key-up feedthrough), the male MTP connector for the cassette is up-angled in accordance with IEC 61754-1-12 and therefore only compatible with standard polarity B female MTP (or MPO) trunks (down-angled). Polarity B trunks available made-to-order.



9. POLARITY

Universal polarity : 0321 93 / 0321 94

