

Magnetic contacts

BT-3510 **BT-3510M** **BT-3510PB** **BT-3511** **BT-3512** **BT-3513**
LG-043190 **LG-043198** **LG-043199** **LG-043191** **LG-043192** **LG-043193**

Description

Magnetic sensors are normally installed on the top side of windows or doors, opposite to the hinges, so that even with small forced openings, the distance created between the two components (magnet and reed contact) will be enough to cause an alarm. The electromagnetic sensors included in the offer are of the NC contact and protection line type.

Flush mounted installation sensor, item 3510 and item 3510M

These cylindrical sensors have been purposely designed for Flush mounted installation, as shown in the figure, for doors and windows with small sections. Sensor item 3510 is suitable for wooden doors and windows; sensor item 3510M is made of brass, has high mechanical resistance, and is suitable of all types of non ferromagnetic doors and windows (wood, PVC, aluminium).

Flush mounted installation sensor, item 3510PB

These cylindrical sensors of large diameter (20 mm) have an enhanced magnet, and have been purposely designed for Flush mounted installation in reinforced doors, doors, and large entrance doors, of any material.

Sensor for exposed installation, item 3511

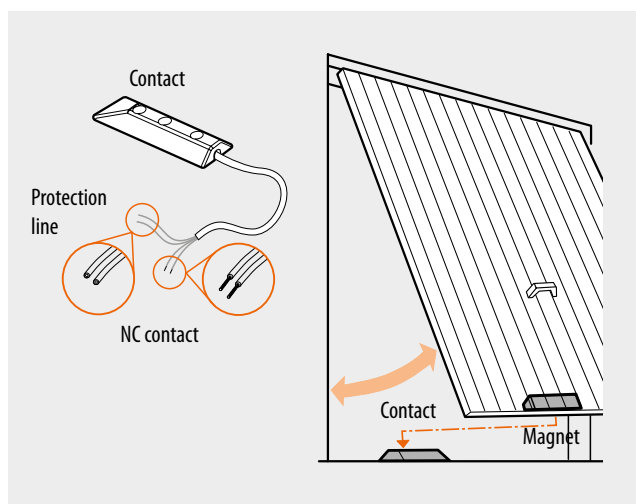
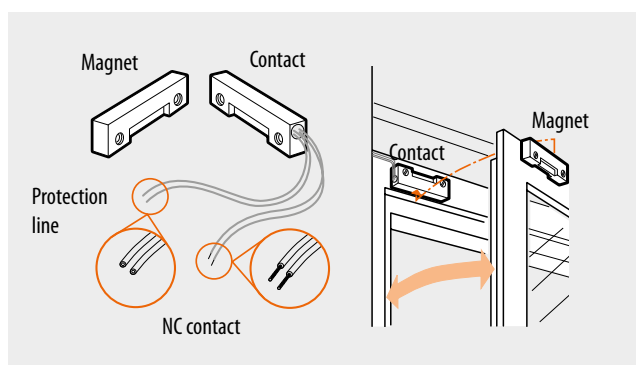
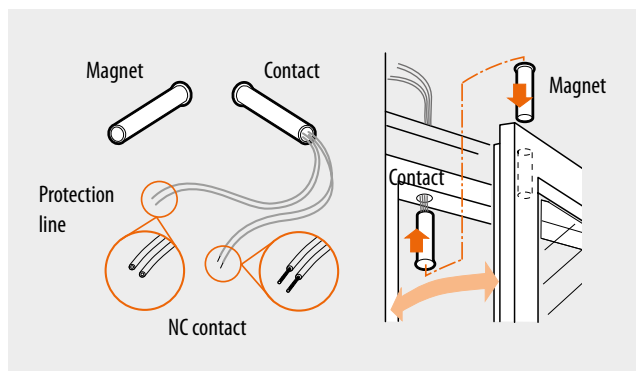
When Flush mounted installation is not possible, this type of sensor may be used. White in colour, and very small in size, it is designed for exposed installation. It can be used both on wood and plastic, but also on non ferrous metal doors and windows, such as aluminium ones. This magnetic sensor has a NC contact and protection line.

Sensors for doors made of ferrous metal, item 3512 and 3513

Made of metal, and intended for installation on ferrous metal doors and windows. The item 3512 sensor is suitable for the protection of sliding or tilting garage doors. thanks to its die-cast aluminium structure capable of withstanding the passage of vehicles, it can be set on the floor. The connection cables are protected by steel sheathing. item 3513 sensor can be used on sheet steel doors, such as those of cellars and warehouses, and on ferrous metal doors and windows.

Configuration

Sensors do not require configuration.



Magnetic contacts

BT-3510 BT-3510M BT-3510PB BT-3511 BT-3512 BT-3513
 LG-043190 LG-043198 LG-043199 LG-043191 LG-043192 LG-043193

Dimensional data

