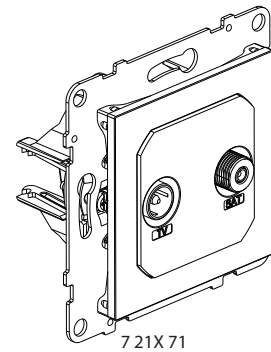
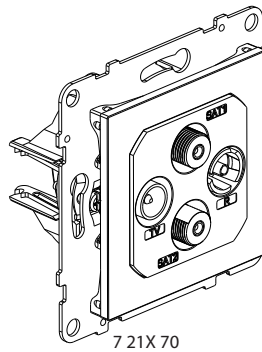
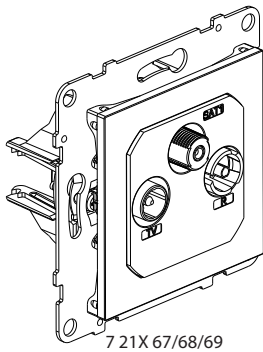


Suno™
TV-SAT sockets, TV-R-SAT sockets,
TV-R-SAT-SAT sockets

Cat. No(s): 7 21X 67, 7 21X 68
7 21X 69, 7 21X 70, 7 21X 71



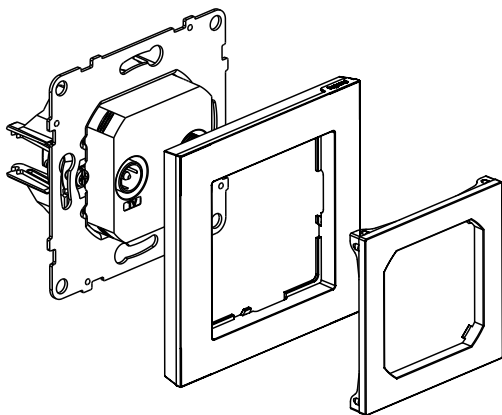
1. USE

TV/R/SAT + DAB+: for receiving TV, radio and satellite signals.
 UHD (ultra high definition) compatible.
 Class A shielded star sockets LTE Ready (4G protected).
 Recommended coaxial cable 17/19 VATC. Single cable entry.
 Can be flush mounted in a box min. 40 mm deep.
 Fixing with screw and/or claw.

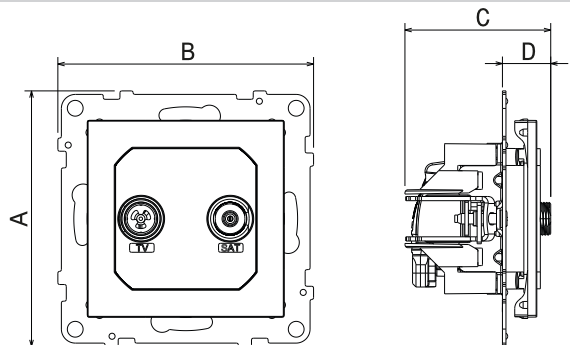
2. RANGE

Description	White	Ivory	Aluminum	Black
TV-R-SAT MALE STAR	7 211 67	-	7 213 67	7 214 67
TV-R-SAT MALE PASSTHROUGH 14dB	7 211 68	-	7 213 68	7 214 68
TV-R-SAT MALE TERMINAL 10dB	7 211 69	-	7 213 69	7 214 69
TV-R-SAT-SAT MALE STAR 2 CABLES	7 211 70	7 211 70	7 211 70	7 211 70
TV-SAT MALE STAR 2 CABLES	7 211 71	7 212 71	7 213 71	7 213 71

3. DISMANTLING

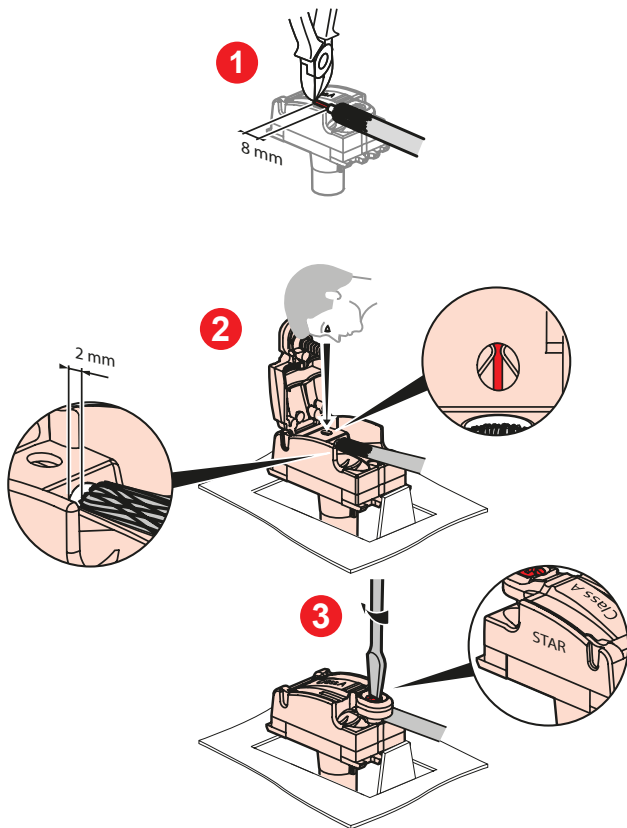


4. DIMENSIONS (mm)

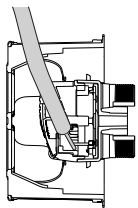
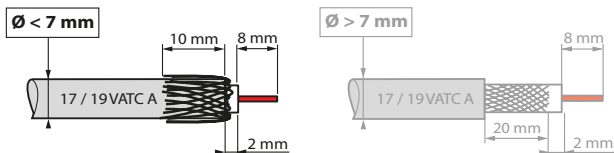


References	A	B	C	D
7 21X 67	72,9	72,9	42,8	15
7 21X 68/69/71	72,9	72,9	41,6	13,8
7 21X 70	72,9	72,9	41,5	13,7

5. CONNECTION



6. WIRING PRECAUTIONS



By restricting deformation of the coaxial cable, the rear connection avoids impedance discontinuity, thereby sustaining performance

7. TECHNICAL CHARACTERISTICS

7.1 Mechanical characteristics

Protection against solid bodies and liquids: IP20

Protection against impact: IK04

Cable resistance: 120 N

7.2 Material characteristics

Polygloss appearance

Colour molded:

- White RAL 9003
- Ivory RAL 1013

Matt colour painted:

- Aluminum RAL 9023
- Black RAL 9017

Material: - Cover: ABS
- Base: Polycarbonate
- Halogen-free
- UV-resistant

Motor: - Casing: zamac
- Cover: zamac
- Pin: bronze
1- screw: galvanized steel

Self-extinguishing:

850°C/30 s for insulating components holding live parts in place

650°C/30 s for other insulating components

7.3 Electrical characteristics

- Impedance : 75 ohm
- Male connector \varnothing 9.52 mm
- Class A shielding efficiency (class A shielding is necessary to prevent interference caused by using 3 and 4 G phone signals, as these unwanted signals can result in pixellation on screen or adversely affect the sound track).
- Frequency bands: TV: 5-68/120-862 MHz
- Low attenuation: < 1 dB maximum
- Compatible with remote power supply

7.4 Climate characteristics

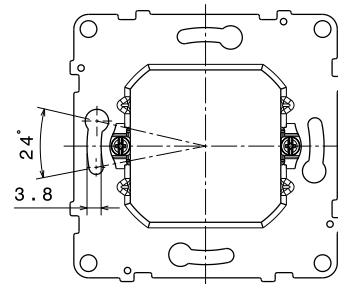
Usage temperature: - 5°C to + 35°C

Storage temperature: - 10°C to + 70°C

7.5 Support

Material of support: -Metal

Angular adjusting:



8. MAINTENANCE

Surface cleaning with a cloth.

Do not use:

Acetone, tar remover, trichloroethylene.

Maintenance with the following products:

Hexane (EN 60669-1), Methylated spirit, Soapy water, Diluted ammonia, Bleach diluted to 10%, Window-cleaning products.

Caution: Always test before using other special cleaning products.

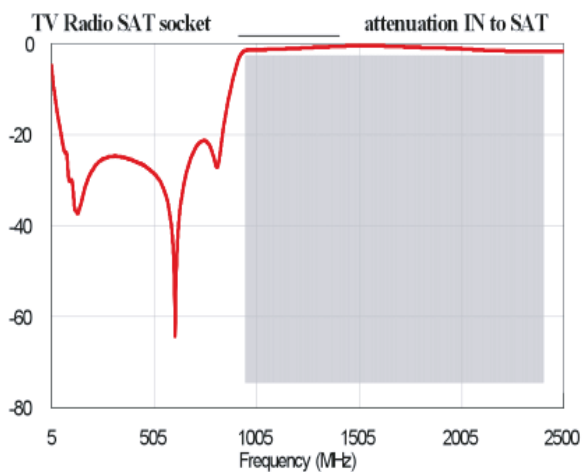
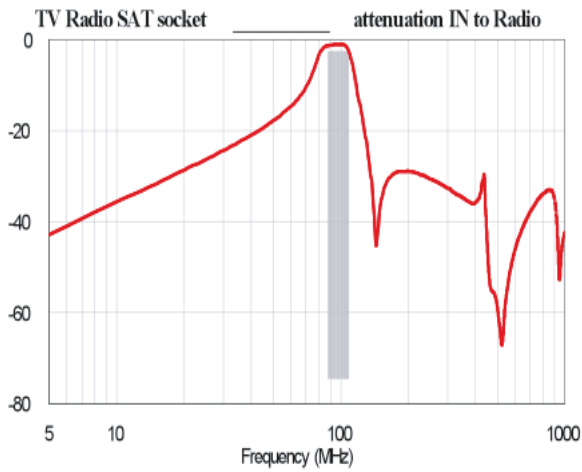
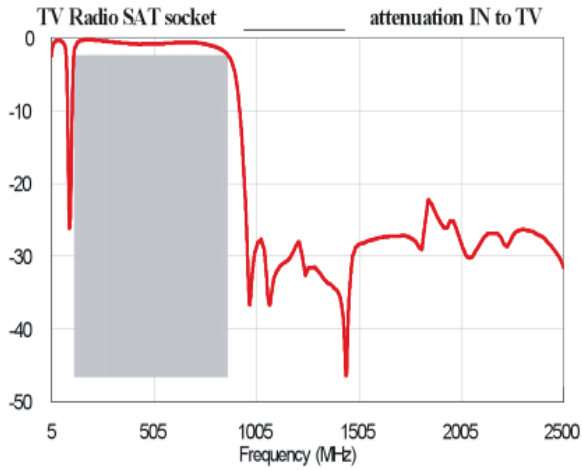
9. STANDARDS AND APPROVALS

Compliant with installation and manufacturing standards.

Refer to e. catalogue.

10. STANDARDS AND APPROVALS

Single male TV socket



Prises TV Radio DAB

