

Snap-on columns and accessories (export range)

Cat. No(s) : 0 111 88 - 0 307 87 - 0 310 69 -
 6 038 07/56/57/58 - 6 530

06/07/08/10/11/12/13/14/15/26/27/28/30/31/32/33/34/35/50/51/52/
 56/66/67/68/75/76/79/80/81/82/83 - 980979 to 990



6 530 10/11/12/13/14/
 30/31/32/33/34/35



6 530 50/51/52



6 530 06/07/08/
 26/27/28

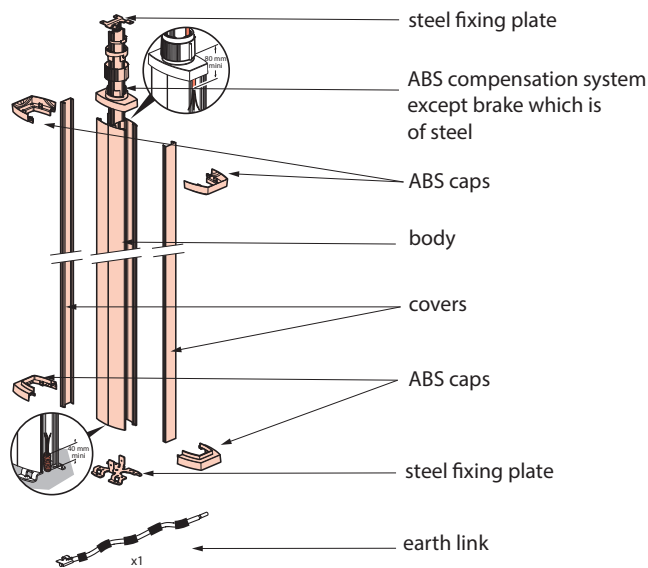
1. DESCRIPTION & COMPOSITION

■ 1.1 Columns 1 or 2 compartments

Range & Characteristics :

- white = RAL 9003
- alu = anodised (no RAL)
- black = RAL 9017

snap-on	colour	body	cover	mini & maxi installation height	
				2,77m to 4,05m	4,02m to 5,3m
	1 cpt 2 sides	white alu black	PVC alu PVC	6 530 10	6 530 13
				6 530 11	6 530 14
				6 530 12	6 530 15
	2 cpt	white alu black	PVC alu PVC	6 530 30	6 530 33
				6 530 31	6 530 34
				6 530 32	6 530 35



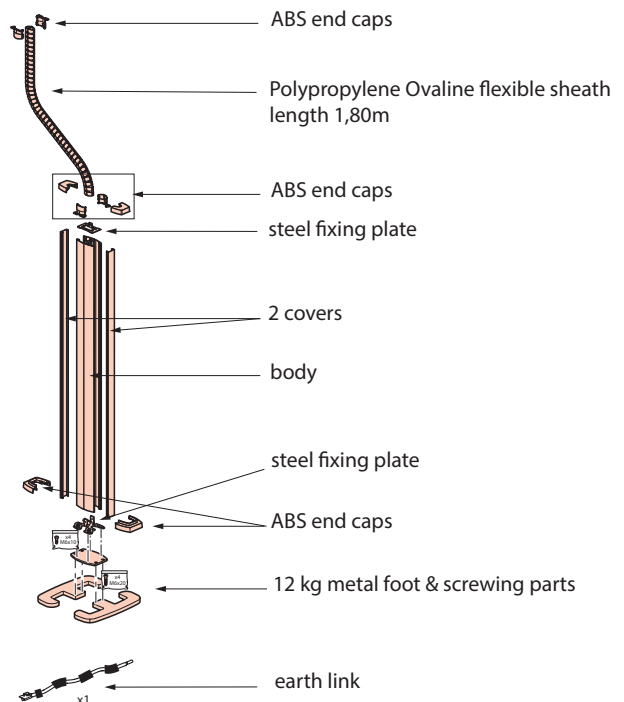
1. DESCRIPTION & COMPOSITION (cont.)

■ 1.2 Movable columns 1 or 2 compartments

Range & Characteristics :

- white = RAL 9003
- alu = anodised (no RAL)
- black = RAL 9017

snap-on	colour	body	cover	2m
	1 cpt 2 sides	white alu black	PVC	6 530 06
			alu	6 530 07
			PVC	6 530 08
	2 cpt	white alu black	PVC	6 530 26
			alu	6 530 27
			PVC	6 530 28




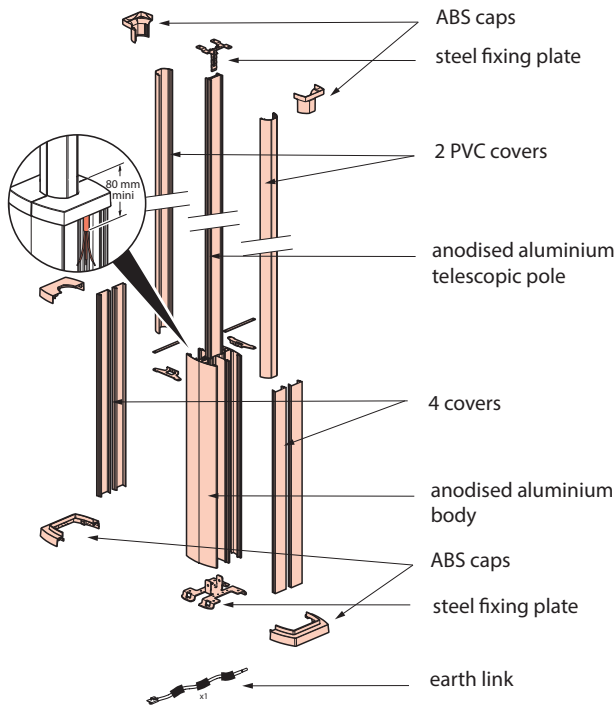
1. DESCRIPTION & COMPOSITION (cont.)

■ 1.3 Columns 4 compartments with telescopic pole

Range & Characteristics :

- white = RAL 9003
- alu = anodised (no RAL)
- black = RAL 9017

snap-on	colour	body	cover	3,3m
	4 cpt	alu	PVC	6 530 50
			alu	6 530 51
			PVC	6 530 52

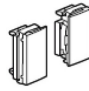


2. INSTALLATION

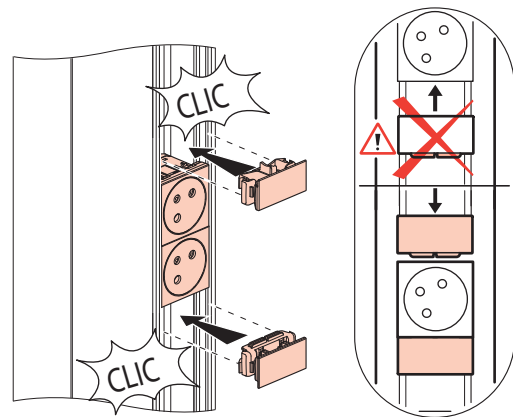
Installation inside only.

Be sure to be in accordance with the electrical installation and earthing procedures.

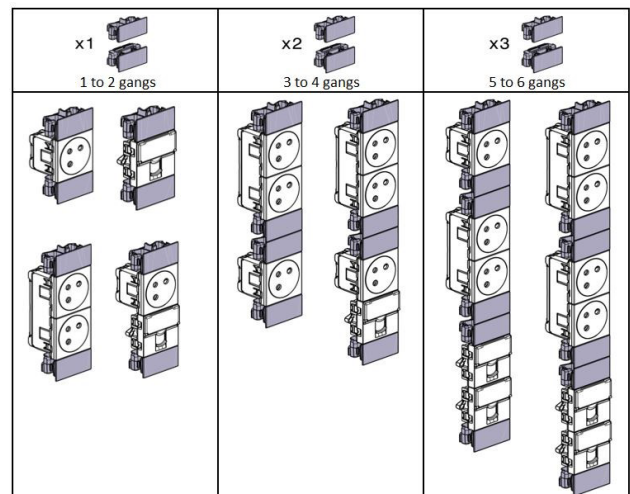
To be used with of Arteur or Mosaic wiring devices. Please add the Normaclip accessory :

	Cat. Nos	Colours
	6 038 57	white
	6 038 58	aluminium
	6 038 56	black

- with anti-pullout and anti-slip system
- respect of protection class (IP40)
- perfect finition of junction with covers



Be sure to follow the installation below : please put 2 sockets maxi (4 modules maxi) between 2 Normaclips :



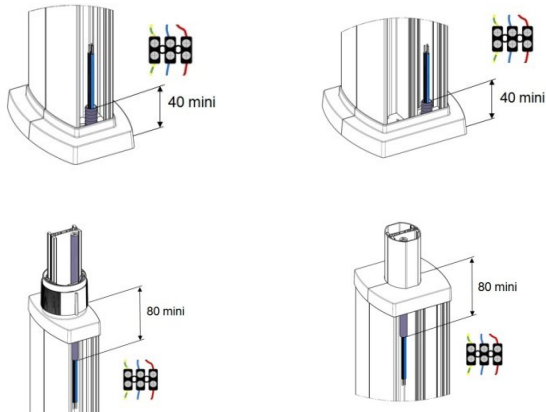
Snap-on columns and accessories (export range)

Cat. No(s) : 0 111 88 - 0 307 87 - 0 310 69 -
6 038 07/56/57/58 - 6 530

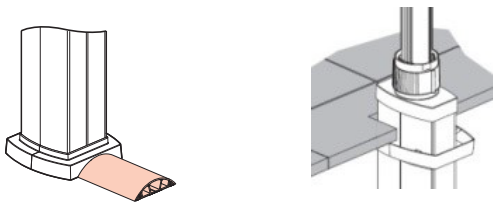
06/07/08/10/11/12/13/14/15/26/27/28/30/31/32/33/34/35/50/51/52/
56/66/67/68/75/76/79/80/81/82/83 - 980979 to 990

2. INSTALLATION (cont.)

Power supply via cable.
Be sure to respect the mini cable length or sheath from the bottom of the column



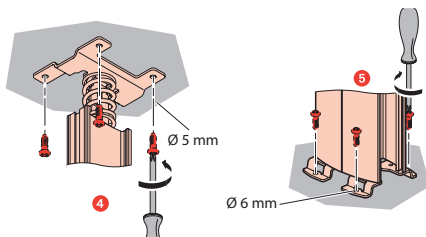
Power can be supplied through the floor, via ceiling or via raised floor/over floor trunking.



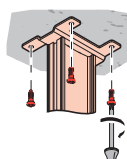
Installation compatible with over floor trunking
50x12 cat. no 0 300 92
and
75x18 cat. nos 0 300 88/90/91/93
and
92x20 cat. no 0 328 00

Except movable columns (cat. nos 6 530 06/07/08/26/27/28), be sure to be in accordance with the columns fixation. In order to get a safe and lasting installation, columns have to be screwed on the floor via the plate.

for columns 1 & 2 compartments

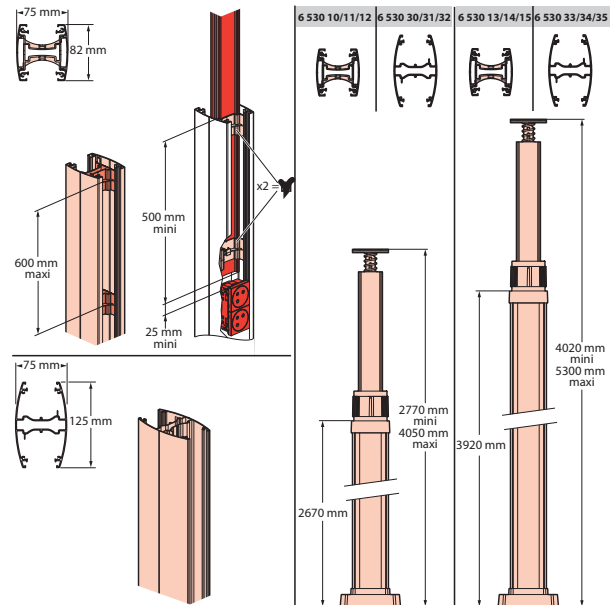


for columns 4 compartments



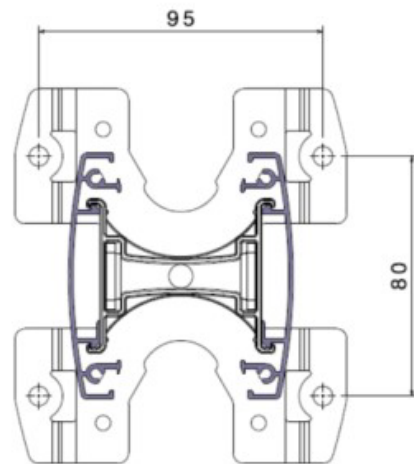
3. DIMENSIONS

■ 3.1 - 1 or 2 compartments columns cat. nos. 6 530 10/11/12/13/14/15/30/31/32/33/34/35

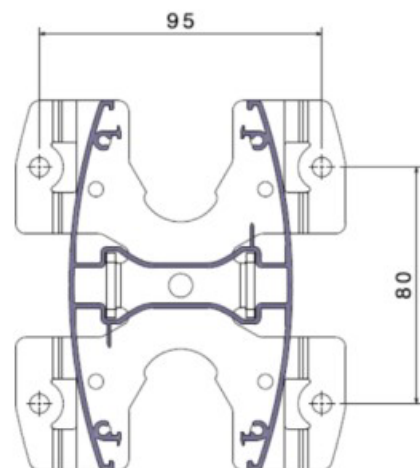


Mounting holes centers dimensions

For 1 compartment 2 sides columns cat. nos 6 530 10/11/12/13/14/15

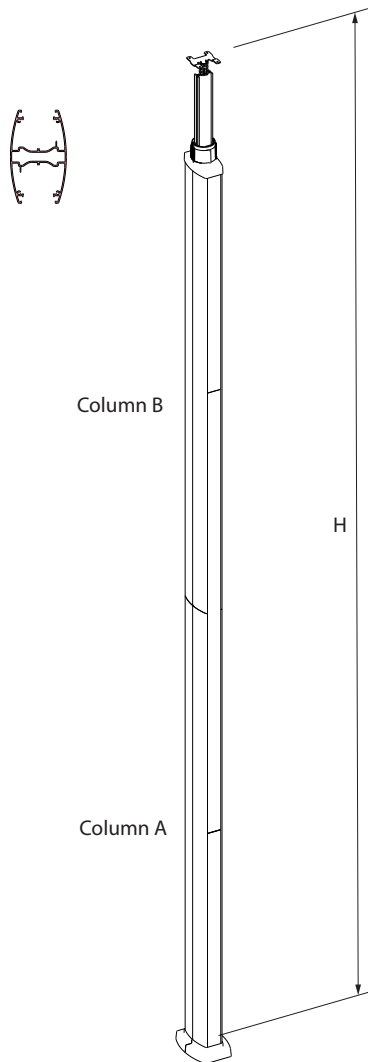


For 2 compartments columns cat. nos 6 530 30/31/32/33/34/35



3. DIMENSIONS (cont.)

■ 3.2 - 2 compartments big heights columns

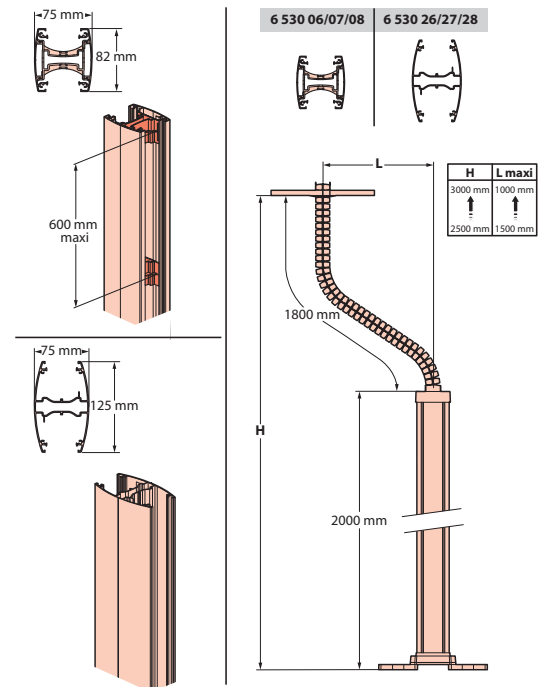


alu body	2 cpts	Column A	Column B	H Maxi
black colour		6 530 35	6 530 35	8 300 mm
		6 530 35	6 530 32	7 050 mm
		6 530 32	6 530 32	5 800 mm
alu		6 530 34	6 530 34	8 300 mm
		6 530 34	6 530 31	7 050 mm
		6 530 31	6 530 31	5 800 mm

For heights from 5 300 to 8 300 mm, please contact on demand department via your LEGRAND sales representative, in order to get one detailed instruction sheet.

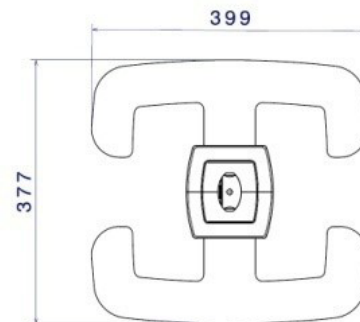
3. DIMENSIONS (cont.)

■ 3.3 - 1 or 2 compartments movable columns cat. nos 6 530 06/07/08 06/07/08/26/27/28

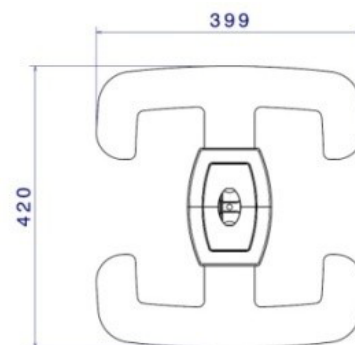


Foot space on the floor

For 1 compartment 2 sides movable columns cat. nos 6 530 06/07/08

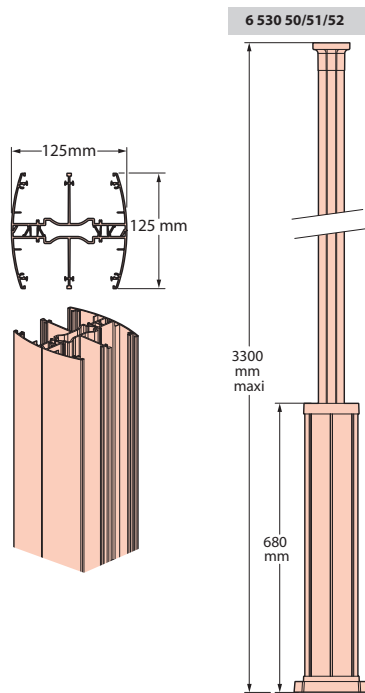


For 2 compartments movable columns cat. nos 6 530 26/27/28



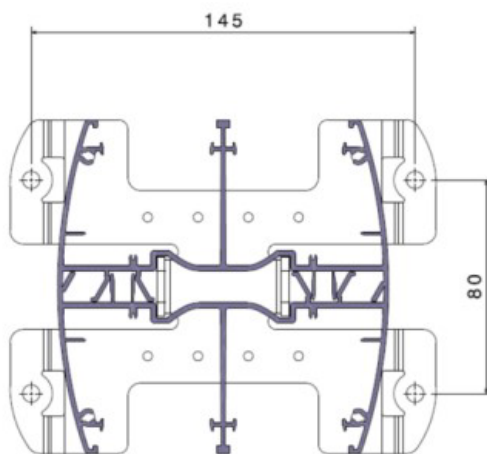
3. DIMENSIONS (cont.)

■ 3.4 - 4 compartments columns cat. nos 6 530 50/51/52



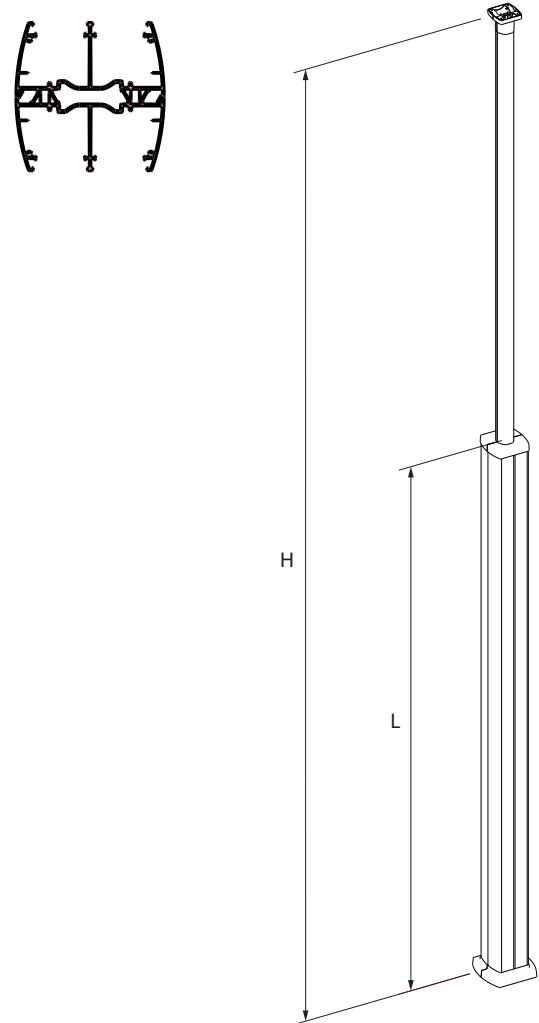
Mounting holes centers dimensions

For 4 compartments columns cat. nos 6 530 50/51/52



3. DIMENSIONS (cont.)

■ 3.5 - 4 compartments big heights columns



L	H Maxi
1 970 mm	4 300 mm
1 770 mm	4 100 mm
1 570 mm	3 900 mm
1 370 mm	3 700 mm

For heights from 3 300 4 300 mm, please contact on demand department via your LEGRAND sales representative in order to get one detailed instruction sheet.

4. TECHNICAL CHARACTERISTICS & STANDARDS

■ 4.1 Classification of columns/mini-columns systems according to standard EN 50085-1 & EN 50085-2-4

	Column
6.2 Resistance to impact for installation and application	2 J
6.3 Minimum storage and transport temperature	-25°C
6.3 Minimum installation and application temperature	-5°C
6.3 Maximum application temperature	60°C
6.4 Resistance to flame propagation	Non-flame propagating
6.5 Electrical continuity characteristic	Yes
6.6 Electrical insulating characteristic	without electrical insulating characteristic
6.7 Degrees of protection provided by enclosure	IP 3XD IP 2X (for cat. nos movable columns)
6.9 The system access cover retention	with a tool
6.101 Floor treatment	Dry-treatment of floor
6.102 Resistance to vertical load	Non applicable
Electrical impedance	5mΩ/m
Transversal section	look at cabling capacity on following page
Protection against mechanical impact	IK07

■ 4.2 Composition of columns systems according to EN 50085-1 & EN 50085-2-4

Designation	Cat. nos
1 compartment	6 530 06/08/10/12/13/15
2 compartments	6 530 26/28/30/32/33/35
4 compartments	6 530 50/52


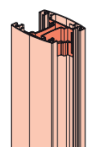
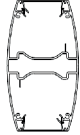
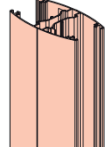
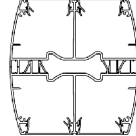
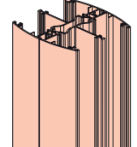
■ 4.3 Others characteristics

RoHs material	European directive 2002/95/CE : 27/01/2003
Product Environmental Profile : available	PEP sheet or document
Coating	Norme Internationale DIN EN ISO846

4. TECHNICAL CHARACTERISTICS & STANDARDS (cont.)

■ 4.4 Snap-on Cover 45 cabling capacity

		COLUMN PROFILE					
		75 mm		75 mm		125 mm	
		82 mm		125 mm		125 mm	
		1 COMPARTMENT		2 COMPARTMENTS		4 COMPARTMENTS	
		A	B	C	D	E	F
	Section (mm)	1440	20	3110	1470	2760	1110
Ø of cable	Ø7 mm	16	-	43	18	40	14
	Ø9 mm	10	-	26	11	23	8
	Ø11 mm	6	-	14	6	14	4

		According to the arrival of cables							
		1	2	3	4	5	6		
Ø of cable	Ø7 mm	14	16	32	12	12		 	
	Ø9 mm	8	12	20	6	6			
	Ø11 mm	4	6	12	4	4			
Ø of cable	Ø7 mm	42	26	86	12	12		 	
	Ø9 mm	24	14	52	6	6			
	Ø11 mm	16	8	28	4	4			
Ø of cable	Ø7 mm	52			12		28	 	
	Ø9 mm	32			6		16		
	Ø11 mm	24			4		8		

4. TECHNICAL CHARACTERISTICS & STANDARDS (cont.)

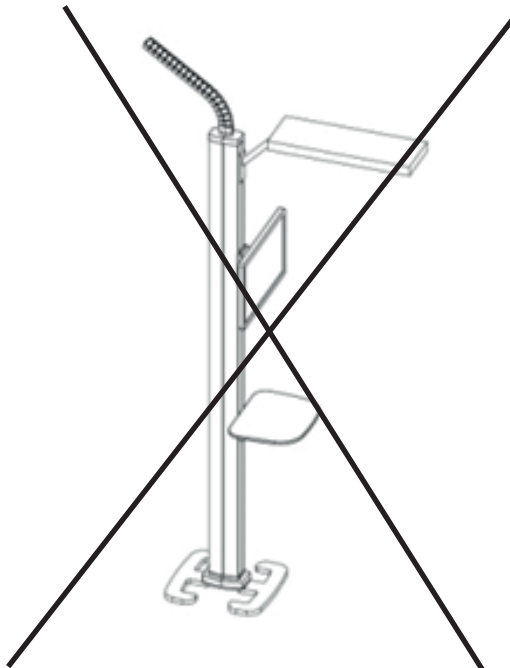
Only for movable columns

Allowed weights for the following accessories :

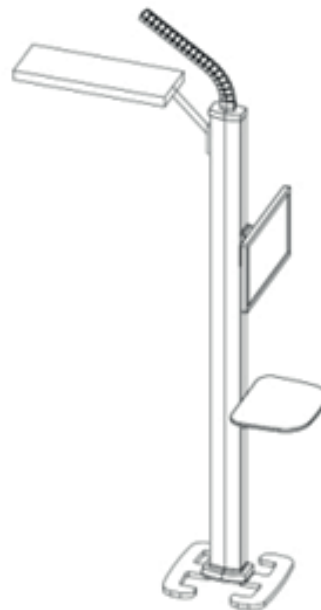
Accessories	Maxi weights allowed
Shelf cat. no 6 530 83	15 kg
Support for TV fixing 10-26 cat. no 6 530 81	15 kg
Support for TV fixing 26-42 cat. no 6 530 82	30 kg



NO

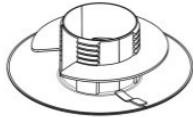


YES

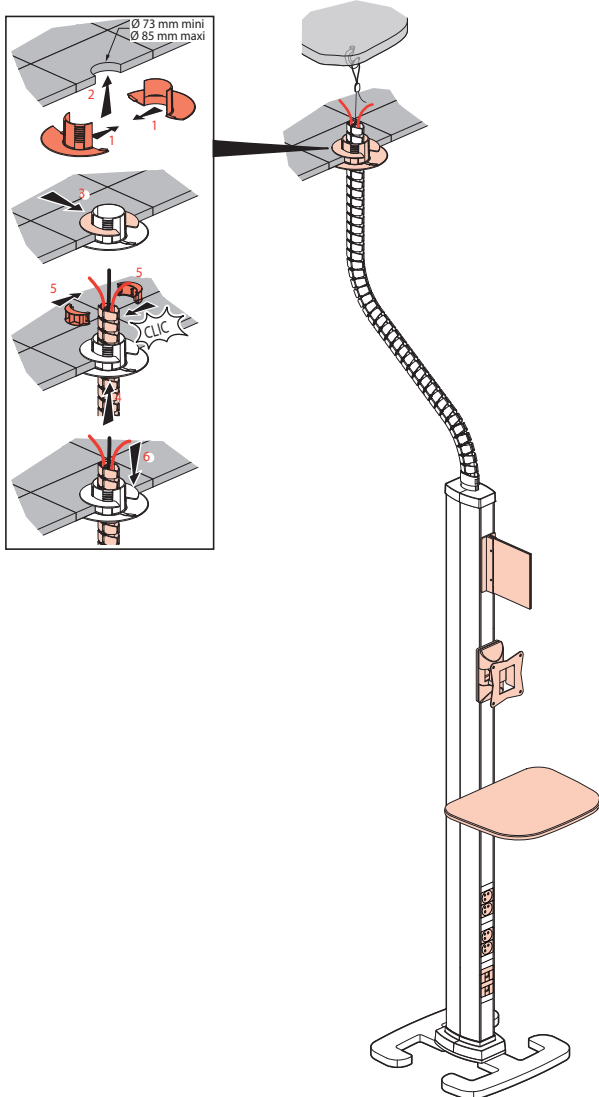


5. ACCESSORIES

■ **5.1 Junction for false ceiling cat. no 6 530 76 for movable columns**



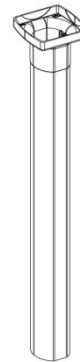
This junction allows one perfect finishing of the connection between the column and the false ceiling. In order to get a perfect integration, it is necessary to make a hole in the false ceiling.



Material : ABS and PETG

5. ACCESSORIES(cont.)

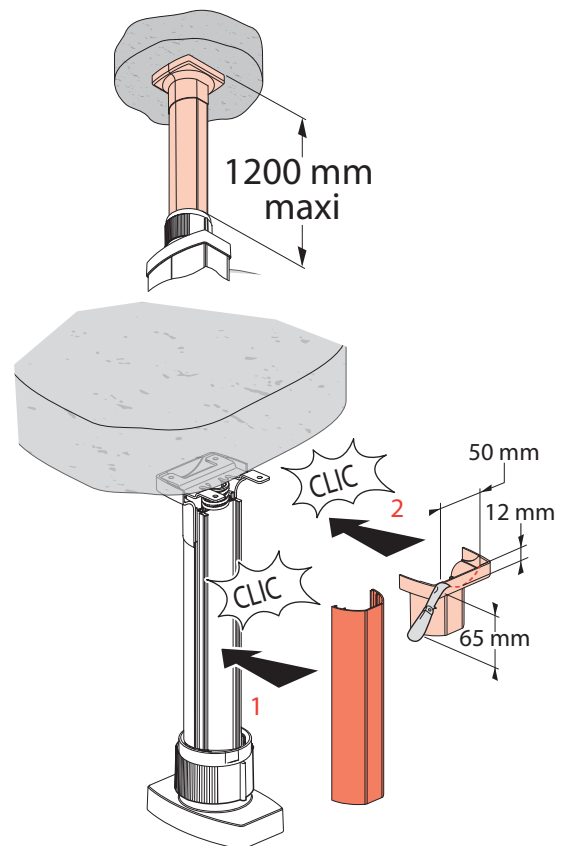
■ **5.2 Finishing kit for telescopic pole for 1 or 2 compartments columns cat. nos 6 530 66/67/68**



Cat. nos	Colours
6 530 66	white
6 530 67	grey
6 530 68	black

This kit allows an aesthetic finishing of telescopic pole, of the cable leading down and its height adjustment at the top of the column.

Consists of 2 PVC covers and a base



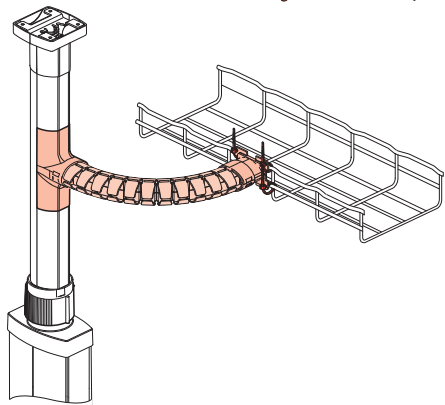
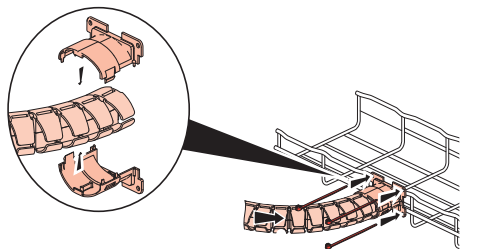
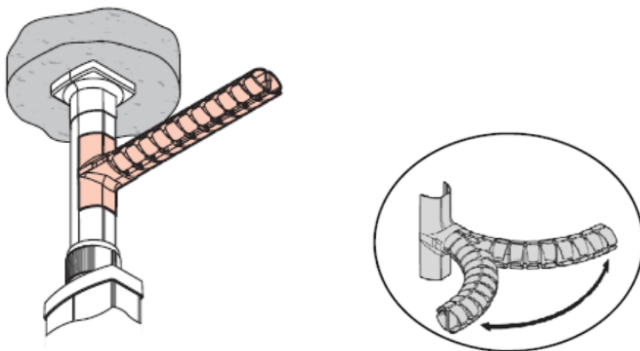
Material :
- covers : PVC
- base : ABS

5. ACCESSORIES(cont.)

■ **5.3 Flexible Ovaline kit cat. no 6 530 56 for telescopic pole finishing kit**



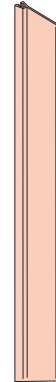
This 1 m length accessory allows one aesthetic horizontal connection between the column and cable trays.
To fix on the column.



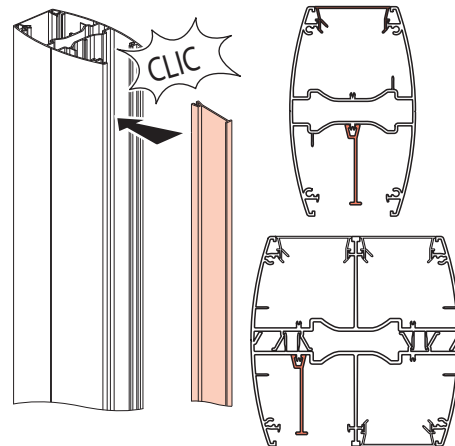
Material :
- Flexible Ovaline : Polypropylène
- Connection accessories : ABS

5. ACCESSORIES(cont.)

■ **5.4 Separation partition cat. no 6 038 07**

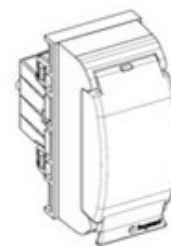


For 2 and 4 compartments snap-on mini-columns. It allows the separation in a same compartment, between power and data cables.



Material : PVC

■ **5.5 Supports for modular wiring devices**



Cat. nos	Colours
0 310 69	white
0 307 87	aluminium
6 530 75	black

For mounting modular wiring devices. To be used with two 0.5 module spacing units cat. no 4 063 07
Capacity : 1 module
Equipped with protective cover to prevent unwanted triggering

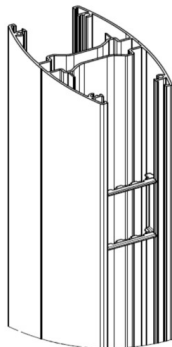
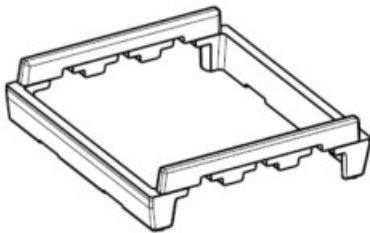
Material : ABS (back part) + PC (front part)

5. ACCESSORIES(cont.)

■ **5.6 - 90° Adaptor cat. no 6 530 79**

Adaptor for mounting Arteor or Mosaic wiring accessories horizontally via 90° rotation

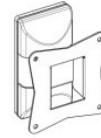
2 modules



5. ACCESSORIES(cont.)

■ **5.7 Support for fixing TV**

5.7.1 Support cat. no 6 530 81 for fixing TV 10-26 inch /25-66 cm (VESA 75x75 – 100x100)



Allowed maximum weight : 15 kgs

Material : Metal

5.7.2 Support cat. no 6 530 82 for fixing TV 26-42 inch/66-107 cm (VESA 200x100 – 200x200)

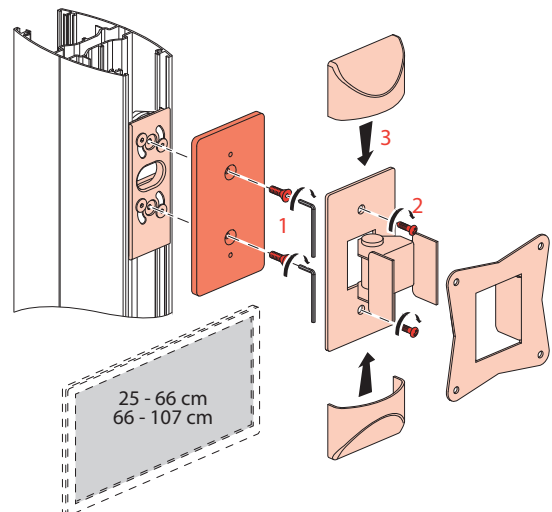


Orientation :

lateral	45° right – 45° left	
top and down	15°	

Allowed maximum weight : 30 kgs

Material : Metal



5. ACCESSORIES(cont.)

■ **5.8 Panel indicator cat. no 6 530 80**



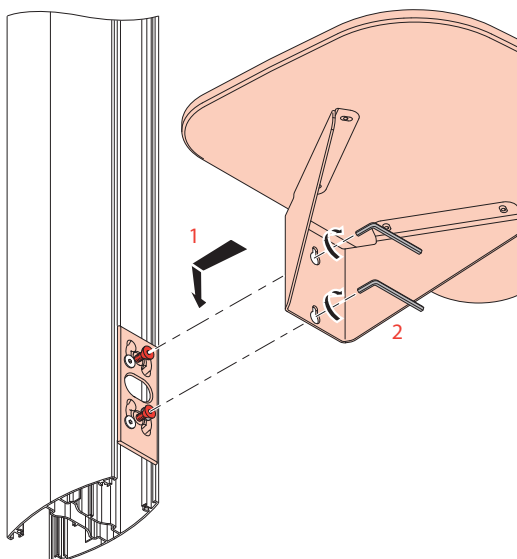
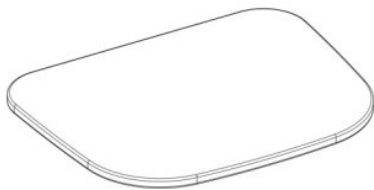
This simple and aesthetic accessory allows you to slide in any information.



Attention !! This accessory is not made for replacing one urgency emergency lighting luminaire and should not be considered as one.

Panel indicator dimension : 150 x150 mm
Material : Alu + glass

■ **5.9 White shelf cat. no 6 530 83**



Dimensions : 380 x 300 x 12 mm
Allowed maximum weight : 15 kg

Material :
- shelf = Corian® (cf §6.1)
- mounting bracket = steel

5. ACCESSORIES(cont.)

■ **5.10 Earth link cat. no 0 111 88**



Allows earth link for the mini-columns
(20 pcs/cat. no)

6. CORIAN

■ 6.1 Characteristics



PRODUCT

DuPont Corian® Solid Surface

SPONSOR

DuPont De Nemours (Belgium) BVBA

PRODUCT DETAILS

- Thickness: Between 6 mm and 12.3 mm (± 0.7 mm)
- Density: Between 1645 kg/m³ and 1770 kg/m³
- Colour/pattern: Any colour variation allowed
- Use of fire retardants: No
- Product composition: No variation allowed
- Product construction: No variation allowed

FIELD OF APPLICATION

- Construction applications used over any substrate with a density equal to or greater than 800 kg/m³, having a minimum thickness of 12.5 mm and a fire performance of A2 or better.
- Product installed utilizing Corian® silicone sealant only

CLASSIFICATION

C-s1,d0

STANDARDS


Test standards: EN ISO 11925-2:2002 & EN 13823:2002

Classification standard: EN 13501-1-2007

SIGNED BY


Niek De Pauw (Signature)
Project assistant
Ghent
2016.06.14 13:22:00 +02'00'

APPROVED BY


Bart Sette (Signature)
General Manager
2016.06.15 10:27:43
+02'00'

For and on behalf of WFRGENT nv

This short form classification report has been drafted according to EGOLF agreement EGA 08rev2:2013 "Application note: clause 5.10 [5.10/1] – Types of test reports used in fire testing". Whilst the test data and classification provided within this short form report was obtained in a test conducted fully in accordance with the standards EN ISO 11+25-2:2002, EN 13823:2002 and EN 13501-1:2007, the presentation of the results in this short form report may not satisfy the requirements of those standards and EN ISO/IEC 17025:2005/AC:2006. The presentation of the results in this manner is made by agreement with the sponsor and use of the information herein for product assessment, approval or certification purposes will be restricted.

The full classification report No.185122 (Issue 4) is available at DuPont De Nemours (Belgium) BVBA.

This document is the original version of this report and is written in English. This document may be used only literally and completely for publications. For publications of certain texts, in which this document is mentioned, our permission must be obtained in advance.

The authenticity of the electronic signatures is assured by Belgium Root CA.



WFRGENT NV - Ottengemsesteenweg-Zuid 711 - B-9000 Gent - België
t: +32 9 243 77 50 - f: +32 9 243 77 51 - e: info@wrgent.com
BTW/VAT/IVA: BE0870.418.414 - Ondernemingsnummer: RPR GENT 0870.418.414

WFRGENT NV is een spin-offbedrijf van de Universiteit Gent, voorheen Laboratorium voor Aanwending der Brandstoffen en Warmteoverdracht - Afdeling Brandveiligheid
WFRGENT NV is a spin-off company from the University of Ghent, previously the Laboratory for Heat Transfer and Fuel Technology - Fire Safety Division
WFRGENT SA est une compagnie spin-off de l'Université de Gand, autrefois le Laboratoire pour l'Emploi des Combustibles et la Transmission de la Chaleur - Division Sécurité Incendie

6. CORIAN (cont.)

■ **6.2 Cleaning**



Caring for DuPont™ Corian®

Pleje af DuPont™ Corian®

Pflegehinweise für DuPont™ Corian®

Uso y cuidado de DuPont™ Corian®

Entretien des produits DuPont™ Corian®

Cura dei materiali DuPont™ Corian®

Onderhoud van DuPont™ Corian®

Vedlikehold av DuPont™ Corian®

Wskazówki dotyczące użytkowania i konserwacji materiału DuPont™ Corian®

Skötsel av DuPont™ Corian®

DuPont™ Corian® 'ın Bakımı

Φροντίδα του DuPont™ Corian®

Уход за поверхностями DuPont™ Corian®


Corian.


ENDLESS EVOLUTION

6. CORIAN (cont.)

■ 6.2 Cleaning

 ENGLISH

Caring for DuPont™ Corian®

DuPont™ Corian® was created for a lifetime of easy care. Just follow the simple guidelines listed here to help keep your Corian® surfaces looking beautiful.

Routine care of your Corian® surface

For everyday cleaning, use soapy water or widely available surface cleaners.

Remove excess detergent with a soft cloth, rinse surface with warm water and dry with a soft cloth.

If necessary use a microfibre cloth and rub over the surface with an ammonia based cleaner, then rinse with water.

This procedure will remove most dirt and residue from your Corian® surfaces.

Always clean using a circular motion, from the front to the back, then side to side, overlapping the circles until the entire area has been cleaned. Do not use abrasive or mild abrasive cleaners on high gloss or dark surfaces.

Be aware that limescale can build up if water is left to dry on the surface.

To prevent this, it is important to wipe the surface completely dry with a microfibre cloth after spills and cleaning.

Some colours of Corian® may require more frequent cleaning to maintain a uniform finish.

Special care for stubborn stains

Residues from stubborn stains may require heavier cleaning.

Follow the recommendations below to clean these specific stains from your Corian® surface and shapes effectively.

Vinegar, coffee, tea, lemon juice, vegetable juice, dyes, ketchup, lily pollen, saffron, light scratches, cigarette burns, shoe polish, ink, marker pen, iodine, mildew, mercurochrome, blood, red wine, perfume:

Use a damp microfibre cloth and a mild abrasive cleaning product (except on high gloss or dark surfaces).

Grease, fat and oil residues: Use a microfibre cloth and rub over the stain with some diluted bleach.

Rinse several times with warm water and dry with a soft cloth.

Bleach can discolour DuPont™ Corian® if not removed completely by rinsing with water afterwards.

Hard water scale, soap, minerals: Use a microfibre cloth and rub over the stain with a standard household limescale remover or vinegar and leave for 2-4 minutes.

Using a second clean microfibre cloth, rinse the area thoroughly with water.

Nail varnish spills: Use a microfibre cloth and rub over the stain with a non-acetone based nail varnish remover. Rinse several times with warm water and dry with a soft cloth.

If the stain is still visible, repeat the operation, this time using very fine-grain sanding paper; If the stain persists, contact our Warranty Centre.

How to prevent permanent damage

Be sure to follow these guidelines to help prevent permanent damage to your Corian® installation.

Avoid getting strong chemicals – eg paint removers, oven cleaners, acid drain cleaners, acetone based nail varnish removers etc – on your surface. If a spill does occur, promptly flush the surface with water to fully rinse off the chemical.

Do not clean using aggressive chemical agents such as acetone, oven cleaners, thinners, strong acids (muriatic acid etc) or strong bases (caustic soda etc), or industrial detergents or paint solvents.

If a spill does occur, promptly flush the surface with water to fully rinse off the chemical.

Do not use metal scrapers, iron brushes or other domestic metal tools to remove stains, paints, plaster or other substances.

In the case of severe damage, please contact the DuPont™ Corian® Warranty Centre, which will put you in touch with a local DuPont™ Corian® Quality Network Industrial Partner or Service Centre for professional re-sanding or repairing of your DuPont™ Corian® installation. DuPont™ Corian® Quality Network Service Centres are certified by DuPont to carry out expert repair and finishing work. They can also handle installation work and offer maintenance contracts to commercial customers to maintain DuPont™ Corian® installations in prime condition.

Kitchen applications

SPECIAL CARE FOR SINKS

Remove all the fat and oil residues resulting from food preparation from the sink, using a detergent or surface cleaner. If necessary, use a mild abrasive cleaning pad or sponge.

Fill the sink with diluted household bleach (25% bleach and 75% water) and leave for ½ hour. Afterwards, rinse thoroughly – you should have a beautifully clean sink, with very little effort.

6. CORIAN (cont.)

■ 6.2 Cleaning

ENGLISH

PREVENTING HEAT AND OTHER DAMAGE

It is important to minimise direct heat exposure to protect your Corian® surface. Always use a heat protection pad, trivet (with rubber feet) or protective sink mat for hot cookware, or leave cookware to cool on the hob first. Never put hot pans, particularly cast iron pans, directly onto a DuPont™ Corian® top or in a Corian® sink. Always use the correct size pan on the hob and place it centrally on the ring. An overhanging pan can scorch the surrounding surface.

As with most sinks, pouring boiling liquids directly into a DuPont™ Corian® sink without running cold water at the same time may damage the material. If you have an instant boiling water tap, a container should always be used to collect the water as boiling water from this type of tap may cause surface damage in and around the sink. Do not cut directly on Corian® surfaces. Use a chopping board.

Bathroom applications

DAILY MAINTENANCE OF WASH BASINS, SHOWER TRAYS AND BATHTUBS

Simply clean the surface with soapy water or any common detergent in order to remove most of the stains and dirt that may be deposited. Gel or creamy detergents are particularly recommended, together with a mild abrasive cleaning pad or sponge, ensuring that you rinse the treated area properly.

By doing this, the original matt finish will be maintained. Some substances such as ink, cosmetics and dyes may release colour onto the surface after extended contact with the surface.

All of these can easily be removed by following the special instructions for stubborn stains.

ATTENTION

Shower trays and bathtubs cannot be used autonomously by people with reduced motor skills, or with sensory and/or cognitive impairments (including children).

For your personal safety, use them at a maximum water temperature of 40°C.

Avoid using them in the vicinity or while using electrical appliances.

Pay special attention when using shower trays and bathtubs alone or after taking medicines.

Guaranteed Quality

With proper care, your Corian® surface will stay looking like new. Your DuPont™ Corian® surface carries a Limited Installed Warranty when fabrication and installation are carried out by a Corian® Industrial Partner and member of the Corian® Quality Network. If you decide to sell your home, your warranty is transferable to the new owners. For complete details, go to our website (www.corian.com) to review the warranty guidelines applicable for your product.

This information is based on technical data that E. I. du Pont de Nemours and Company and its affiliates ("DuPont") believe to be reliable, and is intended for use by persons having technical skill and at their own discretion and risk. DuPont cannot and does not warrant that this information is absolutely current or accurate, although every effort is made to ensure that it is kept as current and accurate as possible. Because conditions of use are outside DuPont's control, DuPont makes no representations or warranties, express or implied, with respect to the information, or any part thereof, including any warranties of title, non-infringement of copyright or patent rights of others, merchantability, or fitness or suitability for any purpose and assumes no liability or responsibility for the accuracy, completeness, or usefulness of any information. This information should not be relied upon to create specifications, designs, or installation guidelines. The persons responsible for the use and handling of the product are responsible for ensuring the design, fabrication, or installation methods and process present no health or safety hazards. Do not attempt to perform specification, design, fabrication, or installation work without proper training or without the proper personal protection equipment. Nothing herein is to be taken as a license to operate under or a recommendation to infringe any patents. DuPont shall have no liability for the use of or results obtained from such information, whether or not based on DuPont's negligence. DuPont shall not be liable for (i) any damages, including claims relating to the specification, design, fabrication, installation, or combination of this product with any other product(s), and (ii) special, direct, indirect or consequential damages. DuPont reserves the right to make changes to this information and to this disclaimer. DuPont encourages you to review this information and this disclaimer periodically for any updates or changes. Your continued access or use of this information shall be deemed your acceptance of this disclaimer and any changes and the reasonableness of these standards for notice of changes.



7. SPARE PARTS

			COLUMNS				SPARE PARTS		
			2m	3,3m	2,8m to 4,05m	4,05m to 5,3m			
			mobile	standard	standard	standard	Upper & lower caps (2 parts)		
Snap-on		1 cpt 2 sides	6 530 06		6 530 10	6 530 13	980982		
			6 530 07		6 530 11	6 530 14	980983		
			6 530 08		6 530 12	6 530 15	980984		
		2 cpt	6 530 26		6 530 30	6 530 33	980985		
			6 530 27		6 530 31	6 530 34	980986		
			6 530 28		6 530 32	6 530 35	980987		
		4 cpt		6 530 50			980988		
				6 530 51			980989		
				6 530 52			980990		

			COLUMNS				SPARE PARTS		
			2m	3,3m	2,8m to 4,05m	4,05m to 5,3m			
			mobile	standard	standard	standard	Telescopic pole cap (2 parts)		
Snap-on		4 cpt		6 530 50			980979		
				6 530 51			980980		
				6 530 52			980981		