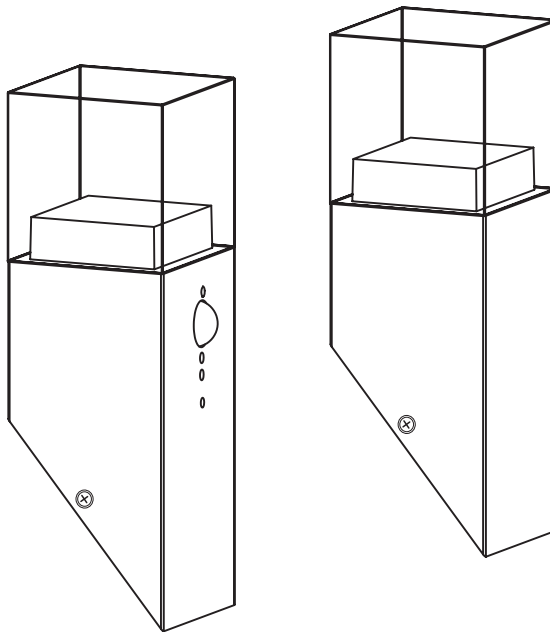
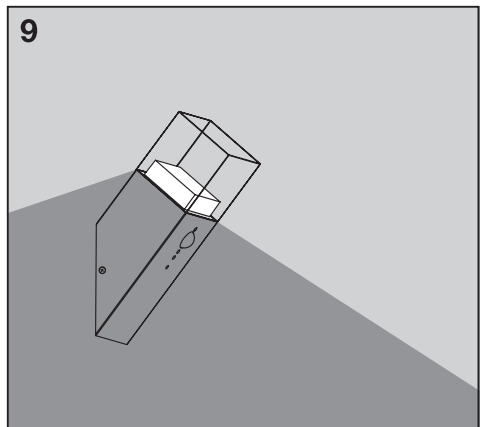
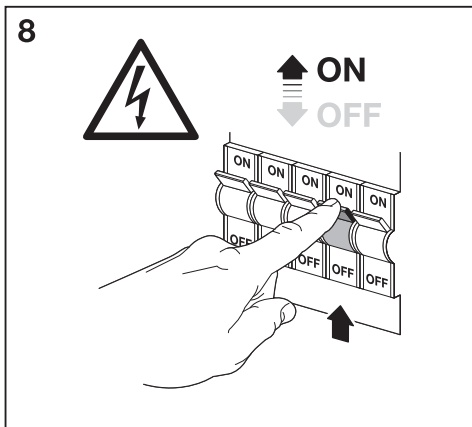
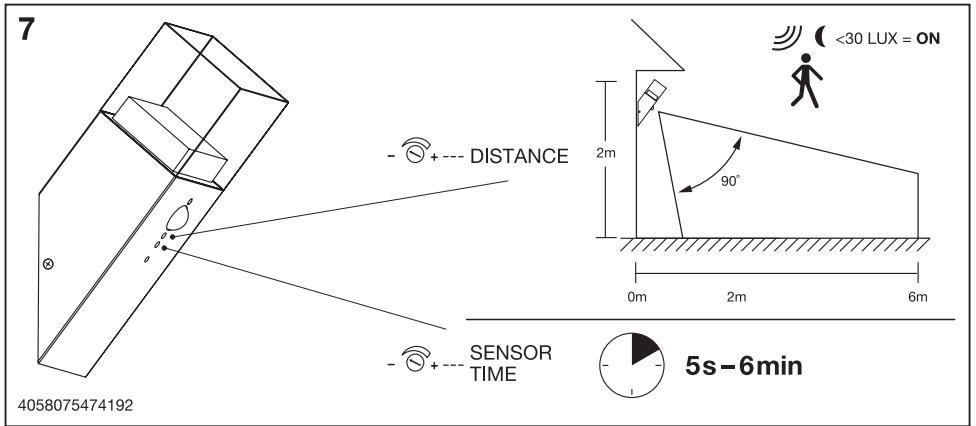
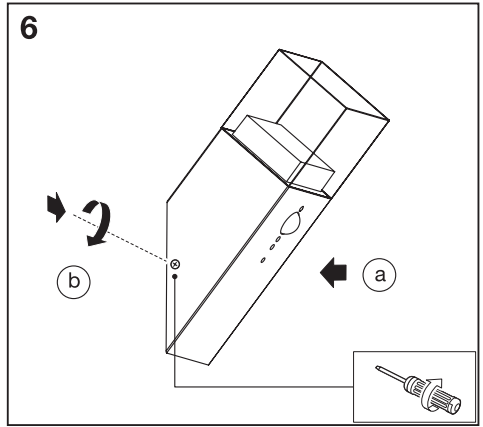
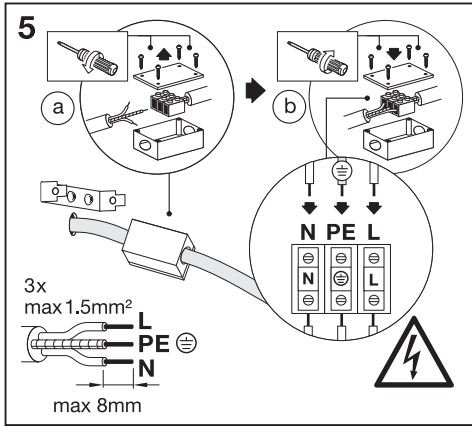



ENDURA® STYLE



	EAN	W	lm	K	🌡️ (°C)	V~	mA	Hz	DF
ENDURA STYLE CRYSTAL TORCH SEN 5WST	4058075474192	4.9	400	3000	-20...+50	220-240	60	50/60	>0.5
ENDURA STYLE CRYSTAL TORCH 4.5W ST	4058075474215	4.5	400	3000	-20...+50	220-240	40	50/60	>0.5



	EAN	This product contains a light source of energy efficiency class	Contained Light Source
ENDURA STYLE CRYSTAL TORCH SEN 5WST	4058075474192	E	
ENDURA STYLE CRYSTAL TORCH 4.5W ST	4058075474215	E	



C10449057
G11121834
08.04.2022



LEDVANCE GmbH
Steinerne Furt 62
86167 Augsburg, Germany
www.ledvance.com