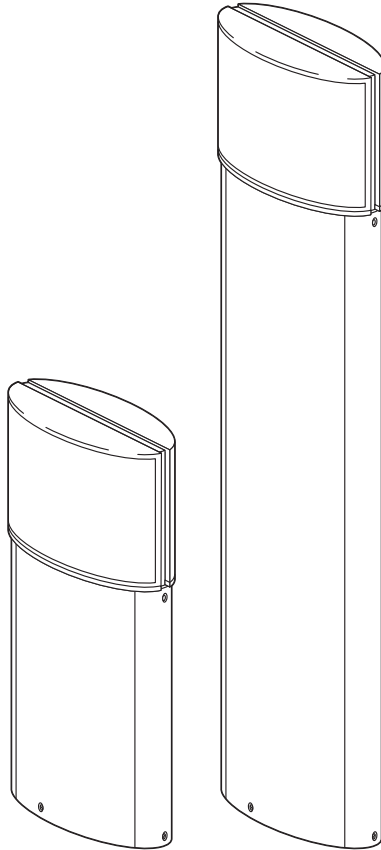
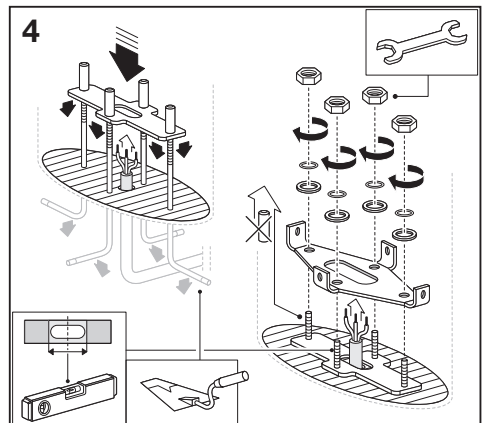
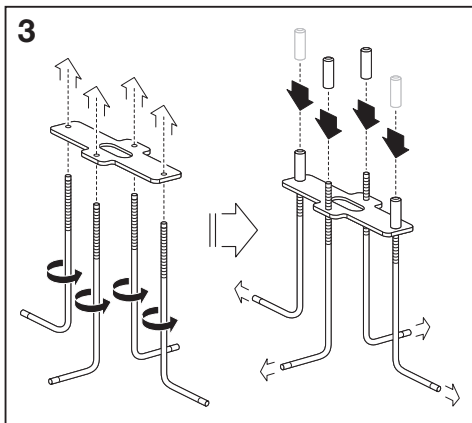
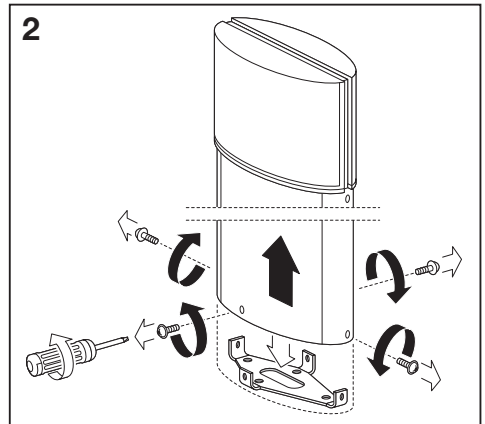
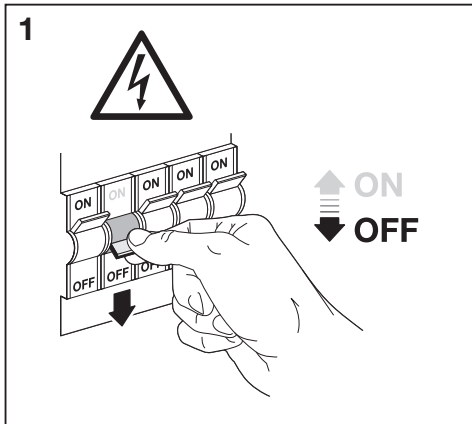
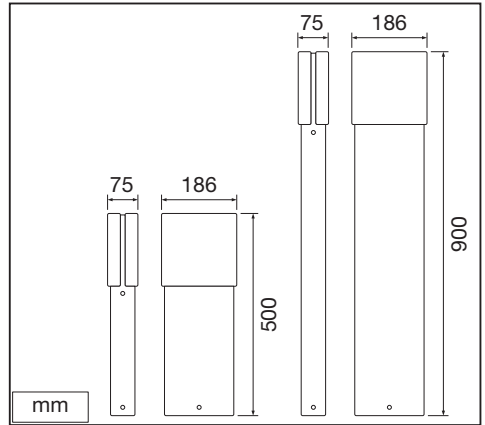
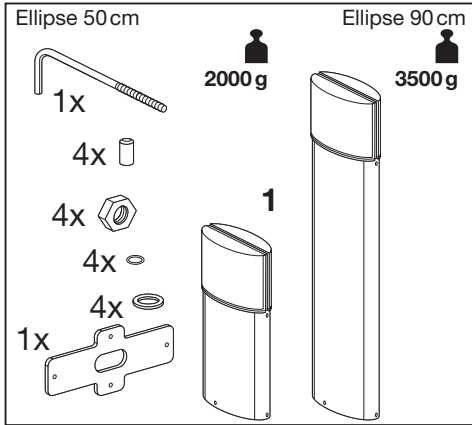
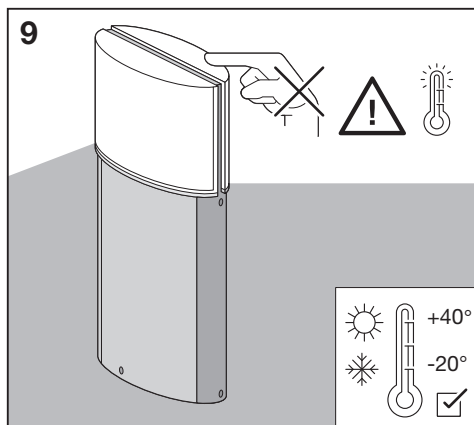
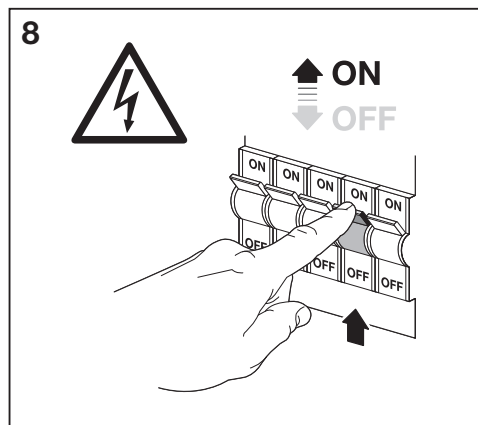
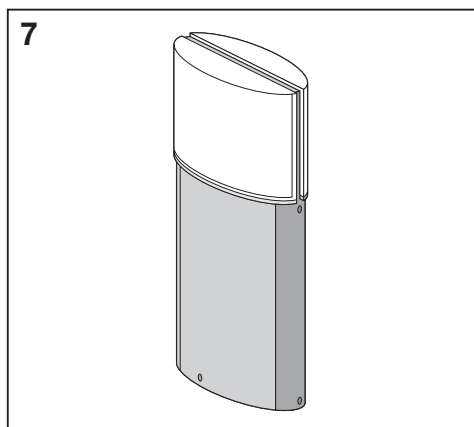
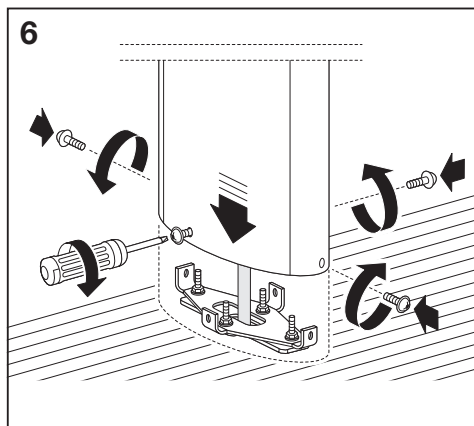
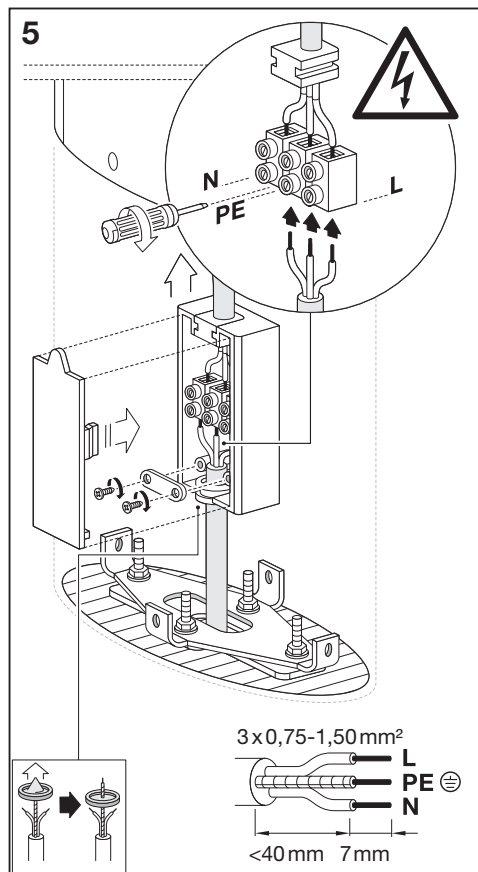



**ENDURA® STYLE
ELLIPSE**



	EAN	W	lm	K	Θ_{amb} (°C)	V~	mA	Hz	DF
ENDURA® STYLE ELLIPSE 50 CM 13 W DG	4058075205093	12.5	950	3000	-20...+40	220-240	70	50/60	>0.7
ENDURA® STYLE ELLIPSE 90 CM 13 W DG	4058075205116	12.5	950	3000	-20...+40	220-240	70	50/60	>0.7





	EAN	This product contains a light source of energy efficiency class	Contained Light Source
ENDURA® STYLE ELLIPSE 50 CM 13W DG	4058075205093	E	
ENDURA® STYLE ELLIPSE 90 CM 13W DG	4058075205116	E	



C10449057
G11120230
21.05.2021



LEDVANCE GmbH
Steinerne Furt 62
86167 Augsburg, Germany
www.ledvance.com