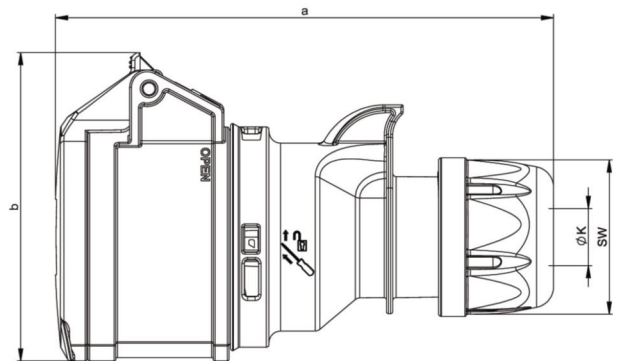


## PCE data sheet

|                        |   |
|------------------------|---|
| article#               | <b>225-4</b>  |
| article description    | <b>CEE-connector 32A 5p 4h IP44/IP54 SHARK</b>  |
| description long       | CEE-connector 32A 5p 4h IP44/IP54 SHARK<br>housing material: PA6<br>rated current: 32A<br>number of poles: 5 (3P+N+PE)<br>clock-position: 4h<br>rated voltage/frequency: 57/100V~ - 75/130V~ / 50+60Hz<br>contacts: brass<br>connection technology: screw terminals<br>IP protection class: IP44/IP54 |
| GTIN (EAN)             | 9003399139468   |
| country of origin      | AT  |
| customs number         | 85366990  |
| net weight             | 0.270 kg  |
| packaging quantity     | 10  |
| minimum order quantity | 10  |

|                           |                         |
|---------------------------|-------------------------|
| ETIM 7.0                  | EC001320                |
| IEC-amperage              | 32 A                    |
| Number of poles           | 5                       |
| Voltage acc. EN 60309-2   | 110 V (50+60 Hz) yellow |
| Clock hour position       | 4 h                     |
| Identification colour     | Yellow                  |
| Degree of protection (IP) | IP44                    |
| Connection system         | Screwed terminal        |
| Angle of plug             | Straight                |
| Cable entry               | Swivel                  |
| Material                  | Plastic                 |
| Contact material          | CuZn                    |
| Surface finish contacts   | Untreated               |

|                    |                       |
|--------------------|-----------------------|
| a                  | 168 mm                |
| b                  | 99 mm                 |
| K (cable Ø)        | 11,5-22 mm            |
| SW                 | 50 mm                 |
| wire flexible      | 2,5-6 mm <sup>2</sup> |
| contact screws     | 110 Ncm               |
| strain relief      | 600 Ncm               |
| dismantling length | 50 mm                 |
| stripping length   | 12-14 mm              |



[www.manufacturer-safety.info](http://www.manufacturer-safety.info)