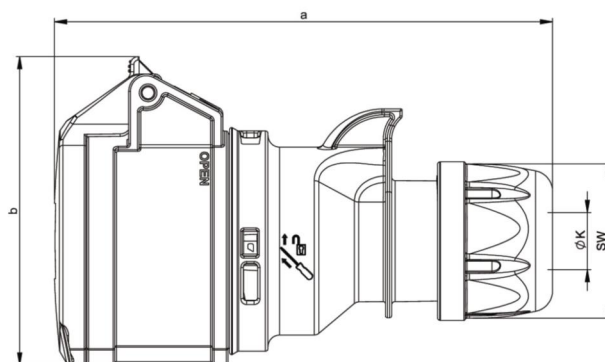


## PCE data sheet

article#	<b>225-7v</b>
article description	<b>CEE-connector 32A 5p 7h IP44/IP54 SHARK</b>
description long	CEE-connector 32A 5p 7h IP44/IP54 SHARK housing material: PA6 rated current: 32A number of poles: 5 (3P+N+PE) clock-position: 7h rated voltage/frequency: 277/480V~ - 288/500V~ / 50+60Hz contacts: brass nickel plated connection technology: screw terminals IP protection class: IP44/IP54
GTIN (EAN)	9003399153082
country of origin	AT
customs number	85366990
net weight	0.270 kg
packaging quantity	10
minimum order quantity	10

ETIM 7.0	EC001320
IEC-amperage	32 A
Number of poles	5
Voltage acc. EN 60309-2	500 V (50+60 Hz) black
Clock hour position	7 h
Identification colour	Black
Degree of protection (IP)	IP44
Connection system	Screwed terminal
Angle of plug	Straight
Cable entry	Swivel
Material	Plastic
Contact material	CuZn
Surface finish contacts	Nickel-plated

a	168 mm
b	99 mm
K (cable Ø)	11,5-22 mm
SW	50 mm
wire flexible	2,5-6 mm <sup>2</sup>
contact screws	110 Ncm
strain relief	600 Ncm
dismantling length	50 mm
stripping length	12-14 mm



[www.manufacturer-safety.info](http://www.manufacturer-safety.info)