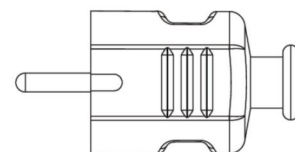
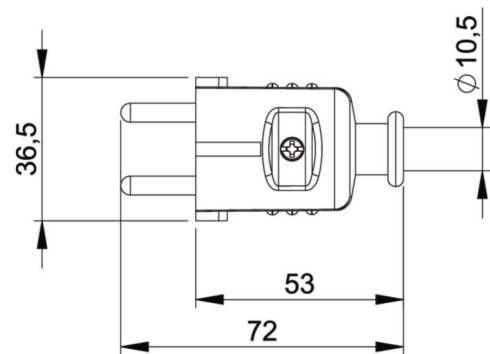


PCE data sheet

article#	02961
article description	safety plug PP nat central brown IP20
description long	safety plug PP nat central brown IP20 housing material: polypropylen (PP) cable entry: central housing color: brown earthing system: Austrian/German standard 250V 16A 2P+E protection rating: IP20
GTIN (EAN)	9003399008986
country of origin	DE
customs number	85366990
net weight	0.035 kg
packaging quantity	50

ETIM 7.0	EC000242
Model	Protective contact (SCHUKO)
Material	Plastic
Material quality	Thermoplastic
For heavy conditions (in accordance with VDE)	False
Degree of protection (IP)	IP20
Angle of plug	Straight
Connection system	Screwed terminal
Colour	Brown
Number of poles	3
Nominal voltage	250 V
Nominal current	16 A
Protective earth pin round	False

K (cable Ø)	10,4 mm
wire flexible	0,75-2,5 mm ²
contact screws	40 Ncm
strain relief	50 Ncm
dismantling length	40-45 mm
stripping length	7 mm



www.manufacturer-safety.info