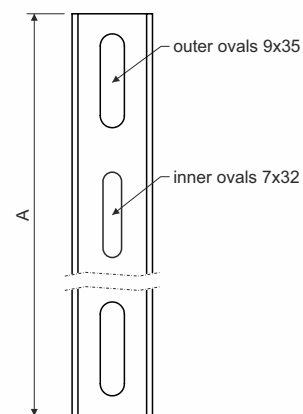
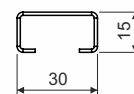


type number	A	for width of cable tray	thickness of metal sheet	w eight
	mm	mm	mm	kg/pc
NP 100_S	100	50	1,2	0,06
NP 150_S	150	100	1,2	0,08
NP 200_S	200	150	1,2	0,11
NP 250_S	250	200	1,2	0,14
NP 300_S	300	250	1,2	0,17
NP 350_S	350	300	1,2	0,20
NP 100_F	100	50	1,2	0,07
NP 150_F	150	100	1,2	0,10
NP 200_F	200	150	1,2	0,13
NP 250_F	250	200	1,2	0,17
NP 300_F	300	250	1,2	0,20
NP 350_F	350	300	1,2	0,23



product description: The load bearing profile is intended as a support for the installation of cable ladders or trays. The load bearing profile is fixed by using two threaded rods ZT 8 + nut M 8 + washer PD 8.
The size of the load bearing profile is determined according to the width of the cable tray or cable ladder + 50 mm, for example for a cable tray that is 100 mm wide, order NP 150.

surface finish: S - Pre-Galvanized, zinc-layer 15 - 27 µm
F - Hot Dip Galvanized, zinc-layer 45 µm (min. 35 µm)

sales amount: á 1 pc

storage: ČSN EN 60721-3-1

