

PHILIPS

Ledinaire

Office Sensor EcoSet



Specification Sheet

Ledinaire office sensor EcoSet

EXT2010 OCC DL PIR AC Sensor RS WH ESW

Introducing the wireless Philips Ledinaire office sensor EcoSet. This occupancy & daylight office sensor operates Philips Ledinaire panel(s) EcoSet. The 2.4GHz BLE mesh technology enables **simple** and **reliable** communication towards the lights in your space.

The sensor triggers automatic responses to turn on/off or dim the lights based on occupancy & daylight detection. Simple & hassle-free setup using Ledinaire remote control EcoSet, your setup is ready in minutes. A Ledinaire wall switch EcoSet is available as accessory for (optional) manual control of lights.

Suitable for offices

EcoSet EXT2010 OCC DL PIR AC Sensor RS WH ESW

Product Features

Occupancy Detection

- Passive Infrared (PIR) technology for motion detection
- Minimum false triggers

Daylight Control

- Daylight step-dimming

Installation

- AC powered
- Surface & Recessed mounting

Environment

- ROHS compliant
- No Mercury
- Low Carbon Footprint

Connectivity

- 2.4 GHz BLE mesh networking technology
- Reliable and secure wireless communication,
- control power range 3-15 m
- Easy commissioning
- Operate with Philips Ledinaire panel(s) EcoSet.

Control Functionality

- Automatic light control based on occupancy & daylight detection.
- Adjustable sensor parameters for personalized lighting behaviors.

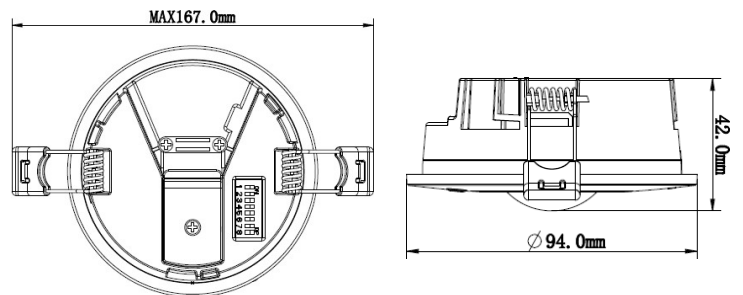
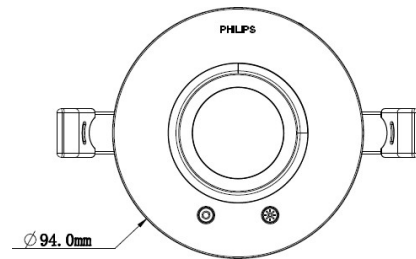
Reliability

- Reliable operation between -20 °C and 50 °C ambient temperature.*
- IP20

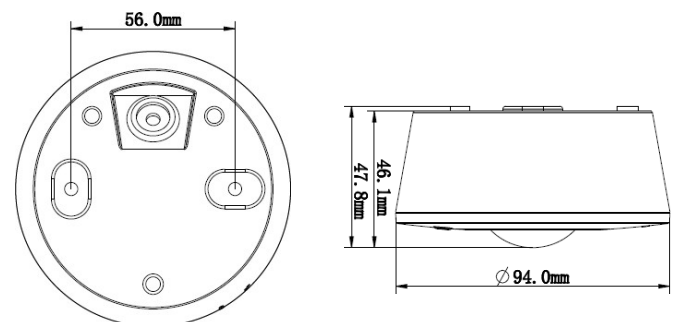
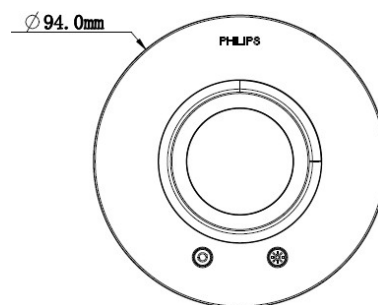
* PIR sensing performance is affected by the difference in temperature between the moving object and the ambient.

Dimensional drawings

Recessed mounting



Surface mounting



EcoSet EXT2010 OCC DL PIR AC Sensor RS WH ESW

* All specifications are typical and at Tc = 25 °C unless otherwise specified.

Occupancy sensing

Type	Passive infrared (PIR)
Hold time	3(default)/10/15/30mins
Installation height	2.5 – 5m
Detection range (@3m installation height)	2 – 3m minor movement
	5m major movement

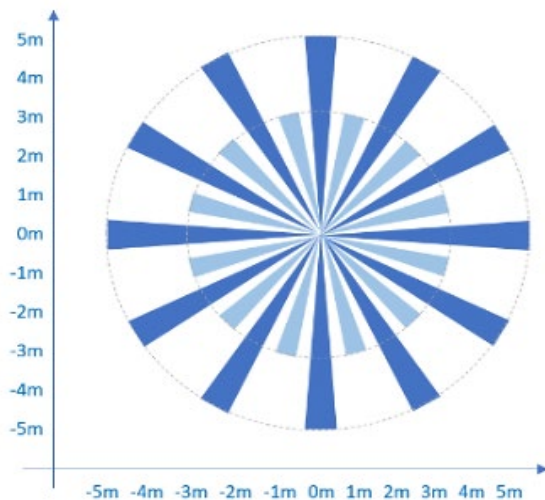
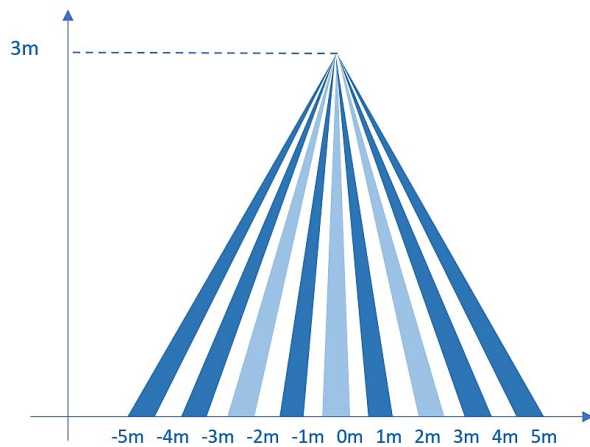
Daylight sensing

Daylight based control	Default disabled
Daylight dimming level	20%/30%/50%(default)/70%

Occupancy detection range diagram

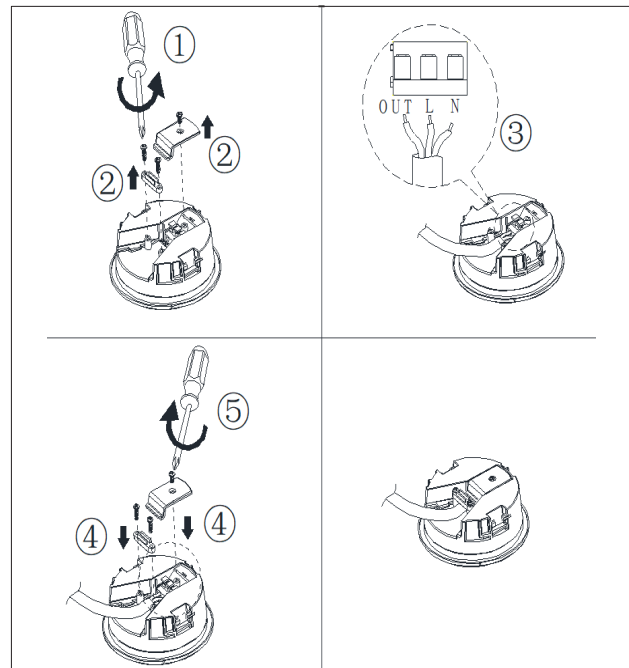
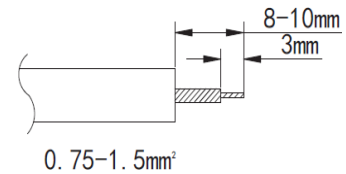
* Testing condition:

1) 3m installation height; 2) 25°C room temperature



Electrical installation

Installation (cable wiring)



Warnings



The Sensor should not be used in the following situations:

- Environmental conditions other than in a normal environment (high temperature, humidity).
- It should not be mounted in direct line of air flow e.g., in front of Air Conditioning vent.
- In applications with heat sources like electrical heaters are within the detection range of the sensor.

Specifications

General

Net weight	133g
Material	PC
Storage temperature	-25 to +85 °C
Operational temperature	-20 to +50 °C
Storage humidity	0% to 95% no condensation
Operational humidity	0% to 95% no condensation
Protection Class	IP20

Technical data

Mains connection voltage	220 – 240 Vac; 50 / 60Hz
Mains surge immunity	1kV / 2kV
Stand-by power consumption	< 0.5W
Normal power consumption	< 0.5W
Applicable wire range	0.75 to 1.5 mm ²
Angel blocker	Yes
RF power range open-air	3-15 m
Control method	BLE Mesh
System compatibility	EcoSet
Approbation	CE, CB, RED

Note: All specifications are typical and at Tc = 25 °C unless otherwise specified.

Packaging Data

Type	Box dimensions (mm)	Qty	Material	Weight (Kg)	
				net	gross
EXT2010 Unit Box	105x75x105	1	Cardboard	0.133	0.21
EXT2010 Outer Box	390x220x122	10	Cardboard	1.33	2.34

Ordering Data

Type	Qty	12NC
EcoSet EXT2010 OCC DL PIR AC Sensor RS WH ESW	1	9114 015 62943

© 2023 Signify Holding. All rights reserved. Specifications are subject to change without notice. No representation or warranty as to the accuracy or completeness of the information included herein is given and any liability for any action in reliance thereon is disclaimed. Philips and the Philips Shield Emblem are registered trademarks of Koninklijke Philips N.V. All other trademarks are owned by Signify Holding or their respective owners.



www.philips.com/lighting