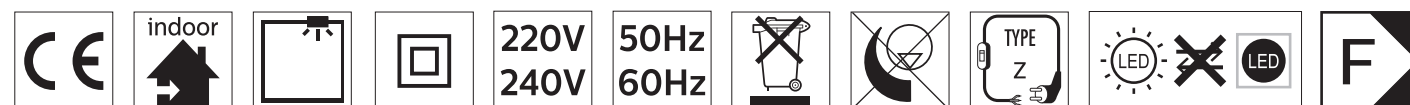
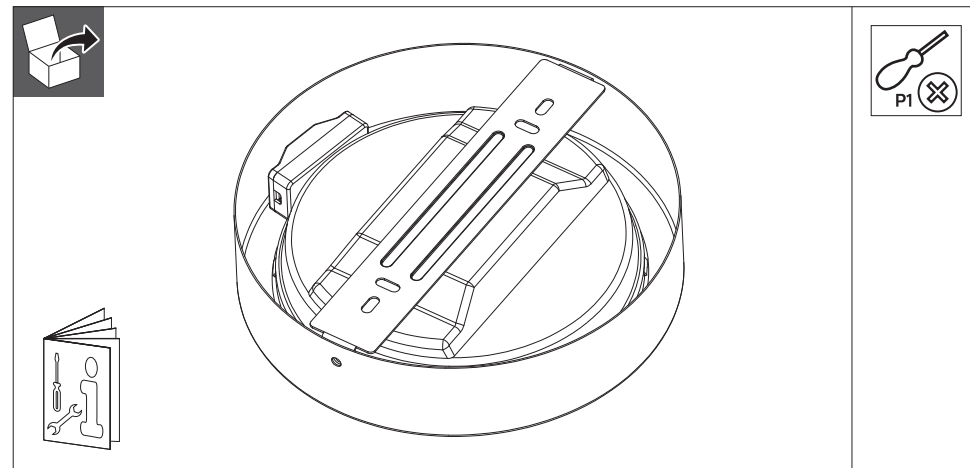


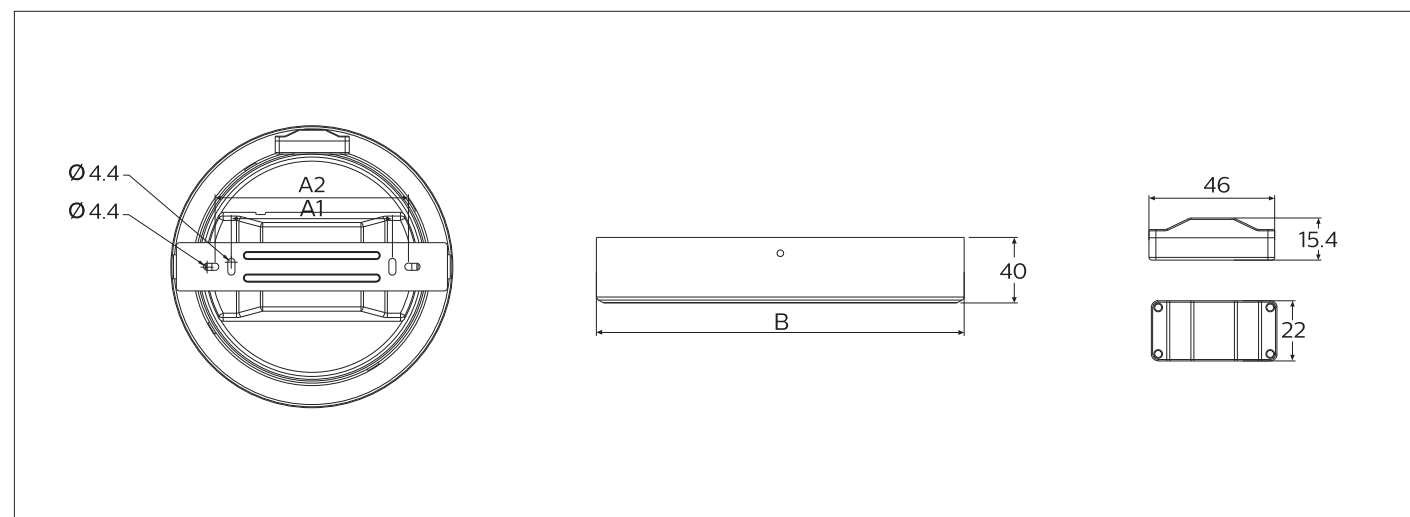
# PHILIPS

## Ledinaire Surface Downlight

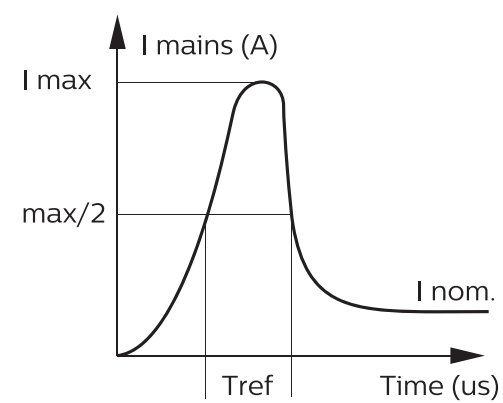
DN065C



|                   | 10NC       | Output (lm) | P (W) | A1  | A2      | B   | kg   |
|-------------------|------------|-------------|-------|-----|---------|-----|------|
| DN065C LED10S 830 | 9290026644 | 1000        | 11    | 100 | 120-130 | 175 | 0.47 |
| DN065C LED10S 840 | 9290026645 | 1000        |       |     |         |     |      |
| DN065C LED20S 830 | 9290026646 | 2000        | 20    | 100 | 120-130 | 225 | 0.70 |
| DN065C LED20S 840 | 9290026647 | 2000        |       |     |         |     |      |



### Inrush current



|                            | LED10S | LED20S |
|----------------------------|--------|--------|
| Electrical characteristics |        |        |
| I <sub>max</sub> (A)       | 5.05   | 5.18   |
| T <sub>ref</sub> (μs)      | 30     | 31     |
| MCB Luminaires Max.        |        |        |
| B-10 A                     | 175    | 93     |
| B-13 A                     | 227    | 122    |
| B-16 A                     | 280    | 150    |
| C-10 A                     | 175    | 93     |
| C-13 A                     | 227    | 122    |
| C-16 A                     | 280    | 150    |

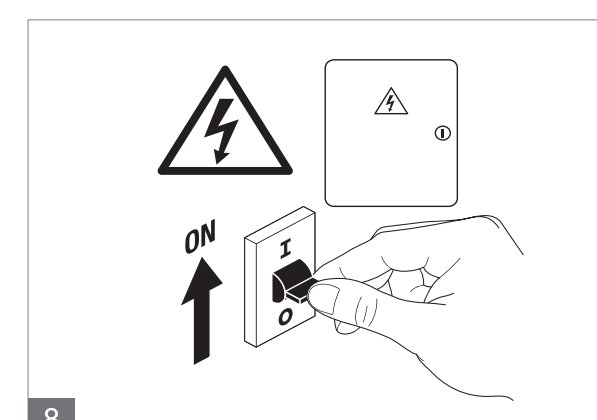
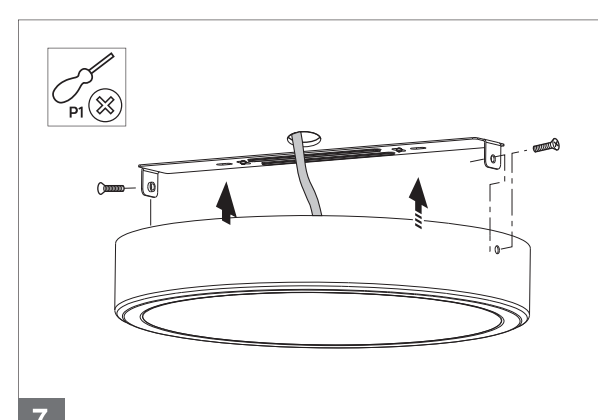
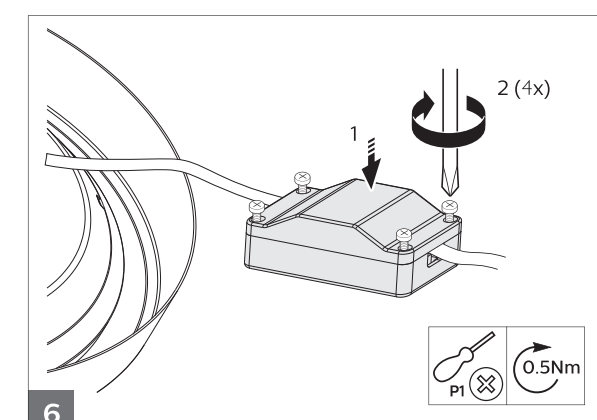
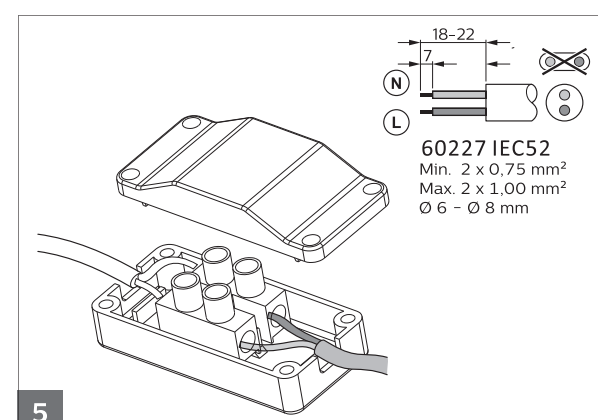
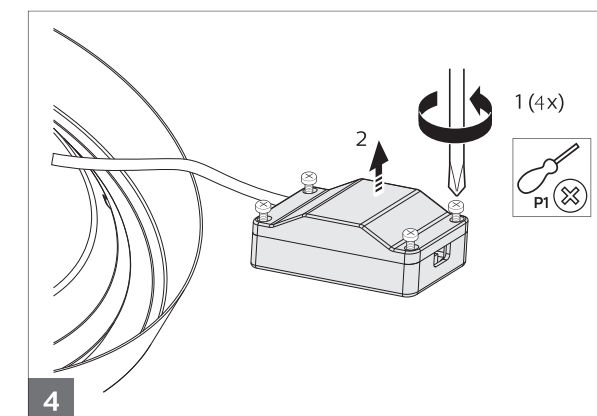
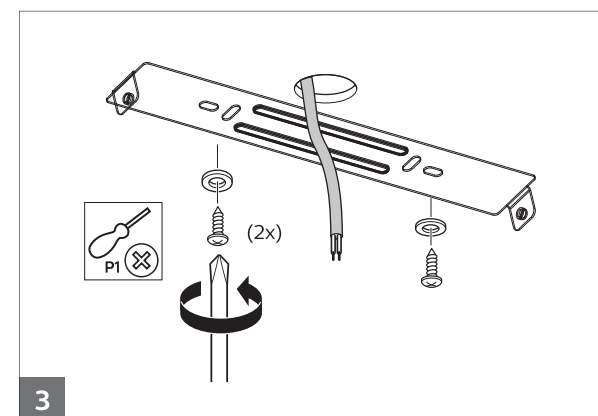
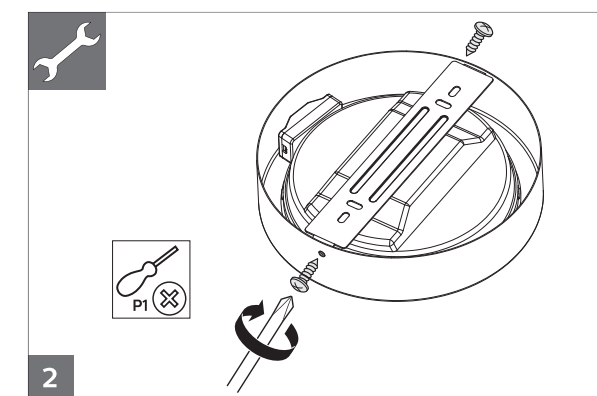
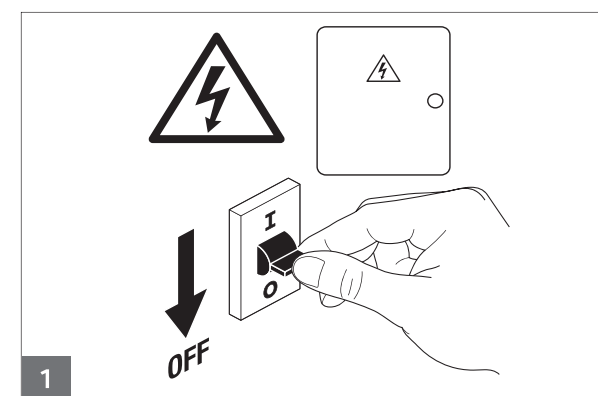
© 2021 Signify Holding  
©ignify

Philips and the Philips Shield Emblem are registered trademarks of Koninklijke Philips N.V.  
3241 658 39791

1/2

Signify  
I.B.R.S. / C.C.R.I. Numéro 10461  
5600 VB Eindhoven, the Netherlands  
000800-74454775

Signify Commercial UK Limited  
Unit 3, Guildford Business Park,  
Guildford, Surrey, GU2 8XG, UK



EN

Please read this manual carefully before using the product.

- For indoor use only.
- Do not switch on before complete installation.
- The luminaire shall be installed by a qualified electrician and wired in accordance with the latest IEE electrical regulations or the national requirements.
- The external flexible cable or cord of this luminaire cannot be replaced; if the cord is damaged, the luminaire shall be destroyed.
- The luminaire is complied with IEC 60598.
- Luminaire must not be used or stored in corrosive environment where hazardous materials such as Sulphur, Chlorine, phthalates, etc. are present.
- Non-replaceable light source: The light source of this luminaire is not replaceable; when the light source reaches its end of life the whole luminaire shall be replaced.
- This product contains a light source of energy efficiency class F.



This marking indicates that this product should not be disposed with other household wastes throughout the EU. To prevent possible harm to the environment or human health from uncontrolled waste disposal, recycle it responsibly to promote the sustainable reuse of material resources. To return your used device, please use the return and collection systems or contact the retailer where the product was purchased. They can take this product for environmental safe recycling.