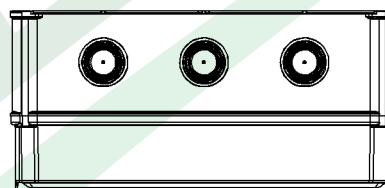
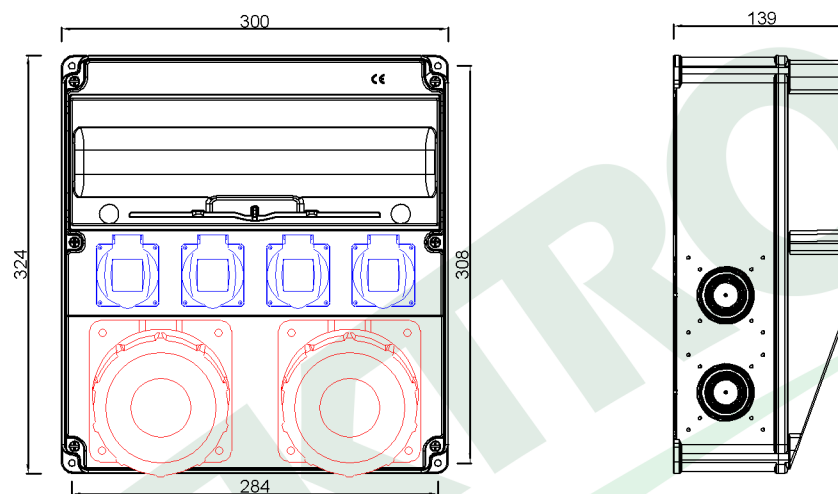


wymiary w [mm]
dimensions [mm]



**PARAMETRY
PARAMETERS**

obudowa box	IP66
gniazda sockets	IP44
zaciski terminal	N & PE
dławica cable gland	PG21

**OKABLOWANIE GNIAZD
Sockets wiring**

63A/5p	10mm ² H07V-K /LgY/ 450/750V
230V	1.5mm ² H07V-K /LgY/ 450/750V

F3.2884

Roz. CAJA 15M 2x63/5, 4x230V IP44
Distribution box CAJA 15M 2x63/5, 4x230V IP44

F-ELEKTRO

www.f-elektro.com,
e-mail: info@f-elektro.com