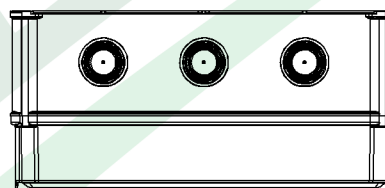
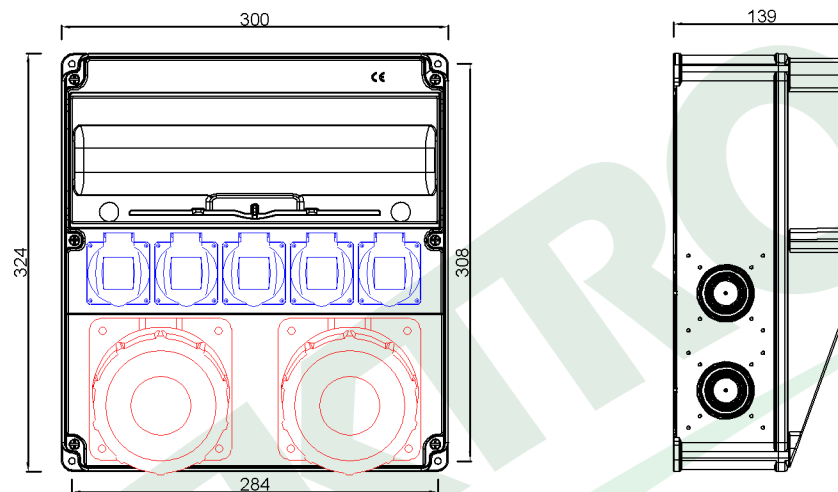


wymiary w [mm]
dimensions [mm]



**PARAMETRY
PARAMETERS**

| | |
|------------------------|--------|
| obudowa box | IP66 |
| gniazda sockets | IP44 |
| zaciski terminal | N & PE |
| dławica cable gland | PG21 |

**OKABLOWANIE GNIAZD
Sockets wiring**

| | |
|--------|--|
| 63A/5p | 10mm ² H07V-K /LgY/ 450/750V |
| 230V | 1.5mm ² H07V-K /LgY/ 450/750V |

F3.2885

Roz. CAJA 15M 2x63/5, 5x230V IP44
Distribution box CAJA 15M 2x63/5, 5x230V IP44

F-ELEKTRO

www.f-elektro.com,
e-mail: info@f-elektro.com