

Polyamide metric thread reducers


Reductores de poliamida rosca métrica

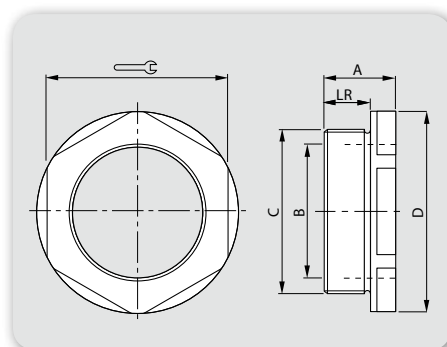
Polyamide reducers for changing a male thread into a bigger metric or Pg male thread

- Made of polyamide reinforced with fiberglass
- Metric (EN60423) or PG (DIN40430) threads
- Temperature range: -30°C to +100°C
- Colour: light grey

Reductores de poliamida para cambiar una rosca macho a una rosca macho métrica o PG más grande

- Fabricadas en poliamida reforzada con fibra de vidrio
- Rosca métrica (EN60423) o PG (DIN40430)
- Gama de temperaturas: de -30°C a +100°C
- Color: gris claro

Reference Referencia	C / B	A	D		LR	Packing u Embalaje u.
471612	M16 / M12	12	27	20	8	50
472012	M20 / M12	12	27	24	8	100
472016	M20 / M16	12	27	24	9	50
472516	M25 / M16	14	35	29	8	100
472520	M25 / M20	13	36	30	10	50
473220	M32 / M20	16	40	36	10	50
473225	M32 / M25	15	40	36	11	25
474025	M40 / M25	16	51	46	10	50
474032	M40 / M32	16	48	44	12	10
475020	M50 / M20	18	60	55	12	25
475032	M50 / M32	18	60	55	12	25
475040	M50 / M40	18	61	55	13	10
476340	M63 / M40	18	75	68	12	25
476350	M63 / M50	21	77	70	15	10



Dimensions in mm | Dimensiones en mm

