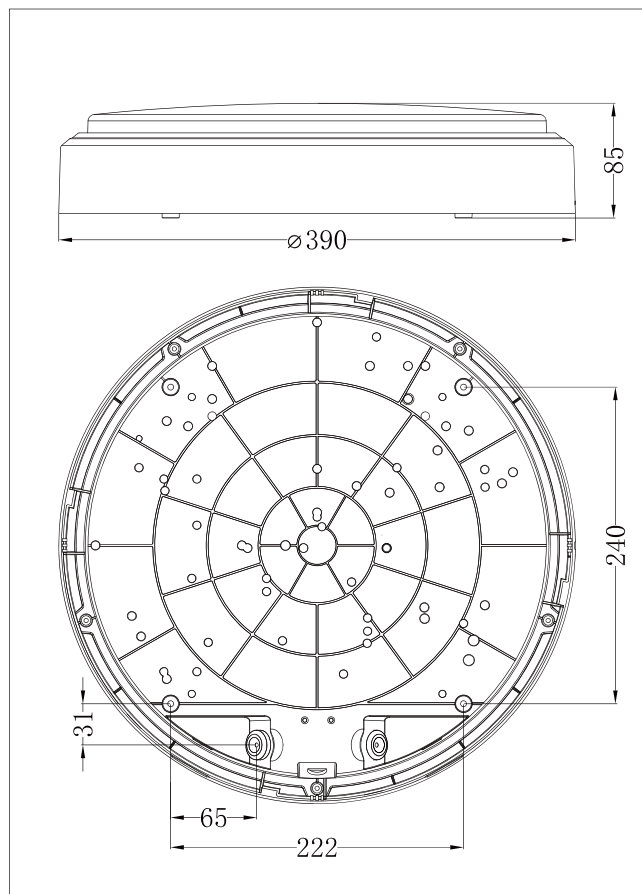
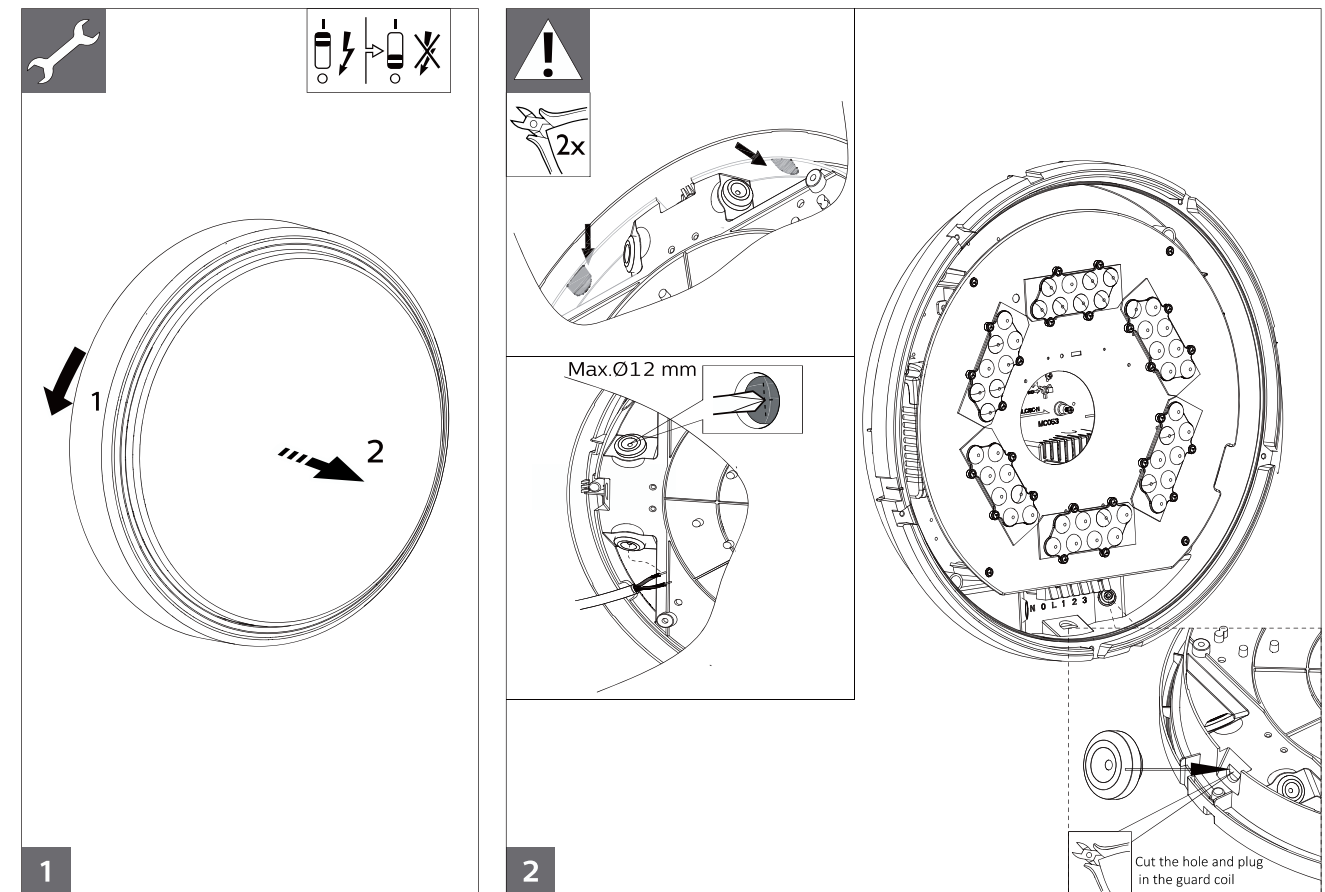
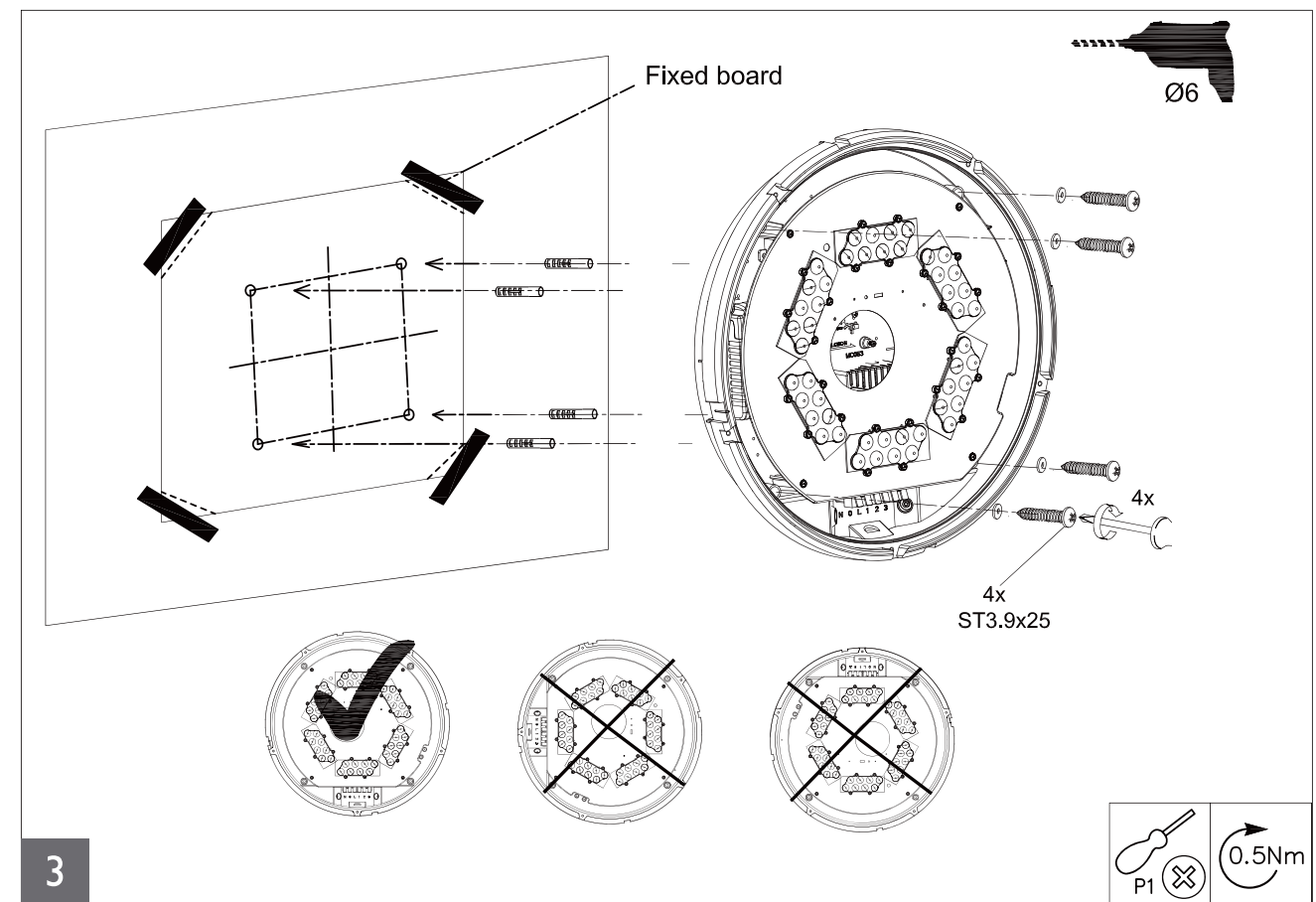
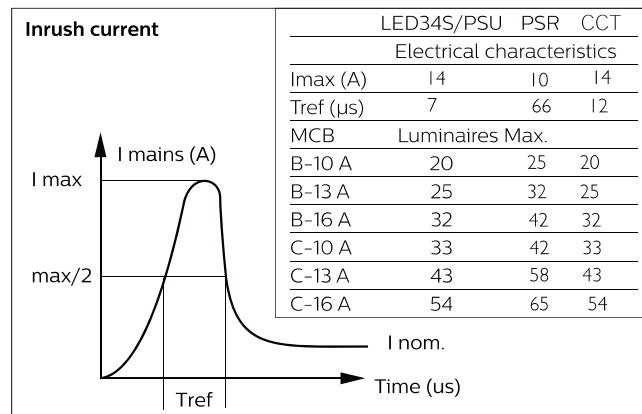


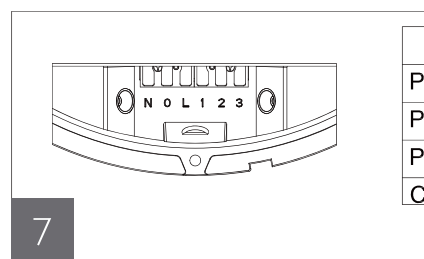
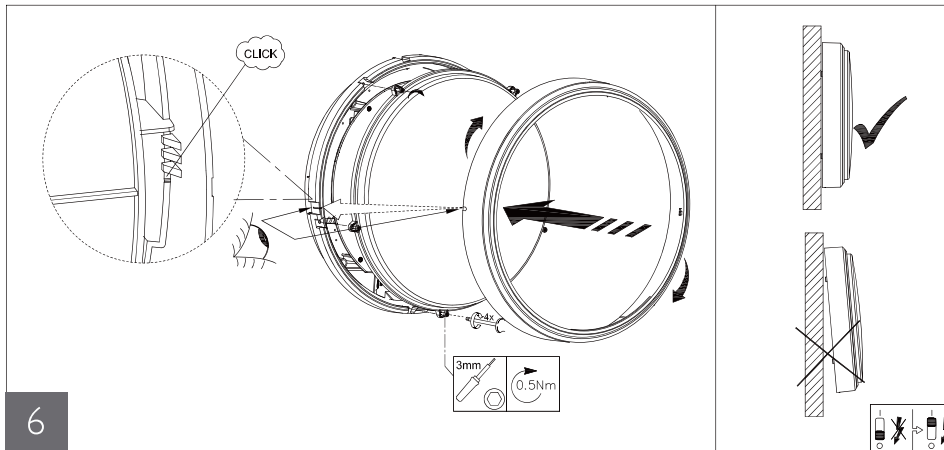
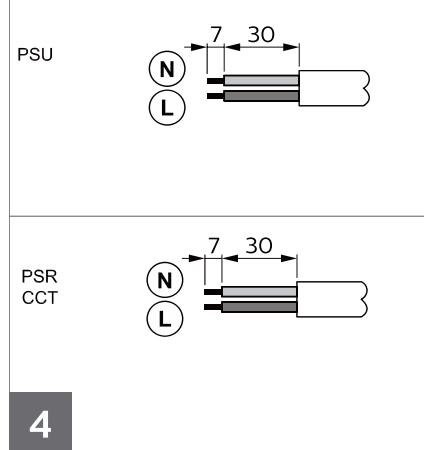
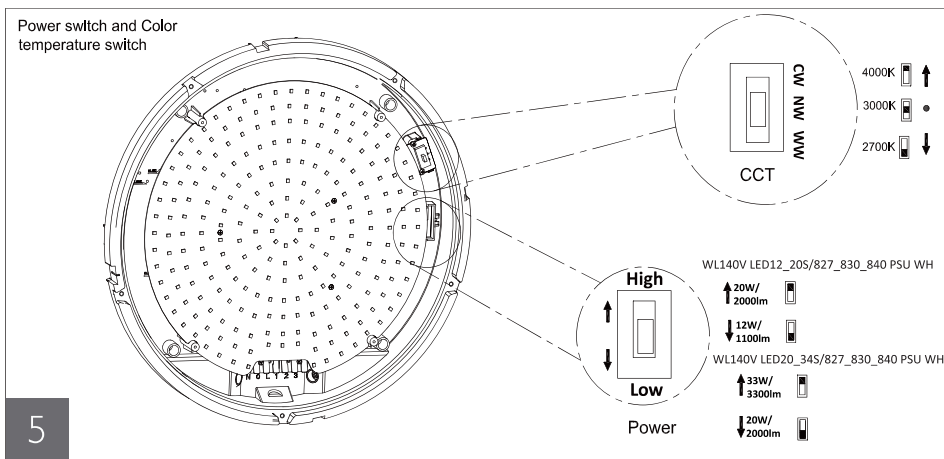
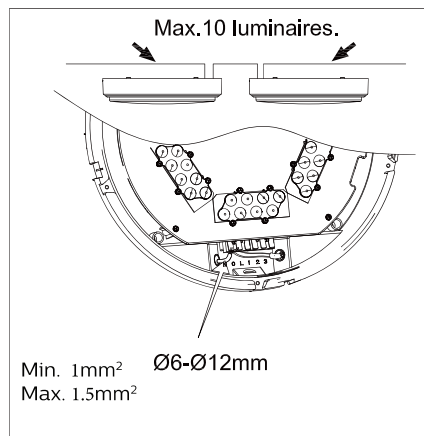
	CCT (K)	Lumen (lm)	light source of energy efficiency class	P (W)	Driver	Options	kg
WL140V LED12S		1275/1350	D/E	12	PSU	NA	1.9
		1200/1250	E	13	PSR	MDU	2.0
		2100/2200	E	20	PSU	NA	1.9
WL140V LED20S	3000/4000	1850/1950	E	19	PSU	MDU	2.0
		2100/2200	E	23	PSR	MDU	2.1
WL140V LED34S		3400/3350	D	32	PSU	NA	2.0
		2950/3100	D	30	PSR	MDU	2.1
WL140V LED12_20S /827_830_840 PSU WH	2700/3000/4000	1100-2000	E	12W/20W	PSU	NA	2.1
WL140V LED20_34S/827_830_840 PSU WH	3000/4000	2000-3300	E	20W/33W	PSU	NA	2.1



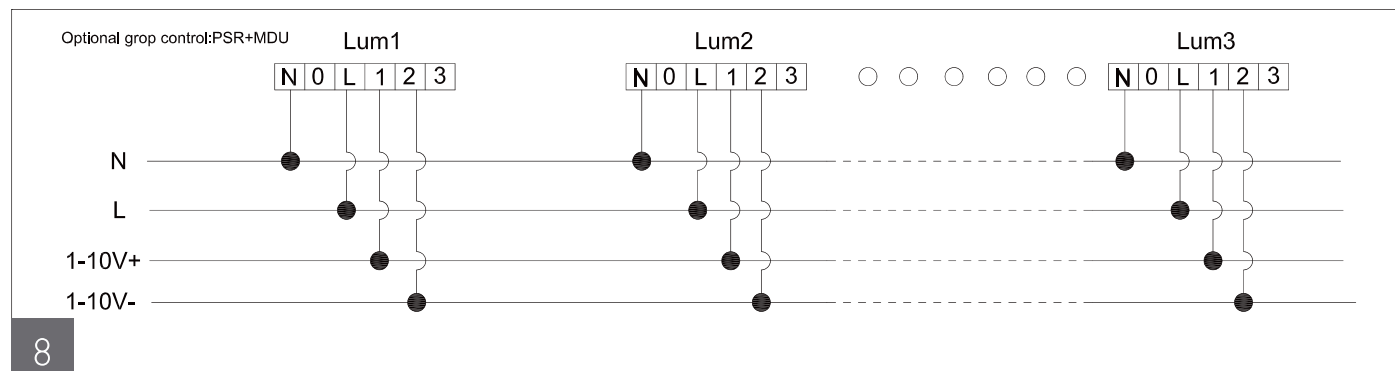
ATTENTION
OBSERVE PRECAUTIONS FOR HANDLING ELECTROSTATIC SENSITIVE DEVICES

- The luminaire shall be installed by a qualified electrician and wired in accordance with the latest IEE electrical regulations or the national requirements .
- This luminaire is not suitable for use as emergency lighting .
- The light source contained in this luminaire shall only be replaced by the manufacturer or his service agent or a similar qualified person .
- For use in environments where an accumulation of conductive dust on the luminaire may be expected .
- For outdoor operation at a building: only when all its cables run indoor with a maximum distance of 10 meter.*



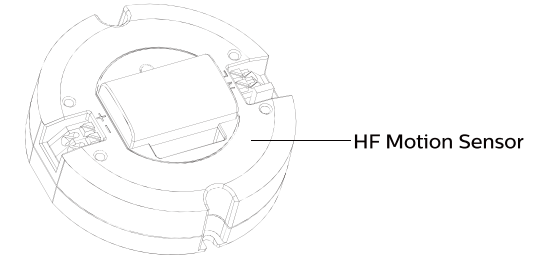


Type	N	0	L	1	2	3
PSU	N		L			
PSU+MDU	N		L			
PSR+MDU	N		L	1-10V+	1-10V-	
CCT	N		L			



Motion Detection Unit (MDU) for PSU HF (High Frequency) Motion Sensor

By selecting the combination on the DIP switch, sensor data can be precisely set for each specific application.



1	
I	ON 100%
II	- 50%

Detection area. (default 100%) show patterns.
Detection area can be reduced by selecting the combination on the DIP switches to fit precisely each application.

2		3	
I	ON	ON	5S
II	ON	-	1min
III	-	ON	5min
IV	-	-	10min

Hold time. (default 5 min.)
Refers to the time period the lamp remains at 100% illumination after no motion detected

4		5	
I	ON	ON	5Lux
II	ON	-	25Lux
III	-	ON	50Lux
IV	-	-	Disable*

Daylight sensor. (default 25 lux.)
The sensor can be set to only allow the lamp to illuminate below a defined ambient brightness threshold
When set to Disable mode, the daylight sensor will switch on the lamp when motion is detected regardless of ambient light level.
50 lux: twilight operation. 5 lux: darkness operation only.

8	
I	ON 10%
II	- 25%

Stand-by dimming level. (default 25%)
The low light level you would like to have after the hold time in the long absence of people.

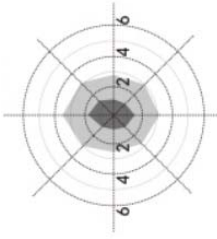
6		7	
I	ON	ON	0S
II	ON	-	1min
III	-	ON	10min
IV	-	-	+∞

Stand-by period. (default 10 min.)
Refers to the time period the lamp remains at a low light level before it completely switches off in the long absence of people.
When set to '∞' mode, the low light is maintained until motion is detected.

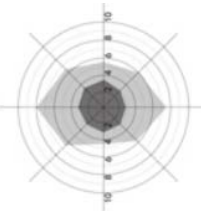
Detection area (Radiation Pattern)

Ceiling mounting:Below it is shown sensor sensitivity patterns with possible detection area options.
Light grey pattern shows 100% detection area selection and dark grey area shows 50% detection area selection.

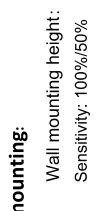
Ceiling mounted height: 3m
Sensitivity: 100%/50%



Normal moving (Speed:1m/s)

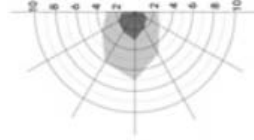


Slow moving (Speed 0.3m/s)



Wall mounting:

Wall mounting height: 2m
Sensitivity: 100%/50%

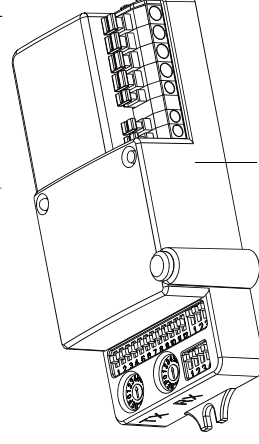


Normal moving (Speed: 1m/s)

Slow moving (Speed 0.3m/s)

Motion Detection Unit (MDU) for PSR HF (High Frequency) Motion Sensor

By selecting the combination on the DIP switch, sensor data can be precisely set for each specific application.



HF Motion Sensor

Function

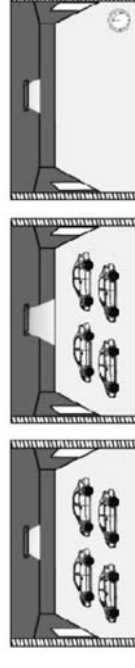
Singlesensor function

1. Switch on/off (Stand-by period at "0s")



1 With sufficient ambient light, the light will not be switched on even if with motion signal.

2. Step dimming (stand-by period at "+∞")

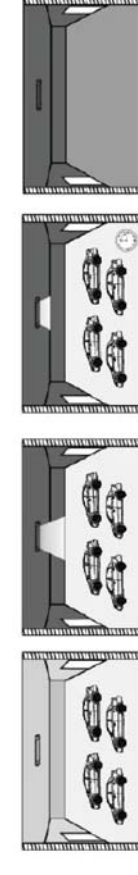


1 If there is no motion detected, the light will be remained at a low light level all the time.

2 When motion is detected, the sensor will switch on the light to 100% brightness.

3 After elapse of hold time, the sensor dims the light at the present low light level if no motion is detected.

3. Step dimming (stand-by period at "1min/3min/10min/30min")



1 With sufficient ambient light, the light will not be switched on even if with motion signal.

2 With insufficient ambient light, the sensor switches on the light when motion is detected.

3 After elapse of hold time, the sensor dims the light at a low light level if no new motion is detected.

4 After elapse of standby period, the sensor switches off the light if no motion is detected in the detection zone.

RF(Radio Frequency) wireless networking :

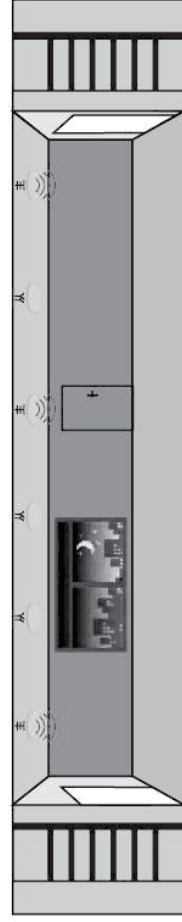
1. Broadcast:

All sensors set the same channel.

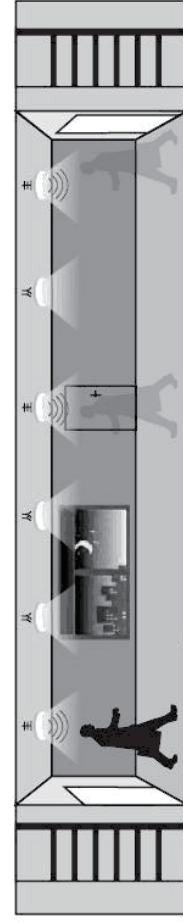
See below picture , There are several exits /entrances to the corridor , any master sensor is triggered , all lamps in the corridor will light up .

Settings :

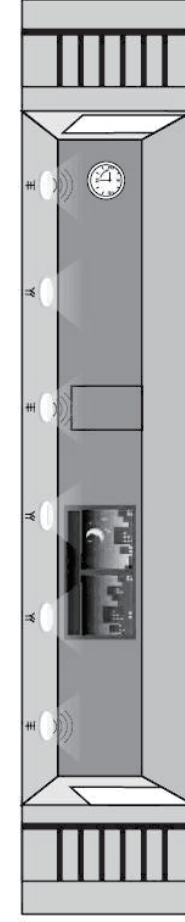
Master	TX	RX	Satellite	RX
1	A0	A0	1	A0
2	A0	A0	2	A0
...			...	
Any	A0	A0	Any	A0



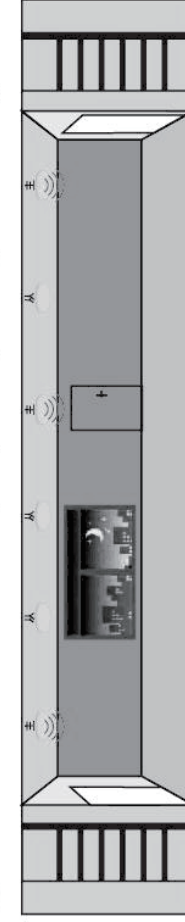
1 If no motion is detected, all lamps will be switched off.



2 If any movement is detected from any direction, all lamps will be synchronously switched on.



3 If no motion is detected in the detection zone, all lamps will be synchronously dimmed to a low light level after hold time.



4 After stand-by period, the lamps will be switched off if no movement is detected in the detection zone.

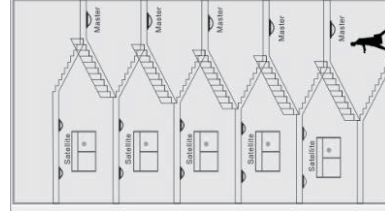
TX: Transmit channel , RX: Receive channel

2. Broadcast + Hopping:

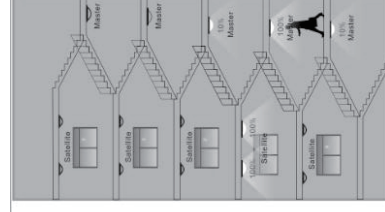
Once any master motion is detected , the motion signal will be transmitted to other grouped sensors through RF transceiver , see the pic below , when the person walks to one of the floors , the lamps in adjacent floors will switch on at a preset low light level synchronously .

Settings:

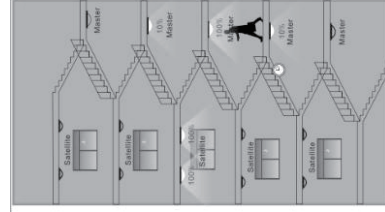
Master	TX	RX	Satellite	RX
1st floor	A0	A0	1st floor	A0
2nd floor	A1	A1	2nd floor	A1
...			...	
16th floor	AF	AF	16th floor	AF
17th floor	B0	B0	17th floor	B0
18th floor	B1	B1	18th floor	B1



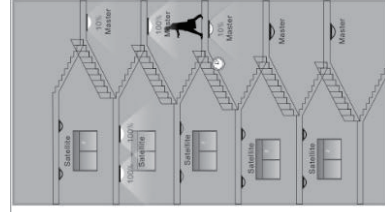
1 With sufficient ambient light, all lamps switch off even if there is motion.



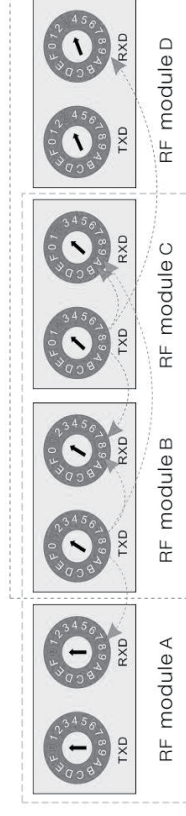
2 With insufficient ambient light and the person walks to the 2nd floor , all the 2nd lamp switch on at 100% , and the 1st and 3rd floor lamps switch on at a preset light.



3 The person walks to the 3rd floor , all the 3rd floor lamps light up to 100% , and the 5th floor lamp switch on at a low light level , the 3rd floor lamp dims to a low light level after hold time , the 2nd floor lamp switches off after a standby period .



4 The person walks to the 4th floor , all the 4th floor lamp light up to 100% , and the 5th floor lamp switch on at a low light level , the 3rd floor lamp dims to a low light level after hold time , the 2nd floor lamp switches off after a standby period .



Group 1

Group 2

Group 1: Module B Transmit Data , send signal to Module A Receive Data and Module C Receive Data and itself

Group 2: Module C Transmit Data , send signal to Module B Receive Data and Module D Receive Data and itself

AO - A1 - A2 - A3 - A4 - A5 - A6 - A7 - A8 - A9 - AA - AB - AC - AD - AE - AF I
 I BF - BE - BD - BC - BB - BA - B9 - B8 - B7 - B6 - B5 - B4 - B3 - B2 - B1 - B0

Dipswitch settings

ON	1	2	%
<input type="checkbox"/>	on	on	100
<input type="checkbox"/>	on	-	75
<input type="checkbox"/>	-	on	50
<input type="checkbox"/>	-	-	25

Detection area. (default 100%) show patterns.
 Detection area can be reduced by selecting the combination on the DIP switches to fit precisely each application.

ON	3	4	5	Time
<input type="checkbox"/>	on	on	on	5s
<input type="checkbox"/>	on	on	-	30s
<input type="checkbox"/>	on	-	on	90s
<input type="checkbox"/>	-	on	-	3 min
<input type="checkbox"/>	-	on	on	20 min
<input type="checkbox"/>	-	-	on	30 min
<input type="checkbox"/>	-	-	-	+∞

Hold time. (default 3 min.)
 Refers to the time period the lamp remains at 100% illumination after no motion detected.

ON	6	7	8	Time
<input type="checkbox"/>	on	on	on	0s
<input type="checkbox"/>	on	on	-	5s
<input type="checkbox"/>	on	-	on	5 min
<input type="checkbox"/>	on	-	on	30
<input type="checkbox"/>	-	on	on	50
<input type="checkbox"/>	-	on	-	100
<input type="checkbox"/>	-	-	on	150
<input type="checkbox"/>	-	-	-	Disable

Stand-by period. (default 10 min.)
 Refers to the time period the lamp remains at a low light level before it completely switches off in the long absence of people.
 When set to "∞" mode, the low light is maintained until motion is detected.

ON	9	10	11	12	Lux
<input type="checkbox"/>	on	on	on	on	5
<input type="checkbox"/>	on	on	on	-	15
<input type="checkbox"/>	on	-	on	on	30
<input type="checkbox"/>	on	-	on	-	50
<input type="checkbox"/>	-	on	on	on	100
<input type="checkbox"/>	-	on	on	-	150
<input type="checkbox"/>	-	-	on	-	Disable

Daylight sensor. (default 30 lux)
 The sensor can be set to only allow the lamp to illuminate below a defined ambient brightness threshold.
 When set to Disable mode, the daylight sensor will switch on the lamp when motion is detected regardless of ambient light level.
 150lux, 100lux, 50lux, twilight operation, 30lux, 15lux, 5lux, darkness operation only.

ON	1	2	%
<input type="checkbox"/>	on	on	10
<input type="checkbox"/>	on	-	20
<input type="checkbox"/>	-	on	30
<input type="checkbox"/>	-	-	50

Stand-by dimming level. (default 20%)
 The low light level you would like to have after the hold time in the long absence of people.

ON	3	%
<input type="checkbox"/>	on	100
<input type="checkbox"/>	-	10-50

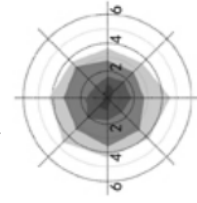
RF Brightness. (default 100%)
 The brightness of the light after receiving this RF signal from the machine is set to 100% by default.

ON	1	RF	2	Mode	3	TX(A/B)	4	RX(A/B)
<input type="checkbox"/>	on	Open	on	Broadcast	on	A	on	A
<input type="checkbox"/>	-	Close	-	Hopping	-	B	-	B

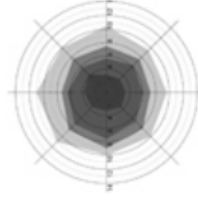
Mode:
 * Whenset RF to close , now the sensor only can receive signal ,cannot transmit signal ,but it still have sensor function.

Detection area (Radiation pattern)

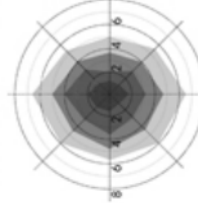
1. Ceiling mounting
 Ceiling mounted height: 3m
 Sensitivity: 100%/75%/50%/25%



Normal moving (Speed: 1m/s)



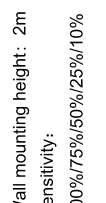
Normal moving (Speed: 1m/s)



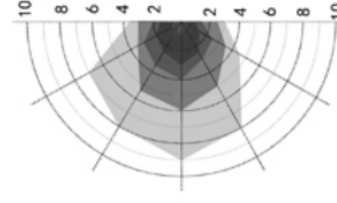
Slow moving (Speed 0.3m/s)



Slow moving (Speed 0.3m/s)



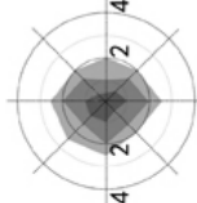
Wall mounting height: 2m
 Sensitivity: 100%/75%/50%/25%/10%



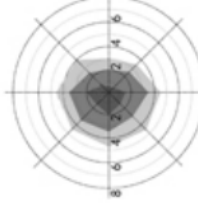
Normal moving (Speed: 1m/s)

Slow moving (Speed 0.3m/s)

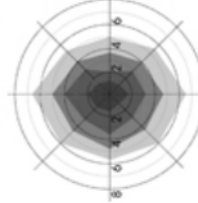
Ceiling mounted height: 8m
 Sensitivity: 100%/75%/50%



Normal moving (Speed: 1m/s)



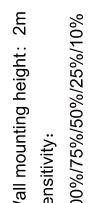
Normal moving (Speed: 1m/s)



Slow moving (Speed 0.3m/s)



Slow moving (Speed 0.3m/s)



Initialization

The light will turn on 100% brightness in the initial energizing sensor, and turn off after 10 seconds. During initialization, no external motion sensing signal will be detected.

Default settings

DetectionArea: 100%, HoldTime: 3S, Stand-by period: 10min, Daylight Sensor: default 30 lux, Stand-by DIM level: 20%, RF Brightness: 100%, RF: Close, Mode: Broadcast, TX:A, RX:A

Note:

- 1) MC053V RF with override function, Quick switch on/off 3 times within 2s can cancel sensor function.
- 2) Work mode: Broadcast & Hopping.
- 3) TX: is for signal Transmitting, with 0-F 16 different channels. 1 DIP to set Group A or group B. Group A with 16 channels, Group B also with 16 groups, total can set 32 groups.
- 4) RX: is for signal Receiving, with 0-F 16 different channels. 1 DIP to set Group A or group B. Group A with 16 channels, Group B also with 16 groups, total can set 32 groups.
- 5) When master sensor and master sensor set under broadcast work mode, that means, all sensors set the same channel. Any master sensor is triggered, it will transmit the RF signal to all the lamps in the group.
- 6) When master sensor and master sensor set under hopping work mode, that means, when any master sensor is triggered, it will send RF signal to 3 channels (the adjacent channel before and after the TX channel and the channel set by master itself. For example, when the sensor set the TX channel for "1", it will launch "0" "1" "2" three different channel signal. If other different RX channel set with "0" "1" "2", at this time will receive the corresponding channel signals, this kind of work mode is mainly applied to corridor application.
- 7) Note: TX"F" to launch the channel group A and B group "0" RX receives channels can connect network.
- 8) Master sensor to Satellite only work as broadcast mode, that means the satellite only receive the signal from master, not affect by the master work mode.

Note:

1. The CoreLine wall-mounted needs to be installed side-by-side in the same direction. The distance between each of the luminaires should be kept at least 3m to avoid mutual interference.
2. Please pay attention to the installation environment:
 - 2.1. Avoid high-density objects such as: metal, glass, concrete walls, etc, with in the sensor detection area.
 - 2.2. Avoid moving signals within the sensor detection area such as: fan, DC motor, sewer pipe, air outlet, heavy rainfall, motion behind a thin wall etc. This is to avoid false triggers of the sensor.
3. In order to reach the common sensor distance, the object move speed should be less than 1m/s. If an object moves with speed higher than 1m/s, the detection distance will decrease.
4. It is advised not to install a luminaire on a wooden surface. In case it must be installed on a wooden surface, and the wood thickness must be more than 15cm.
5. To avoid smaller detection range or abnormal operation, the CoreLine wall-mounted should not be installed in close distance to large areas of metal and glass (separation distance at least 1 m). Please reduce detection area setting or contact Signify to confirm the situation once the CoreLine wall-mounted works fails.

© 2021 Signify Holding.
 All rights reserved. This document contains information relating to the product portfolio of Signify which information may be subject to change. No representation or warranty as to the accuracy or completeness of the information included herein is given and any liability for any action in reliance hereon is disclaimed. The information presented in this document is not intended as any commercial offer and does not form part of any quotation or contract. Philips and the Philips Shield Emblem are registered trademarks of Koninklijke Philips N.V. All other trademarks are owned by Signify Holding or their respective owners.



Signify Holding
 The Netherlands