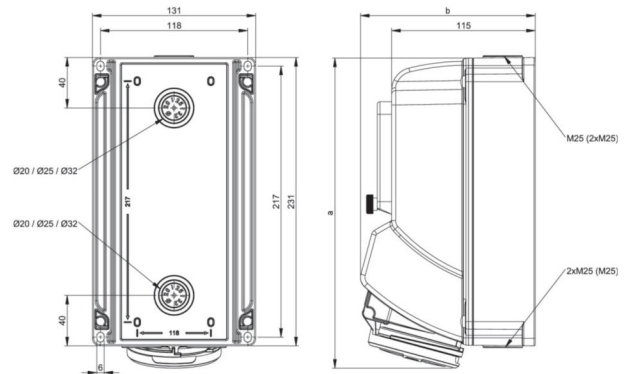


article#	75243-6
article description	CEE-wall mounted socket mit Fenster 32A 4p 6h IP44
description long	CEE-wall mounted socket with window 32A4p 6h IP44 housing material: PC/ABS rated current: 32A number of poles: 4 (3P+PE) clock-position: 6h rated voltage/frequency: 380-415V~ / 50+60Hz contacts: brass nickel plated connection technology: screw terminals cable entry: top, bottom, rear inc. threaded blind cap with hinged window (5 modules) and DIN rail IP protection class: IP44
GTIN (EAN)	9003399982835
country of origin	AT
customs number	85366990
net weight	0.985 kg
packaging quantity	1
minimum order quantity	1

ETIM 9.0	EC000379
CEE socket outlet 32 A	1x32A xp xxxV
Other fixtures and/or empty locations	5
Material housing	Plastic
Contact material	CuZn
Surface treatment contacts	Nickel-plated
Handling	Wall mounting
Degree of protection (IP)	IP54
Colour	Grey

a	259 mm
b	142 mm
wire flexible	2,5-6 mm ²
wire solid	2,5-10 mm ²
contact screws	110 Ncm
housing screws	110 Ncm
dismantling length	50 mm
stripping length	12-14 mm
ambient temperature	-25 – 40 °C
temperature resistance	-25 – 80 °C



<https://www.pcelectric.at/shop/en/?func=detail&artnr=75243-6>