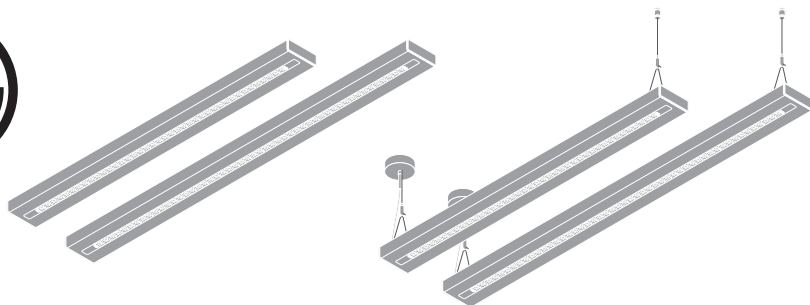


LINEAR INDIVILED® DIRECT
LINEAR INDIVILED® DIRECT ASYMMETRIC
LINEAR INDIVILED® DIRECT /INDIRECT

LEDVANCE



	EAN	l x w x h [mm]	K	IP	IK	°(°C)
LN INV D 1200 P 40W 930 PS WT	4099854135316	1210x125x43	3000	20	06	-20...+50
LN INV D 1200 P 40W 930 PS BK	4099854296703	1210x125x43	3000	20	06	-20...+50
LN INV D 1200 P 40W 940 PS WT	4099854135330	1210x125x43	4000	20	06	-20...+50
LN INV D 1200 P 40W 940 PS BK	4099854296741	1210x125x43	4000	20	06	-20...+50
LN INV D 1200 P 40W 930 PS ASY WT	4099854135392	1210x125x43	3000	20	06	-20...+50
LN INV D 1200 P 40W 930 PS ASY BK	4099854591693	1210x125x43	3000	20	06	-20...+50
LN INV D 1200 P 40W 940 PS ASY WT	4099854135415	1210x125x43	4000	20	06	-20...+50
LN INV D 1200 P 40W 940 PS ASY BK	4099854591716	1210x125x43	4000	20	06	-20...+50
LN INV DI 1200 P 55W 930 PS WT	4099854135156	1210x125x43	3000	20	06	-20...+50
LN INV DI 1200 P 55W 930 PS BK	4099854296888	1210x125x43	3000	20	06	-20...+50
LN INV DI 1200 P 52W 930 PS WT	4099854135170	1210x125x43	4000	20	06	-20...+50
LN INV DI 1200 P 55W 940 PS BK	4099854296901	1210x125x43	4000	20	06	-20...+50
LN INV D 1500 P 52W 930 PS WT	4099854135477	1475x125x43	3000	20	06	-20...+50
LN INV D 1500 P 52W 930 PS BK	4099854296789	1475x125x43	3000	20	06	-20...+50
LN INV D 1500 P 52W 940 PS WT	4099854135491	1475x125x43	4000	20	06	-20...+50
LN INV D 1500 P 52W 940 PS BK	4099854296826	1475x125x43	4000	20	06	-20...+50
LN INV DI 1500 P 69W 930 PS WT	4099854135231	1475x125x43	3000	20	06	-20...+50
LN INV DI 1500 P 69W 930 PS BK	4099854296949	1475x125x43	3000	20	06	-20...+50
LN INV DI 1500 P 69W 940 PS WT	4099854135255	1475x125x43	4000	20	06	-20...+50
LN INV DI 1500 P 69W 940 PS BK	4099854296987	1475x125x43	4000	20	06	-20...+50

	EAN	V _{AC}	Hz	∇	PF	R _a	⚖
LN INV D 1200 P 40W 930 PS WT	4099854135316	220-240V	50/60	90°	> 0.9	≥90	3.2kg
LN INV D 1200 P 40W 930 PS BK	4099854296703	220-240V	50/60	90°	> 0.9	≥90	3.2kg
LN INV D 1200 P 40W 940 PS WT	4099854135330	220-240V	50/60	90°	> 0.9	≥90	3.2kg
LN INV D 1200 P 40W 940 PS BK	4099854296741	220-240V	50/60	90°	> 0.9	≥90	3.2kg
LN INV D 1200 P 40W 930 PS ASY WT	4099854135392	220-240V	50/60	55°x55°	> 0.9	≥90	3.2kg
LN INV D 1200 P 40W 930 PS ASY BK	4099854591693	220-240V	50/60	55°x55°	> 0.9	≥90	3.2kg
LN INV D 1200 P 40W 940 PS ASY WT	4099854135415	220-240V	50/60	55°x55°	> 0.9	≥90	3.2kg
LN INV D 1200 P 40W 940 PS ASY BK	4099854591716	220-240V	50/60	55°x55°	> 0.9	≥90	3.2kg
LN INV DI 1200 P 55W 930 PS WT	4099854135156	220-240V	50/60	90°+130°	> 0.9	≥90	3.7kg
LN INV DI 1200 P 55W 930 PS BK	4099854296888	220-240V	50/60	90°+130°	> 0.9	≥90	3.7kg
LN INV DI 1200 P 55W 940 PS WT	4099854135170	220-240V	50/60	90°+130°	> 0.9	≥90	3.7kg
LN INV DI 1200 P 55W 940 PS BK	4099854296901	220-240V	50/60	90°+130°	> 0.9	≥90	3.7kg
LN INV D 1500 P 52W 930 PS WT	4099854135477	220-240V	50/60	90°	> 0.9	≥90	3.9kg
LN INV D 1500 P 52W 930 PS BK	4099854296789	220-240V	50/60	90°	> 0.9	≥90	3.9kg
LN INV D 1500 P 52W 940 PS WT	4099854135491	220-240V	50/60	90°	> 0.9	≥90	3.9kg
LN INV D 1500 P 52W 940 PS BK	4099854296826	220-240V	50/60	90°	> 0.9	≥90	3.9kg
LN INV DI 1500 P 69W 930 PS WT	4099854135231	220-240V	50/60	90°+130°	> 0.9	≥90	4.3kg
LN INV DI 1500 P 69W 930 PS BK	4099854296949	220-240V	50/60	90°+130°	> 0.9	≥90	4.3kg
LN INV DI 1500 P 69W 940 PS WT	4099854135255	220-240V	50/60	90°+130°	> 0.9	≥90	4.3kg
LN INV DI 1500 P 69W 940 PS BK	4099854296987	220-240V	50/60	90°+130°	> 0.9	≥90	4.3kg

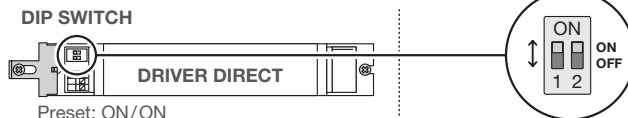
LINEAR INDIVILED® DIRECT

LINEAR INDIVILED® DIRECT ASYMMETRIC

LINEAR INDIVILED® DIRECT /INDIRECT



Drivers ¹⁾ - Linear IndiviLED Direct

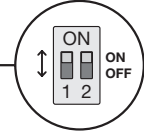
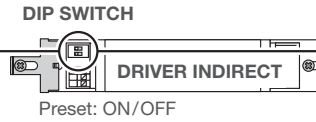
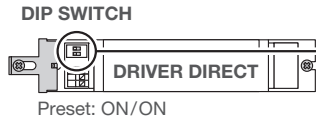


LINEAR IndiviLED® Direct	Driver Direct	Dip Switch			mA	W	Im	Im/W
		Pin 1	Pin 2	Preset				
LN INV D 1200 P 40W 930 PS WT	OSRAM IT FIT 40/ 220...240/800 CS L	OFF	OFF	-	500	25	3150	126
		OFF	ON	-	600	30	3700	123
		ON	OFF	-	700	36	4400	122
		ON	ON	Preset	800	40	4800	120
LN INV D 1200 P 40W 930 PS BK	OSRAM IT FIT 40/ 220...240/800 CS L	OFF	OFF	-	500	25	3050	122
		OFF	ON	-	600	30	3600	120
		ON	OFF	-	700	36	4250	118
		ON	ON	Preset	800	40	4650	116
LN INV D 1200 P 40W 940 PS WT	OSRAM IT FIT 40/ 220...240/800 CS L	OFF	OFF	-	500	25	3250	130
		OFF	ON	-	600	30	3900	130
		ON	OFF	-	700	36	4600	128
		ON	ON	Preset	800	40	5050	126
LN INV D 1200 P 40W 940 PS BK	OSRAM IT FIT 40/ 220...240/800 CS L	OFF	OFF	-	500	25	3150	126
		OFF	ON	-	600	30	3800	127
		ON	OFF	-	700	36	4450	124
		ON	ON	Preset	800	40	4900	123
LN INV D 1200 P 40W 930 PS ASY WT	OSRAM IT FIT 40/ 220...240/800 CS L	OFF	OFF	-	500	25	2850	114
		OFF	ON	-	600	30	3400	113
		ON	OFF	-	700	35	3900	111
		ON	ON	Preset	800	40	4350	109
LN INV D 1200 P 40W 930 PS ASY BK	OSRAM IT FIT 40/ 220...240/800 CS L	OFF	OFF	-	500	25	2600	104
		OFF	ON	-	600	30	3050	102
		ON	OFF	-	700	35	3350	96
		ON	ON	Preset	800	40	3950	99
LN INV D 1200 P 40W 940 PS ASY WT	OSRAM IT FIT 40/ 220...240/800 CS L	OFF	OFF	-	500	25	2900	116
		OFF	ON	-	600	30	3500	117
		ON	OFF	-	700	35	4000	114
		ON	ON	Preset	800	40	4400	110
LN INV D 1200 P 40W 940 PS ASY BK	OSRAM IT FIT 40/ 220...240/800 CS L	OFF	OFF	-	500	25	2650	106
		OFF	ON	-	600	30	3100	103
		ON	OFF	-	700	35	3600	103
		ON	ON	Preset	800	40	4000	100
LN INV D 1500 P 52W 930 PS WT	OSRAM OT FIT 55W CS L AP V3.2	OFF	OFF	-	800	40	4850	121
		OFF	ON	-	900	46	5450	118
		ON	OFF	-	975	48	5650	118
		ON	ON	Preset	1050	52	6050	116
LN INV D 1500 P 52W 930 PS BK	OSRAM OT FIT 55W CS L AP V3.2	OFF	OFF	-	800	40	4700	118
		OFF	ON	-	900	46	5300	115
		ON	OFF	-	975	48	5500	115
		ON	ON	Preset	1050	52	5900	113
LN INV D 1500 P 52W 940 PS WT	OSRAM OT FIT 55W CS L AP V3.2	OFF	OFF	-	800	40	5200	130
		OFF	ON	-	900	46	5900	128
		ON	OFF	-	975	48	6100	127
		ON	ON	Preset	1050	52	6550	126
LN INV D 1500 P 52W 940 PS BK	OSRAM OT FIT 55W CS L AP V3.2	OFF	OFF	-	800	40	5050	126
		OFF	ON	-	900	46	5700	124
		ON	OFF	-	975	48	5900	123
		ON	ON	Preset	1050	52	6350	122

LINEAR INDIVILED® DIRECT
LINEAR INDIVILED® DIRECT ASYMMETRIC
LINEAR INDIVILED® DIRECT/INDIRECT



Drivers 1) - Linear IndiviLED Direct / Indirect



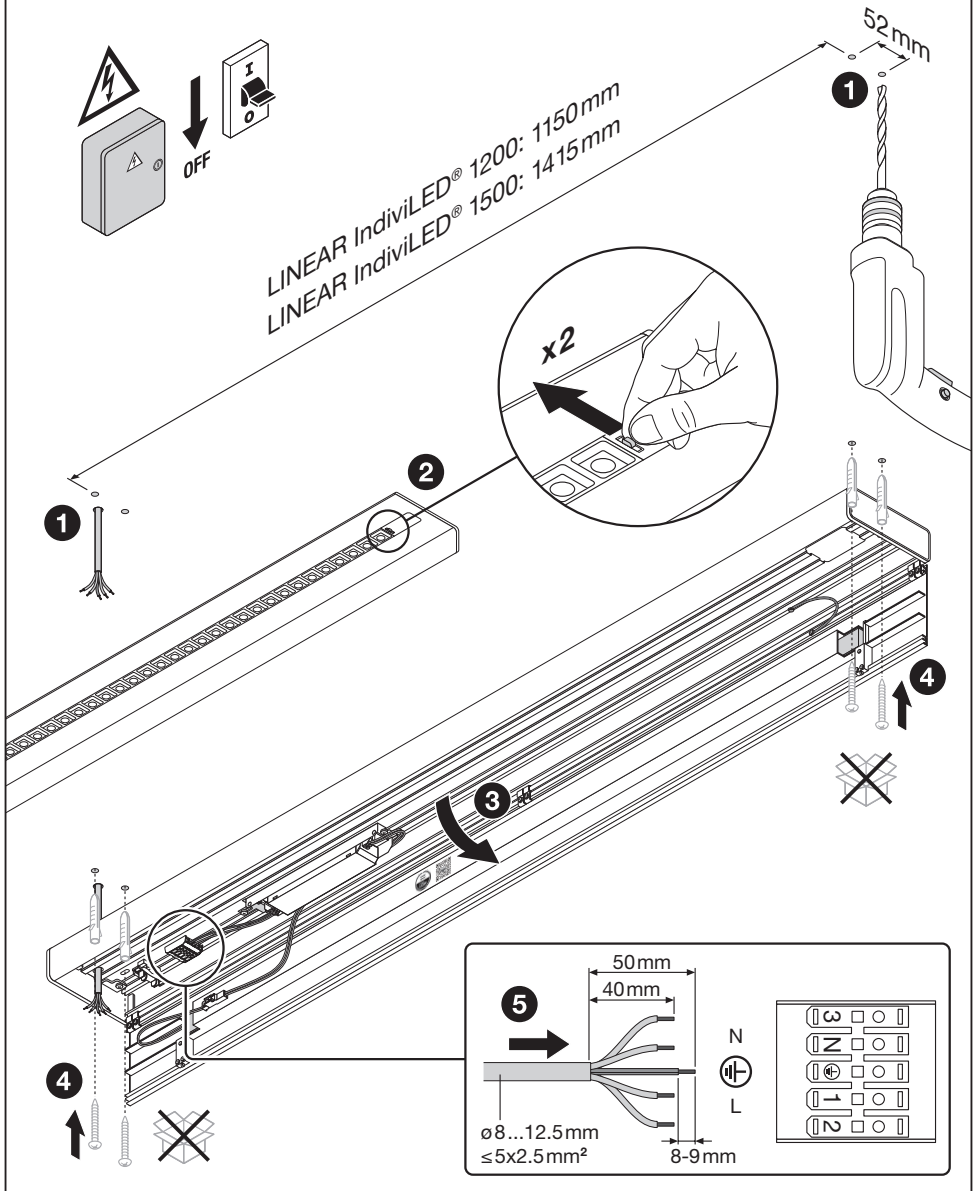
LINEAR IndiviLED® Direct/ Indirect	Driver Direct	Dip Switch			mA	W	lm	Driver Indirect	Dip Switch			mA	W	lm
		Pin 1	Pin 2	Preset					Pin 1	Pin 2	Preset			
LN INV DI 1200 P 55W 930 PS WT	OSRAM IT FIT 40/ 220...240/ 800 CS L	OFF	OFF	-	500	25	3150	OSRAM IT FIT 18/ 220...240/ 350 CS L	OFF	OFF	-	200	10	1300
		OFF	ON	-	600	30	3700		OFF	ON	-	250	13	1650
		ON	OFF	-	700	36	4400		OFF	ON	-	250	13	1650
		ON	ON	Preset	800	40	4800		ON	OFF	Preset	300	15	2000
LN INV DI 1200 P 55W 930 PS BK	OSRAM IT FIT 40/ 220...240/ 800 CS L	OFF	OFF	-	500	25	3050	OSRAM IT FIT 18/ 220...240/ 350 CS L	OFF	OFF	-	200	10	1300
		OFF	ON	-	600	30	3600		OFF	ON	-	250	13	1650
		ON	OFF	-	700	36	4250		OFF	ON	-	250	13	1650
		ON	ON	Preset	800	40	4650		ON	OFF	Preset	300	15	2000
LN INV DI 1200 P 55W 940 PS WT	OSRAM IT FIT 40/ 220...240/ 800 CS L	OFF	OFF	-	500	25	3250	OSRAM IT FIT 18/ 220...240/ 350 CS L	OFF	OFF	-	200	10	1350
		OFF	ON	-	600	30	3900		OFF	ON	-	250	13	1800
		ON	OFF	-	700	36	4600		OFF	ON	-	250	13	1800
		ON	ON	Preset	800	40	5050		ON	OFF	Preset	300	15	2150
LN INV DI 1200 P 55W 940 PS BK	OSRAM IT FIT 40/ 220...240/ 800 CS L	OFF	OFF	-	500	25	3150	OSRAM IT FIT 18/ 220...240/ 350 CS L	OFF	OFF	-	200	10	1350
		OFF	ON	-	600	30	3800		OFF	ON	-	250	13	1800
		ON	OFF	-	700	36	4450		OFF	ON	-	250	13	1800
		ON	ON	Preset	800	40	4900		ON	OFF	Preset	300	15	2150
LN INV DI 1500 P 69W 930 PS WT	OSRAM OT FIT 55/ 220...240/ 1A0CS LAP	OFF	OFF	-	800	40	4850	OSRAM IT FIT 18/ 220...240/ 350 CS L	OFF	ON	-	250	13	1800
		OFF	ON	-	900	46	5450		ON	OFF	-	300	15	2150
		ON	OFF	-	975	48	5650		ON	OFF	-	300	15	2150
		ON	ON	Preset	1050	52	6050		ON	ON	Preset	350	17	2300
LN INV DI 1500 P 69W 930 PS BK	OSRAM OT FIT 55/ 220...240/ 1A0CS LAP	OFF	OFF	-	800	40	4700	OSRAM IT FIT 18/ 220...240/ 350 CS L	OFF	ON	-	250	13	1800
		OFF	ON	-	900	46	5300		ON	OFF	-	300	15	2150
		ON	OFF	-	975	48	5500		ON	OFF	-	300	15	2150
		ON	ON	Preset	1050	52	5900		ON	ON	Preset	350	17	2300
LN INV DI 1500 P 69W 940 PS WT	OSRAM IT FIT 18/ 220...240/ 350 CS L	OFF	OFF	-	800	40	5200	OSRAM IT FIT 18/ 220...240/ 350 CS L	OFF	ON	-	250	13	1900
		OFF	ON	-	900	46	5900		ON	OFF	-	300	15	2300
		ON	OFF	-	975	48	6100		ON	OFF	-	300	15	2300
		ON	ON	Preset	1050	52	6550		ON	ON	Preset	350	17	2500
LN INV DI 1500 P 69W 940 PS BK	OSRAM IT FIT 18/ 220...240/ 350 CS L	OFF	OFF	-	800	40	5050	OSRAM IT FIT 18/ 220...240/ 350 CS L	OFF	ON	-	250	13	1900
		OFF	ON	-	900	46	5700		ON	OFF	-	300	15	2300
		ON	OFF	-	975	48	5900		ON	OFF	-	300	15	2300
		ON	ON	Preset	1050	52	6350		ON	ON	Preset	350	17	2500

Direct + Indirect			
mA	W	lm	lm/W
700	35	4450	127
850	43	5350	124
950	49	6050	123
1100	55	6800	124
700	35	4350	124
850	43	5250	122
950	49	5900	120
1100	55	6650	121
700	35	4600	131
850	43	5700	133
950	49	6400	131
1100	55	7200	131
700	35	4500	129
850	43	5600	130
950	49	6250	128
1100	55	7050	128
1050	53	6650	125
1200	61	7600	125
1275	63	7800	124
1400	69	8350	121
1050	53	6500	123
1200	61	7450	122
1275	63	7650	121
1400	69	8200	119
1050	53	7100	134
1200	61	8200	134
1275	63	8400	133
1400	69	9050	131
1050	53	6950	131
1200	61	8000	131
1275	63	8200	130
1400	69	8850	128

LINEAR INDIVILED® DIRECT
LINEAR INDIVILED® DIRECT ASYMMETRIC
LINEAR INDIVILED® DIRECT/INDIRECT



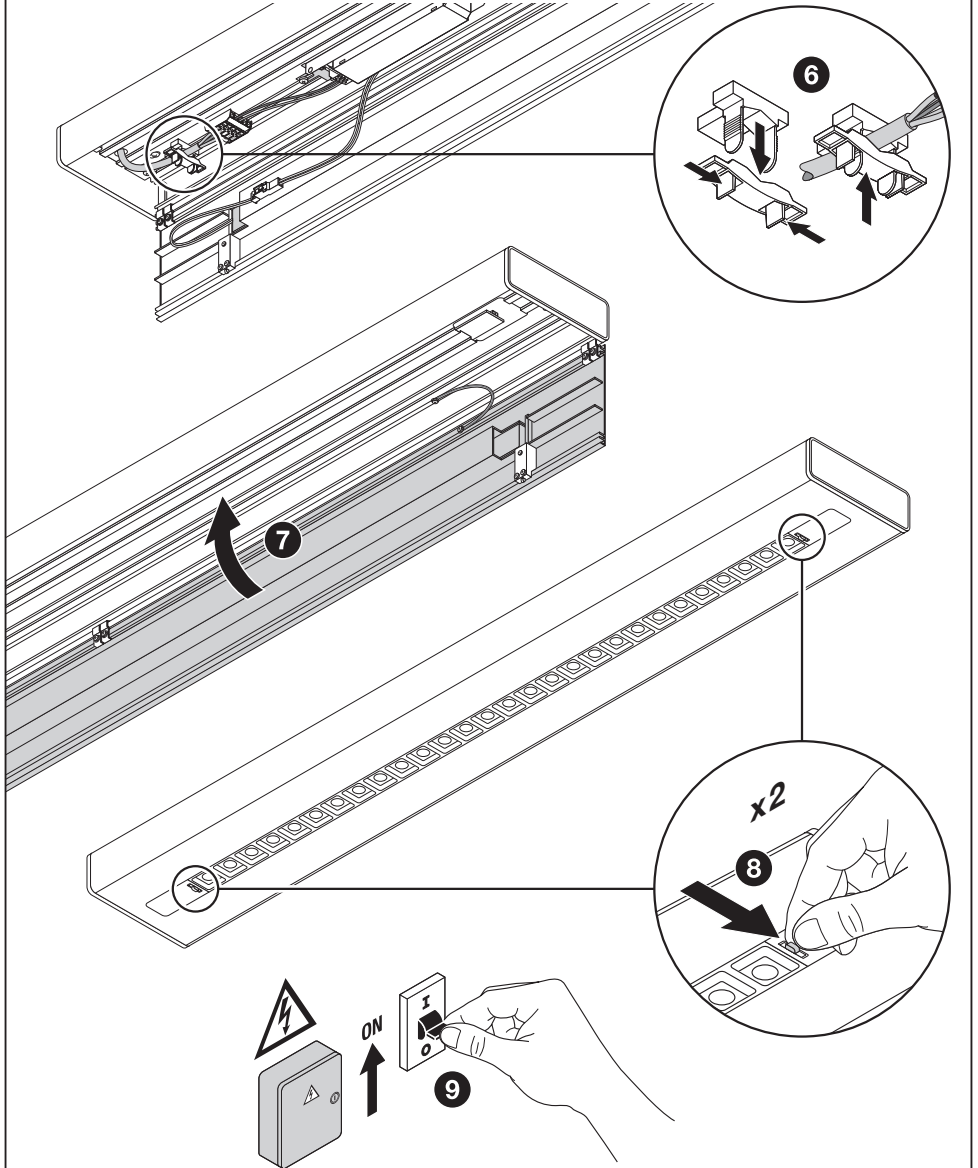
Linear IndiviLED Direct



LINEAR INDIVILED® DIRECT
LINEAR INDIVILED® DIRECT ASYMMETRIC
LINEAR INDIVILED® DIRECT/INDIRECT



Linear IndiviLED Direct



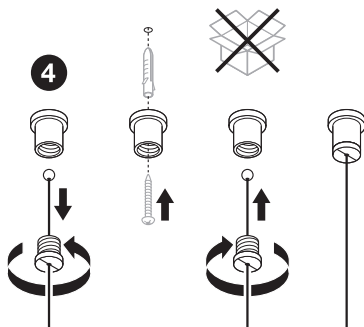
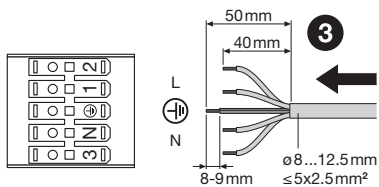
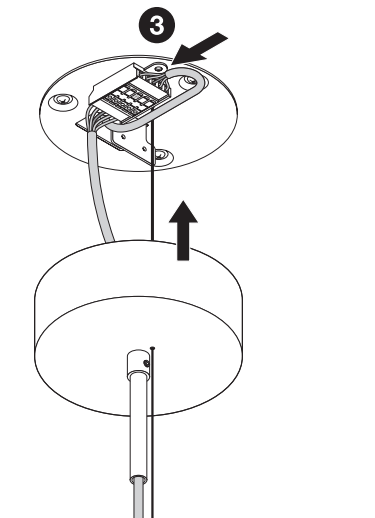
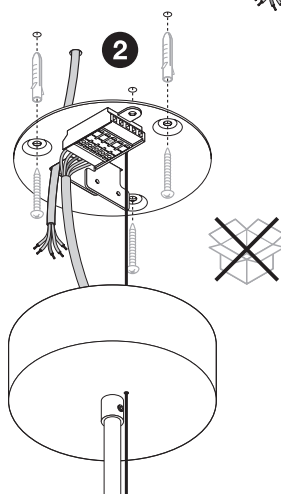
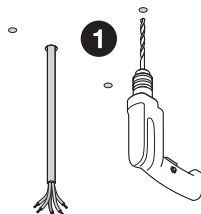
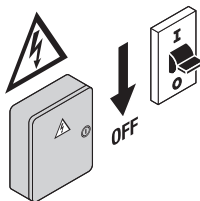
LINEAR INDIVILED® DIRECT
LINEAR INDIVILED® DIRECT ASYMMETRIC
LINEAR INDIVILED® DIRECT/INDIRECT



Linear IndiviLED Direct / Indirect

EAN	
LINEAR IndiviLED® SUSPENSION KIT WT	4099854215537
LINEAR IndiviLED® SUSPENSION KIT BK	4099854297069

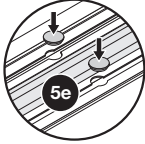
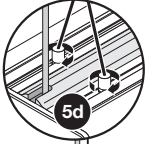
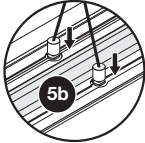
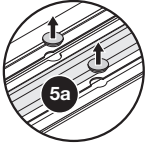
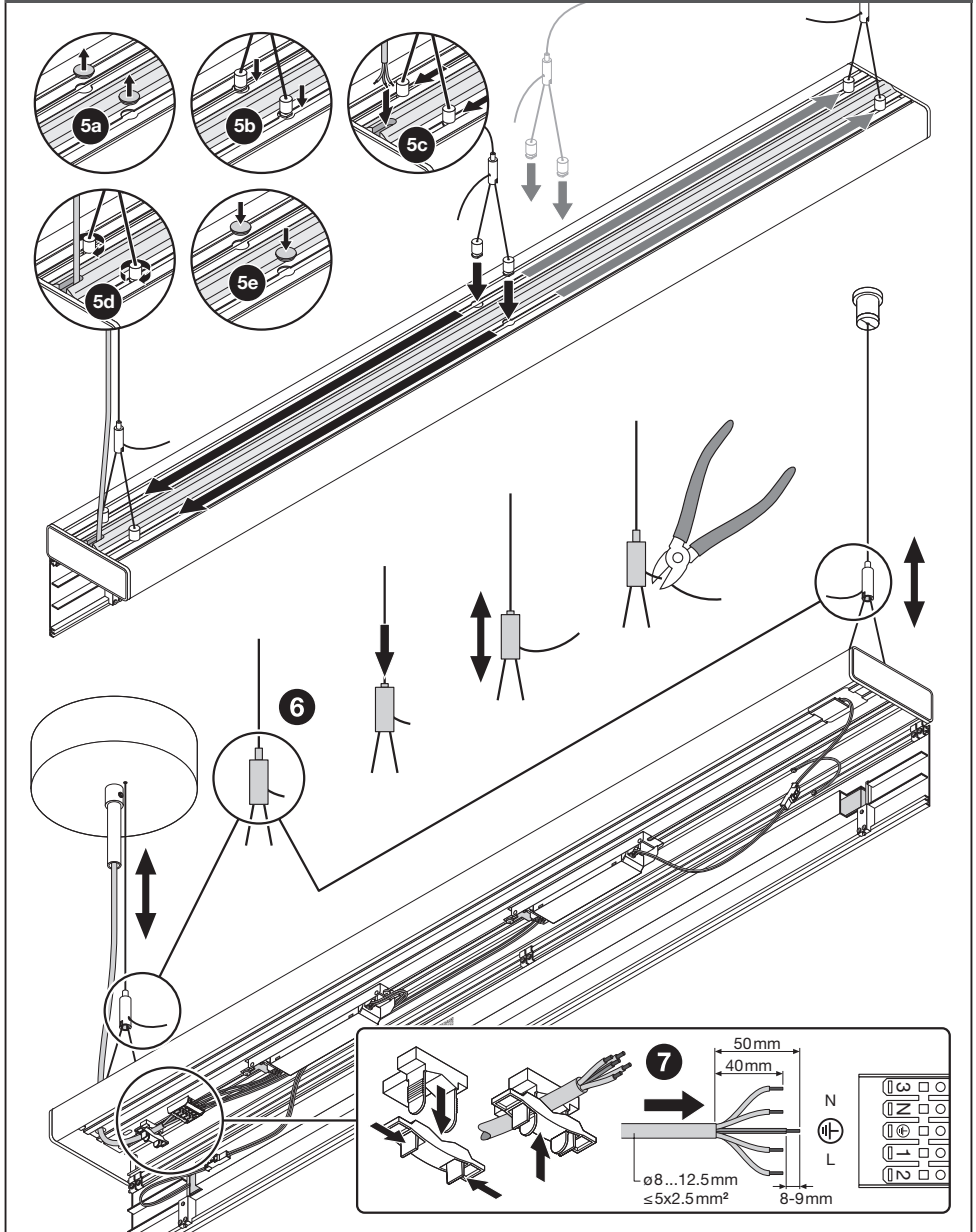
EAN	
LINEAR IndiviLED® SUSPENSION Wire	4099854323980



LINEAR INDIVILED® DIRECT
LINEAR INDIVILED® DIRECT ASYMMETRIC
LINEAR INDIVILED® DIRECT/INDIRECT

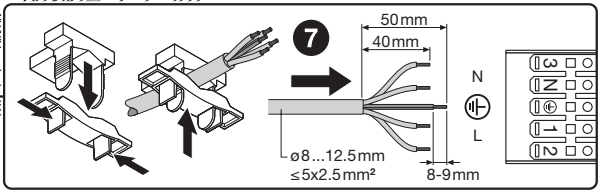


Linear IndiviLED Direct / Indirect

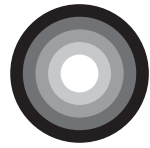


6

7



LINEAR INDIVILED® DIRECT
LINEAR INDIVILED® DIRECT ASYMMETRIC
LINEAR INDIVILED® DIRECT/INDIRECT



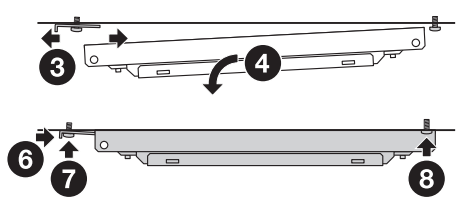
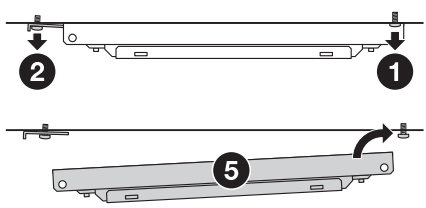
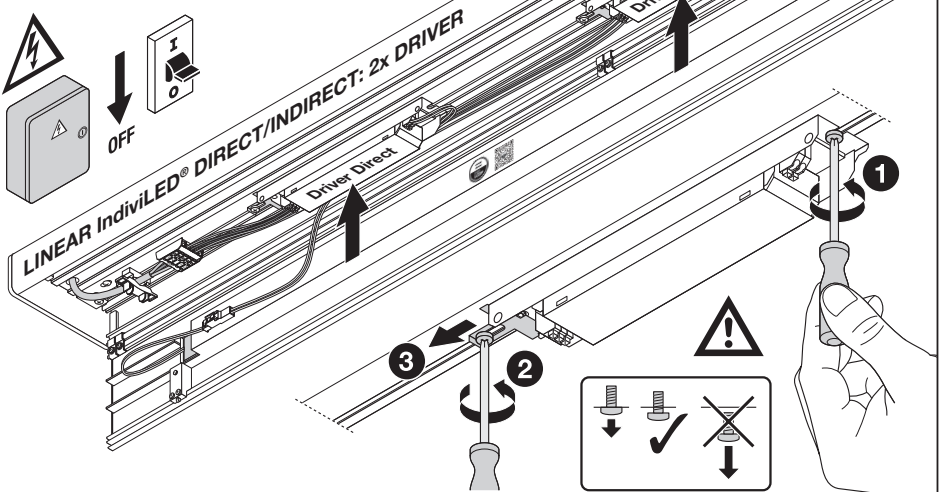
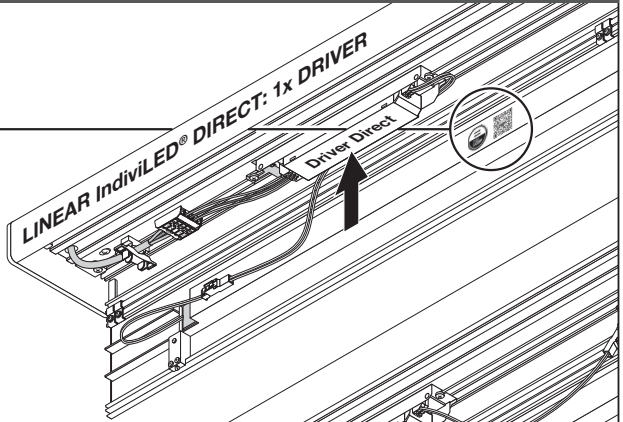
EVERLOOP Drivers¹⁾

www.ledvance.com/everloop-replacement

230V

LED

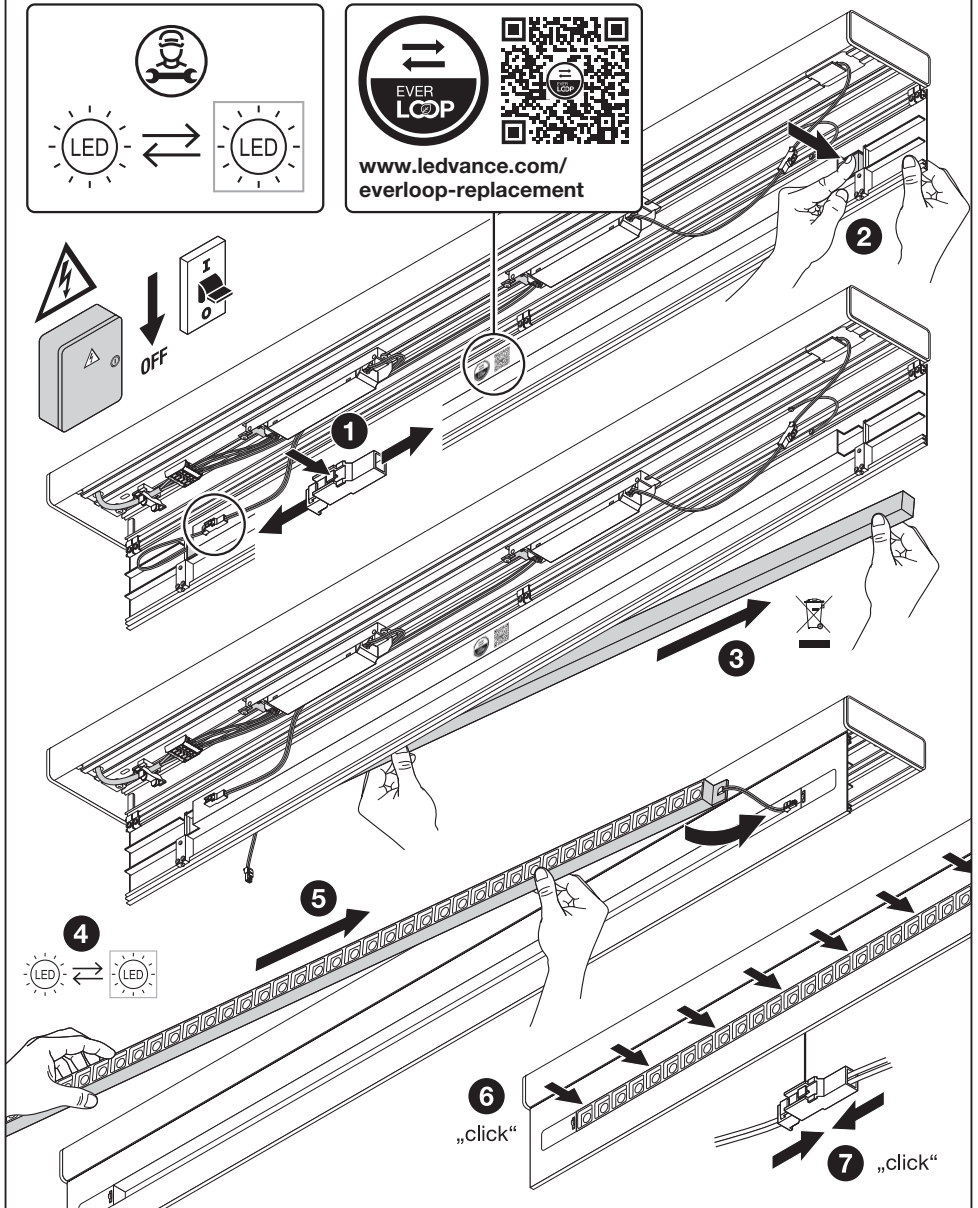
OFF



LINEAR INDIVILED® DIRECT
LINEAR INDIVILED® DIRECT ASYMMETRIC
LINEAR INDIVILED® DIRECT/INDIRECT



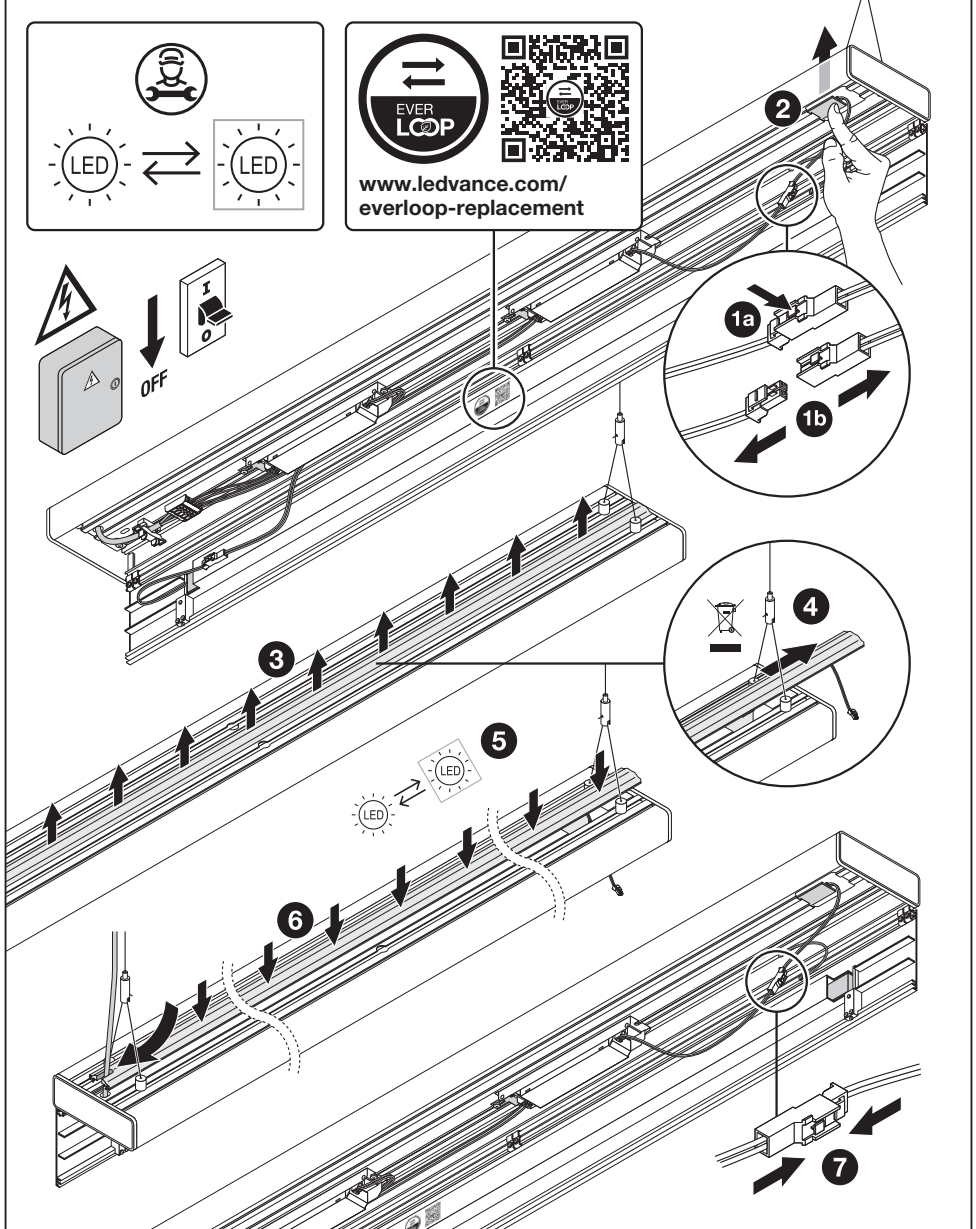
EVERLOOP Light Source Direct²⁾



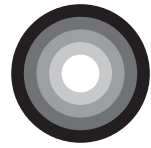
LINEAR INDIVILED® DIRECT
LINEAR INDIVILED® DIRECT ASYMMETRIC
LINEAR INDIVILED® DIRECT/INDIRECT



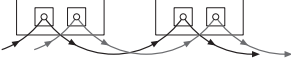



EVERLOOP Light Source Indirect³⁾

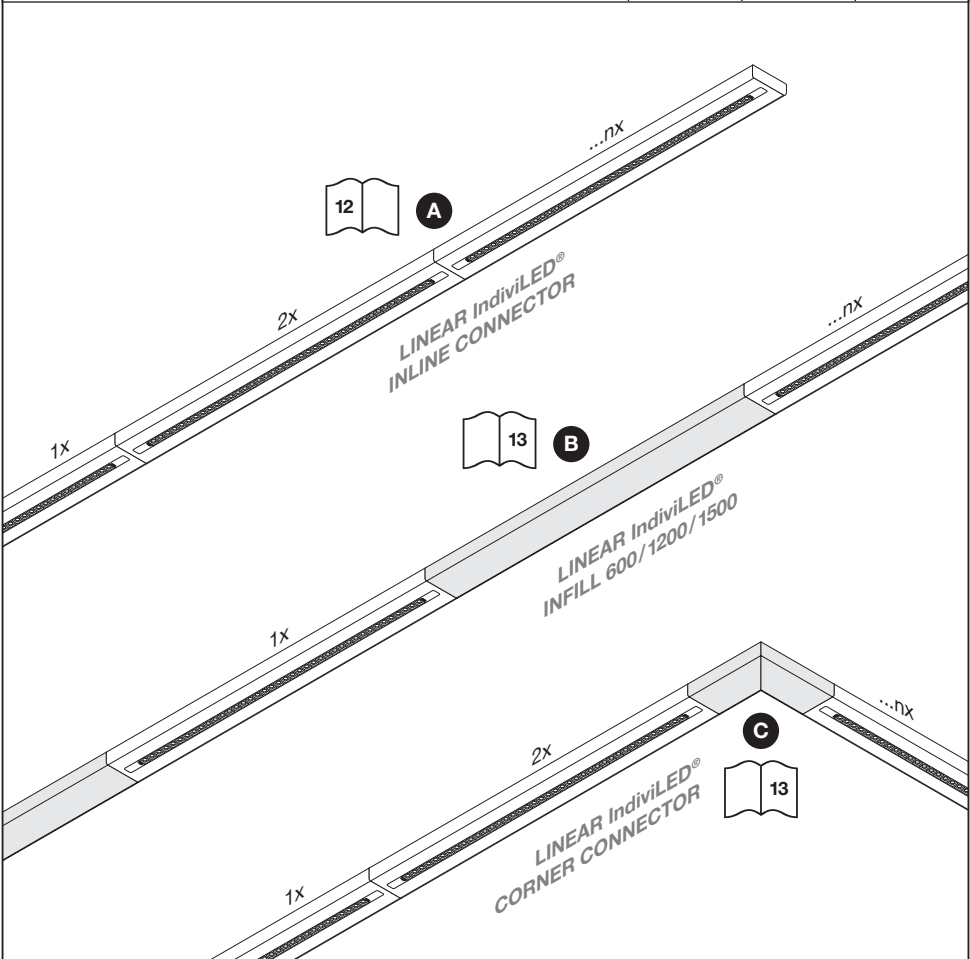


LINEAR INDIVILED® DIRECT
LINEAR INDIVILED® DIRECT ASYMMETRIC
LINEAR INDIVILED® DIRECT / INDIRECT



Multiple Luminaires⁴⁾

	C10 A 	B16 A 	C16 A 
LINEAR InvidiLED Direct 1200 P 40W (Asymmetric)	$n \leq 36$	$n \leq 50$	$n \leq 58$
LINEAR InvidiLED Direct 1500 P 52W	$n \leq 23$	$n \leq 28$	$n \leq 38$
LINEAR InvidiLED Direct / Indirect 1200 P 55W	$n \leq 29$	$n \leq 47$	$n \leq 47$
LINEAR InvidiLED Direct / Indirect 1500 P 69W	$n \leq 14$	$n \leq 17$	$n \leq 23$



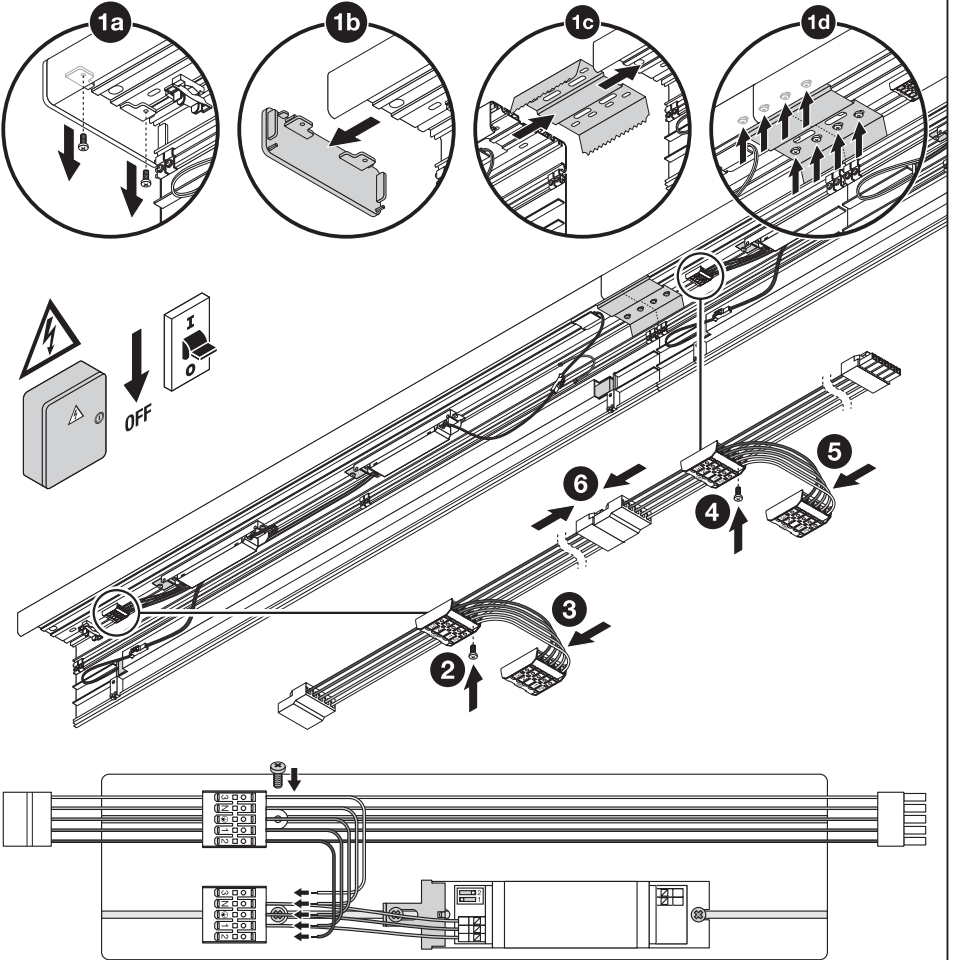
LINEAR INDIVILED® DIRECT
LINEAR INDIVILED® DIRECT ASYMMETRIC
LINEAR INDIVILED® DIRECT/INDIRECT



Multiple Luminaires⁴⁾ - Inline Connector

LINEAR IndiviLED® INLINE CONNECTOR	EAN 4099854215612
---	-----------------------------

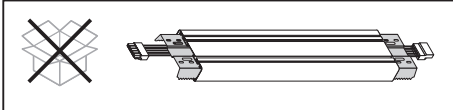
LINEAR IndiviLED® 1200 THROUGHWIRING KIT	EAN 4099854214820
LINEAR IndiviLED® 1500 THROUGHWIRING KIT	EAN 4099854214806



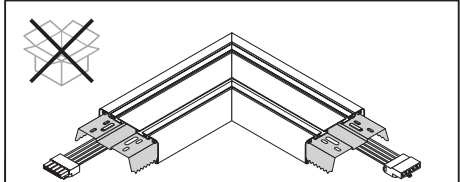
LINEAR INDIVILED® DIRECT
LINEAR INDIVILED® DIRECT ASYMMETRIC
LINEAR INDIVILED® DIRECT/INDIRECT



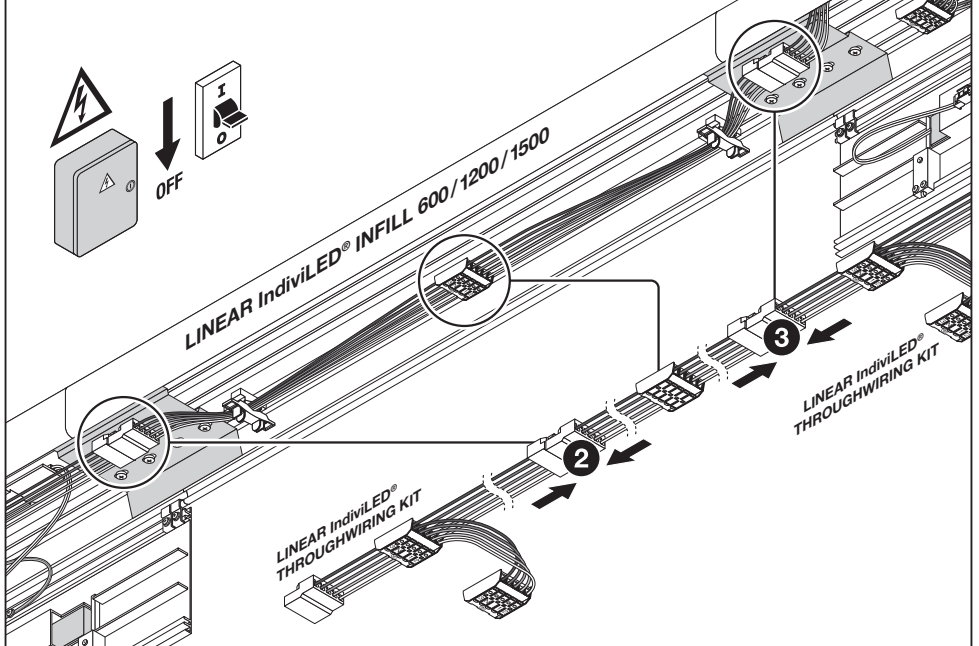
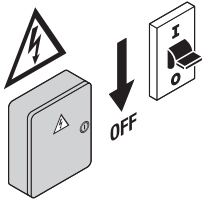
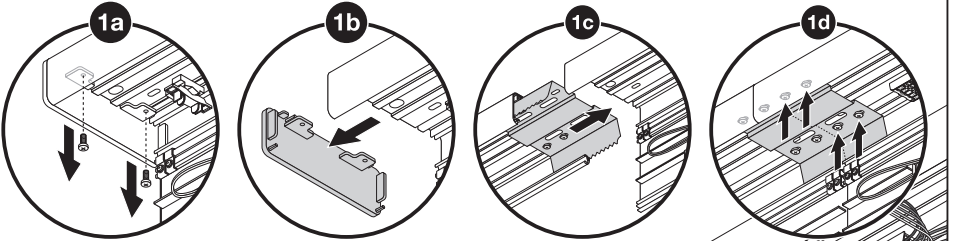
Multiple Luminaires⁴⁾ - Infill / Corner Connector



	EAN
LINEAR IndivILED® INFILL 600 WT	4099854214882
LINEAR IndivILED® INFILL 600 BK	4099854297045
LINEAR IndivILED® INFILL 1200 WT	4099854214868
LINEAR IndivILED® INFILL 1200 BK	4099854297007
LINEAR IndivILED® INFILL 1500 WT	4099854214844
LINEAR IndivILED® INFILL 1500 BK	4099854297021



	EAN
LINEAR IndivILED® CORNER CONNECTOR WT	4099854308093
LINEAR IndivILED® CORNER CONNECTOR BK	4099854308079



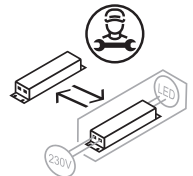
LINEAR INDIVILED® DIRECT

LINEAR INDIVILED® DIRECT ASYMMETRIC

LINEAR INDIVILED® DIRECT/INDIRECT



- GB** 1) Drivers
2) Light source direct
3) Light source indirect
4) Multiple luminaires
- D** 1) Treiber
2) Lichtquelle direkt
3) Lichtquelle indirekt
4) Mehrere Leuchten
- F** 1) Pilotes
2) Source lumineuse directe
3) Source lumineuse indirecte
4) Luminaires multiples
- I** 1) Driver
2) Sorgente luminosa diretta
3) Sorgente luminosa indiretta
4) Apparecchi multipli
- E** 1) Controladores
2) Fuente de luz directa
3) Fuente de luz indirecta
4) Varias luminarias
- P** 1) Drivers
2) Light source diretto
3) Light source indireto
4) Múltiplas luminárias
- GR** 1) Οδηγοί
2) Άμεση πηγή φωτός
3) Έμμεση πηγή φωτός
4) Πολλαπλά φωτιστικά
- NL** 1) Drivers
2) Lichtbron direct
3) Lichtbron indirect
4) Meerdere armaturen
- S** 1) Drivrutiner
2) Ljuskälla direkt
3) Ljuskälla indirekt
4) Flera armaturer
- FIN** 1) Ohjaimet
2) Suora valonlähde
3) Valonlähde epäsuora
4) Useita valaisimia
- N** 1) Driver
2) Lyskilde direkte
3) Lyskilde indirekte
4) Flere armaturer
- DK** 1) Driver
2) Lyskilde direkte
3) Lyskilde indirekte
4) Flere armaturer
- CZ** 1) Ovladače
2) Světelný zdroj přímý
3) Světelný zdroj nepřímý
4) Vícenásobná svítidla
- RUS** 1) приводы
2) источник света прямой
3) источник света непрямой
4) несколько светильников
- H** 1) Előtétek
2) Fényforrás, közvetlen
3) Fényforrás, közvetett
4) Többféle lámpatest
- PL** 1) Sterowniki
2) Źródło światła bezpośrednie
3) Źródło światła pośrednie
4) Oprawy wielopunktowe
- SK** 1) Ovládač
2) Lyskilde direkte
3) Lyskilde indirekte
4) Viaceré svietidlá
- SLO** 1) Gonilniki
2) Vir svetlobe direktni
3) Vir svetlobe indirektni
4) Več svetilk
- TR** 1) Sürücüler
2) Işık kaynağı dolaylı bağlantı
3) Işık kaynağı dolaylı
4) Çoklu armatürler
- HR** 1) Upravljački programi
2) Izravan izvor svjetlosti
3) Izvor svjetlosti neizravan
4) Više rasvjetnih tijela
- RO** 1) Unități de acționare
2) Sursă de lumină direct
3) Sursă de lumină indirect
4) Corpuri de iluminat multiple
- BG** 1) Драйвери
2) Пряк източник на светлина
3) Непряк източник на светлина
4) Множество осветителни тела
- EST** 1) Draiverid
2) Otsene valgusallikas
3) Valgusallikas kaudne
4) Mitu valgustit
- LT** 1) Tvarkyklės
2) Tiesioginis šviesos šaltinis
3) Šviesos šaltinis netiesioginis
4) Kelios lempos
- LV** 1) Draiveri
2) Gaismas avota tiešais
3) Gaismas avota netiešais
4) Vairāki gaismekļi
- SRB** 1) Drajveri
2) Direktni izvor svetlosti
3) Indirektni izvor svetlosti
4) Više svetiljki
- UA** 1) Драйвери
2) Dzherelo svitla pryame
3) Dzherelo nepryamooho svitla
4) Кілька світильників
- KZ** 1) Драйверлер
2) Жарық көзі тікелей
3) Жарық көзі жанама
4) Бірнеше шамдар



Points de collecte sur www.quefairedemesdechets.fr



LEDVANCE SASU
CQM, 5 rue d'Altorf
67120 Molsheim France
www.ledvance.com

C10449060
G11234517
23.04.2025

© LEDVANCE Ltd, Sterling House,
810 Mandarin Court, Warrington,
Cheshire, WA1 1GG, United Kingdom