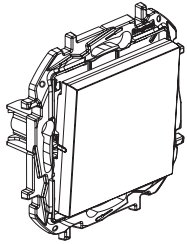
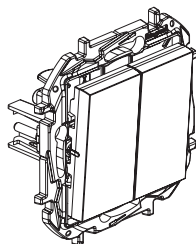


## Niloé™ STEP Lighting controls

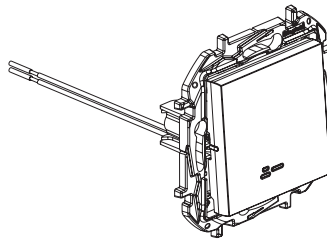
Cat. No(s): 3 982 00B/02B/20B/21B/22B/23B/24B/25B/26B/27B/28B/32B/33B/34B,  
3 981 01B/11B/05B/15B, 3 984 01B/05B/07B/11B/15B/06B/08B/16B/09B, 3 985  
01B/05B/11B/15B, 8 63X 01B/05B/06B/08B/09B/10B/11B/12B/13B/15B/16B/18B



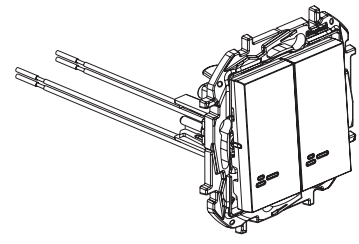
3 981 01B,  
3 982 00B/20B/21B/22B/28B/32B/33B/34B,  
3 984 01B/06B/09B, 3 985 01B,  
8 63X 01B/06B/09B/12B



3 981 05B,  
3 982 02B/26B/27B,  
3 984 05B/08B, 3 985 05B,  
8 63X 05B/08B/10B



3 981 11B,  
3 982 23B/24B/25B,  
3 984 11B/16B, 3 985 11B,  
8 63X 11B/13B/16B



3 981 15B,  
3 984 15B, 3 985 15B,  
8 63X 15B/18B

### 1. USE

Lighting controls mechanisms 3 981 01B/11B/05B/15B, 3 984 01B/05B/07B/11B/15B/06B/08B/16B/09B, 3 985 01B/05B/11B/15B, 3 982 00B/02B/20B/21B/22B/23B/24B/25B/26B/27B/28B, 8 63X 01B/05B/06B/08B/11B/15B/16B/18B 10 AX - 250 V~.

Push button mechanism 3 982 32B/33B/34B, 8 63X 09B/10B/12B/13B 6A-250 V~.

To be equipped with plates one or several gangs.

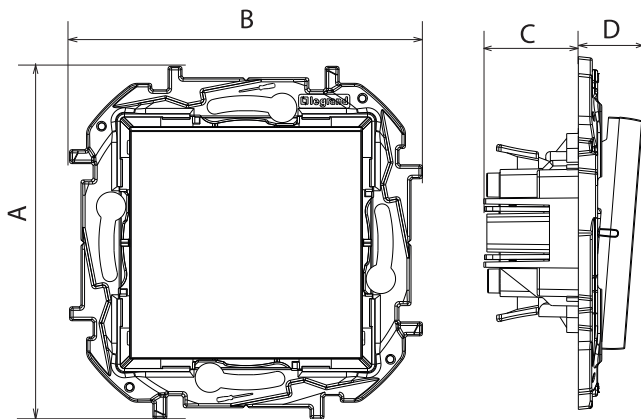
Flush-mounting or surface-mounting.

Screw or claw fixing.

### 2. RANGE

Description	White	Aluminium	Medium Grey	Black
One-way switch	3 981 01B, 8 631 01B	8 633 01B	3 984 01B, 8 634 01B	3 985 01B, 8 635 01B
Illuminated one-way switch	3 981 11B, 8 631 11B	8 633 11B	3 984 11B, 8 634 11B	3 985 11B, 8 635 11B
Two-gang one-way switch	3 981 05B, 8 631 05B	8 633 05B	3 984 05B, 8 634 05B	3 985 05B, 8 635 05B
Two-way switch	3 982 00B/20B, 8 631 06B	3 982 21B, 8 633 06B	3 984 06B, 8 634 06B	3 982 22B, 8 635 06B
Illuminated two-gang one-way switch	3 981 15B, 8 631 15B	8 633 15B	3 984 15B, 8 634 15B	3 985 15B, 8 635 15B
Illuminated two-way switch	3 982 23B, 8 631 16B	3 982 24B, 8 633 16B	3 984 16B, 8 634 16B	3 982 25B, 8 635 16B
Two-gang two-way switch	3 982 02B/26B, 8 631 08B	3 982 27B, 8 633 08B	3 984 08B, 8 634 08B	3 982 28B, 8 635 08B
One-way push button	8 631 09B	8 633 09B	8 634 09B	8 635 09B
Illuminated push button with picto bell	8 631 10B	8 633 10B	8 634 10B	8 635 10B
Two-gang one-way push button	8 631 12B	8 633 12B	8 634 12B	8 635 12B
Illuminated push button	8 631 13B	8 633 13B	8 634 13B	8 635 13B
Changeover push button	3 982 32B	3 982 33B	3 984 09B	3 982 34B
Illuminated two-gang two-way switch	8 631 18B	8 633 18B	8 634 18B	8 635 18B

### 3. DIMENSIONS (mm)



References	A	B	C	D
3 981 01B/11B, 3 982 00B/20B/21B/22B/23B/24B/25B/28B /32B/33B/34B, 3 984 01B/06B/09B/11B/16B, 3 985 01B/11B, 8 63X 01B/06B/09B/11B/12B/13B/16B	75.8	75.8	20.3	13.8

### 4. CONNECTION

Type of terminals: automatic  
Stripping length: 13 mm  
Capacity: 2 x 2.5 mm<sup>2</sup>  
Flexible or rigid cables compatible

### 5. TECHNICAL CHARACTERISTICS

#### ■ 5.1 Mechanical characteristics

Protection against solid bodies and liquids: IP 20  
Protection against impact: IK 04

#### ■ 5.2 Material characteristics

Mat appearance  
Mechanism housing: PC  
Rocker plate: ABS  
Halogen-free  
Claws: steel  
Support: PC  
Halogen-free

Self-extinguishing:  
850°C/30 s for insulating components holding live parts in place  
650°C/30 s for other insulating components

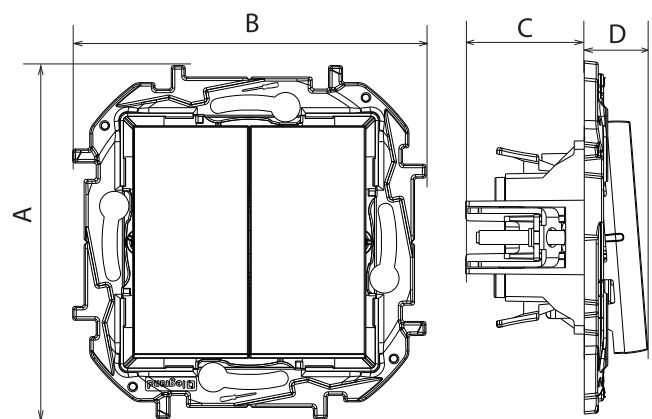
#### ■ 5.3 Electrical characteristics

Voltage: 250 V~  
Current: 3 981 01B/11B/05B/15B, 3 984 01B/05B/07B/11B/15B/06B/08B/  
16B/09B, 3 985 01B/05B/11B/15B, 3 982 00B/02B/20B/21B/22B/23B/24B  
/25B/26B/27B/28B, 8 63X 01B/05B/06B/08B/11B/15B/16B/18B 10 AX  
3 982 32B/33B/34B, 8 63X 09B/10B/12B/13B 6A

Frequency: 50/60 Hz  
Maximum power on integrated ballast lamps: 100 W

#### ■ 5.4 Climate characteristics

Storage temperature: -10°C to +70°C  
Usage temperature: -5°C to +40°C



References	A	B	C	D
3 981 05B/15B 3 982 02B/26B/27B, 3 984 05B/08B/15B, 3 895 05B/15B, 8 63X 05B/08B/10B/15B/18B	75.8	75.8	25.5	13.6

### 6. MAINTENANCE

Surface cleaning with a cloth.  
Do not use: acetone, tar remover, trichloroethylene.

Maintenance with the following products:  
Hexane, methylated spirit, soapy water, diluted ammonia, pure bleach diluted to 10%, window-cleaning products.

**Caution:** Always test before using other special cleaning products

### 7. STANDARDS AND APPROVALS

The undersigned, LEGRAND, declares that the radio-electric equipment type (Cat. Nos: 3 981 01B - 3 981 11B - 3 981 05B - 3 981 15B - 3 982 00B - 3 982 02B - 3 982 20B - 3 982 21B - 3 982 22B - 3 982 23B - 3 982 24B - 3 982 25B - 3 982 26B - 3 982 27B - 3 982 28B - 3 982 32B - 3 982 33B - 3 982 34B - 3 984 01B - 3 984 05B - 3 984 07B - 3 984 11B - 3 984 15B - 3 984 06B - 3 984 08B - 3 984 16B - 3 984 09B - 3 985 01B - 3 985 05B - 3 985 11B - 3 985 15B - 8 631 01B - 8 631 05B - 8 631 06B - 8 631 08B - 8 631 09B - 8 631 10B - 8 631 11B - 8 631 12B - 8 631 13B - 8 631 15B - 8 631 16B - 8 631 18B - 8 633 01B - 8 633 05B - 8 633 06B - 8 633 08B - 8 633 09B - 8 633 10B - 8 633 11B - 8 633 12B - 8 633 13B - 8 633 15B - 8 633 16B - 8 633 18B - 8 634 01B - 8 634 05B - 8 634 06B - 8 634 08B - 8 634 09B - 8 634 10B - 8 634 11B - 8 634 12B - 8 634 13B - 8 634 15B - 8 634 16B - 8 634 18B - 8 635 01B - 8 635 05B - 8 635 06B - 8 635 08B - 8 635 09B - 8 635 10B - 8 635 11B - 8 635 12B - 8 635 13B - 8 635 15B - 8 635 16B - 8 635 18B) complies with directive 2014/53/EU.  
The full text of the EU declaration of conformity is available on the following website: [www.legrand.com/ecatalogue](http://www.legrand.com/ecatalogue)