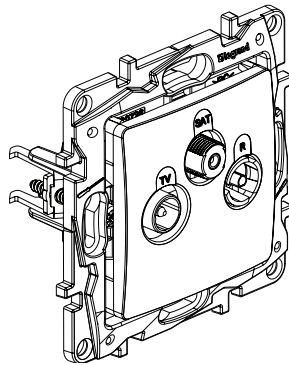


NiloTM sélection
TV-R-SAT sockets



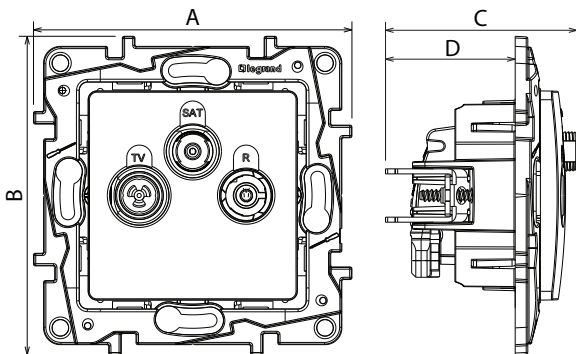
1. USE

TV-R-SAT: For receiving TV, radio and satellite signals.
 UHD (ultra high definition) compatible.
 Class A shielding - Star wiring - Passthrough - Thermal.
 Recommended cable 17/19 VATC.
 Double cable entry.

2. RANGE

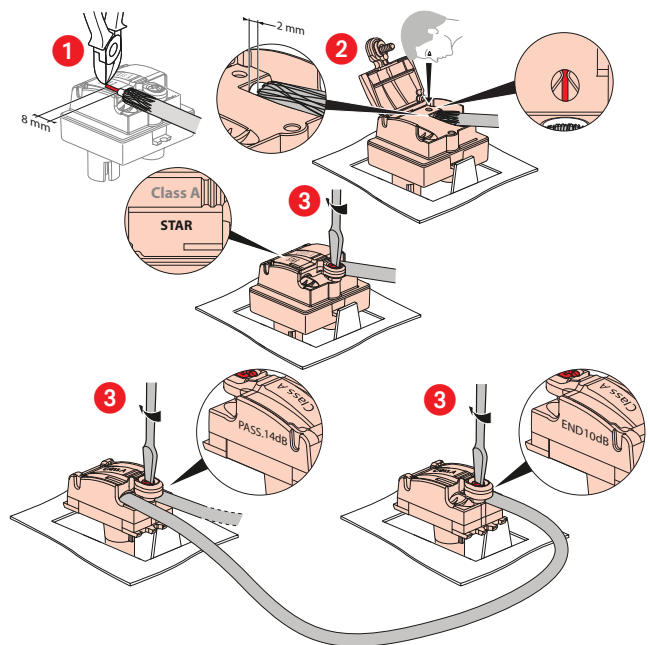
Designation	Aluminium	Anthracite	Smoked grey	Pearl
Male TV-R-SAT Star socket	7 621 63	7 622 63	7 623 63	7 624 63
Male TV-R-SAT 14 dB pass-through socket	7 621 64	7 622 64	7 623 64	7 624 64
Male TV-R-SAT 10 dB terminal socket	7 621 65	7 622 65	7 623 65	7 624 65

3. DIMENSIONS (mm)

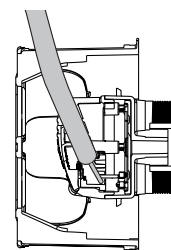
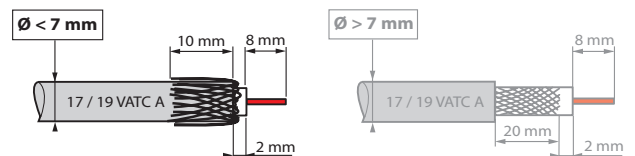


A	B	C	D
75.8	75.8	45.6	30.9

4. CONNECTION



5. WIRING PRECAUTIONS



Connection from the rear of the socket reduces deformation of the coaxial cable, thus avoiding the risk of impedance loss and impaired performance.

6. TECHNICAL CHARACTERISTICS

■ 6.1 Mechanical characteristics

Protection against solid bodies and liquids: IP 21
 Protection against impacts: IK 04
 Cable resistance: 120 N

■ 6.2 Material characteristics

Material: Cover-plate: ABS
 Mechanism casing: PC
 Support: PC
 Claws: Steel

Halogen-free
 UV-resistant

Motor: - Box: Zamac
 - Cover: Zamac
 - Pin: Bronze
 - Screws: Steel

Self-extinguishing: 650°C/30 s

■ 6.3 Electrical characteristics

- Impedance: 75 Ohm
 - Male connector Ø 9.52 mm (TV)
 - Class A shielding efficiency (class A shielding is necessary to prevent interference caused by using new 3 and 4 G phone signals, as these unwanted signals can result in pixellation on screen or adversely affect the sound track).
 - Frequency bands: TV: 5-68/120-862 MHz
 SAT: 950-2400 MHz
 - Low attenuation: <1.5 dB

■ 6.4 Climate characteristics

Storage temperature : -10°C to +70°C
 Use temperature: -5°C to +40°C

7. MAINTENANCE

Surface cleaning with a cloth.
 Do not use: acetone, tar remover, trichloroethylene.

Maintenance with the following products: Hexane (EN 60669-1), Methylated spirit, Soapy water, Diluted ammonia, Bleach diluted to 10%, Window-cleaning products.

Caution: Always test before using other special cleaning products.

8. STANDARDS AND APPROVALS

Compliant with installation and manufacturing standards
 Refer to e. catalogue.

9. PERFORMANCE

