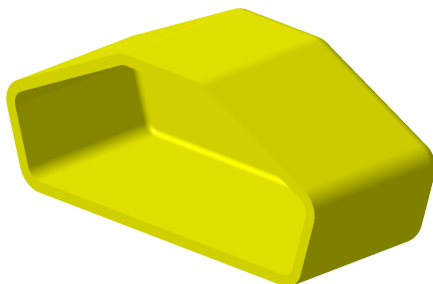


EMBOUT PROTECTION CSN
END CAP FAS

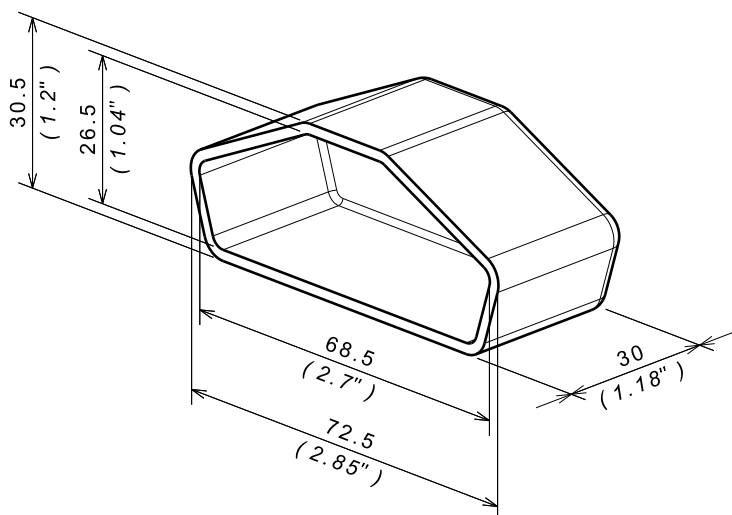
Reference(s) : 559 605



1. RANGE

Designation	Code	Poids / Weight (Kg) / (lb)	Epaisseur / Thickness (mm) / (inch)	Matière / Material	Norme / Standard	Finition / Coating	Norme / Standard
EPVCSN	559 605	0.015 / 0.033	1.0 mini / 0.04" mini	PVC (RAL 1021)	-	-	-

2. DIMENSIONS (mm/inch)



3. INSTALLATION

