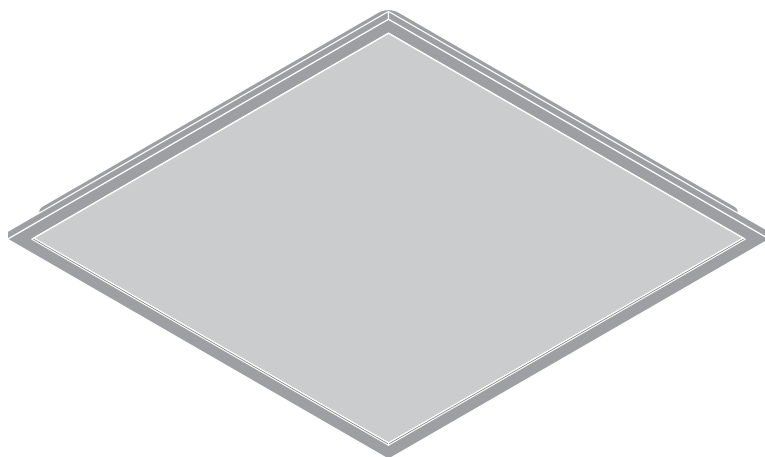




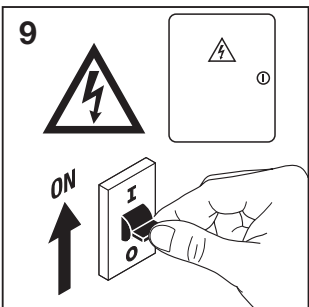
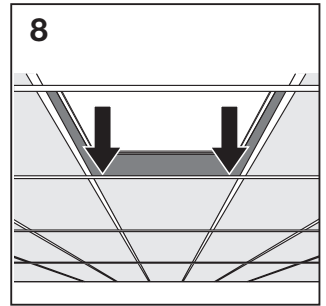
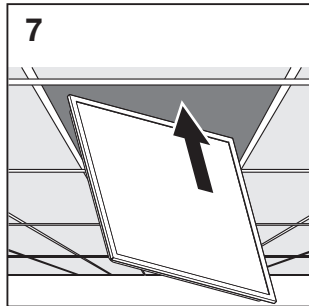
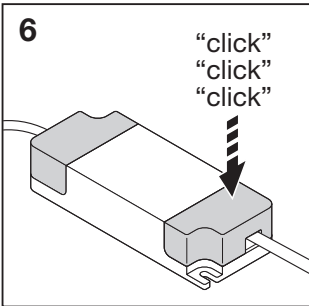
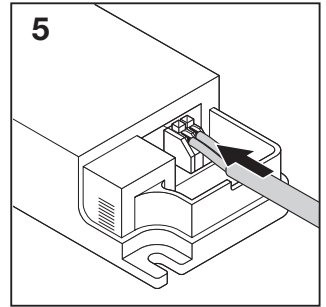
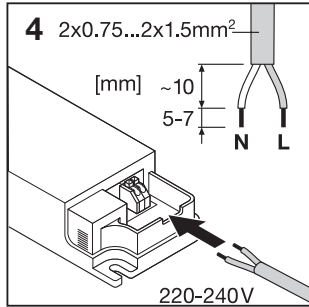
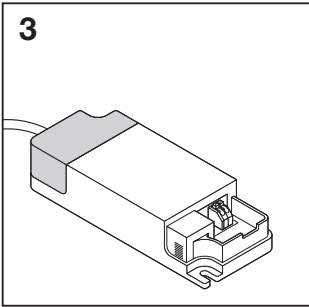
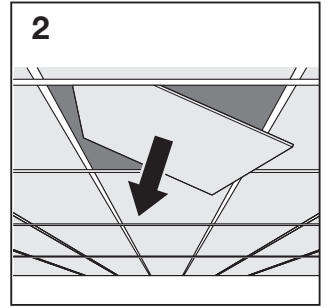
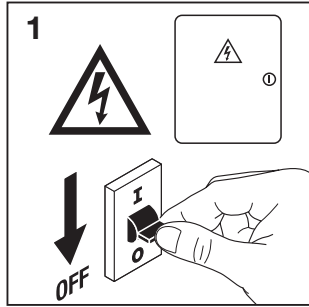
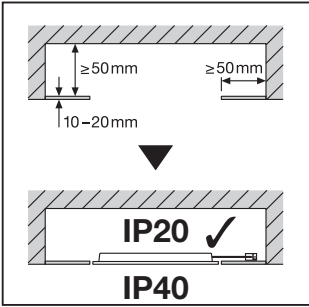
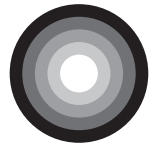
PANEL ECO ULTRA HLO 600

LEDVANCE



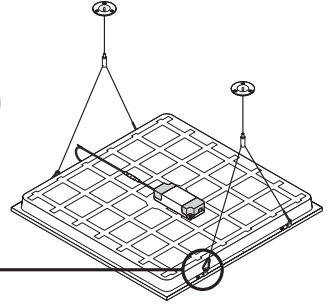
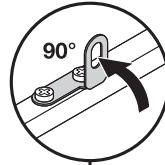
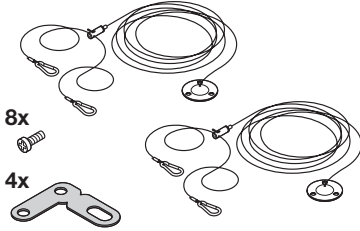
	EAN	Ø x h [mm]	W	V _{AC}	Hz	lm	lm/W	K
PL ECO UHLO 600 E 23W 840	4099854325625	595x595x32	23	220-240	50/60	4255	185	4000
PL ECO UHLO 600 E 23W 840 U19	4099854325649	595x595x32	23	220-240	50/60	4025	175	4000

	EAN	IP	IK		R _a	°(°C)	PF	
PL ECO UHLO 600 E 23W 840	4099854325625	40/20	02	120	>80	0...+40	>0.9	1.60kg
PL ECO UHLO 600 E 23W 840 U19	4099854325649	40/20	02	90	>80	0...+40	>0.9	1.75kg

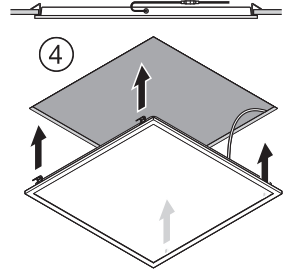
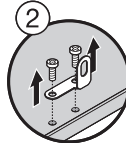
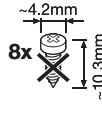
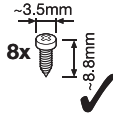
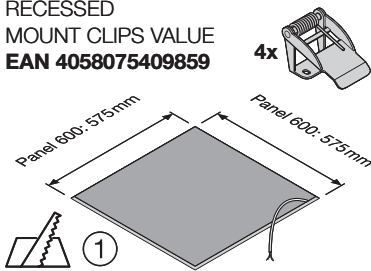




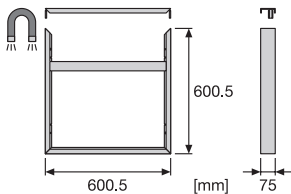
**SUSPENSION KIT
EAN 4058075402928**



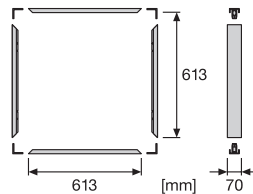
**RECESSED
MOUNT CLIPS VALUE
EAN 4058075409859**



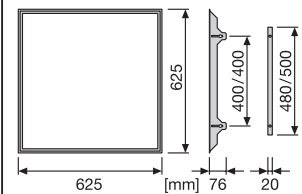
**PL 600 SURFACE MOUNT KIT H75
EAN 4058075472914**



**PL 600 SURFACE MOUNT KIT H70 VAL
EAN 4058075402843**



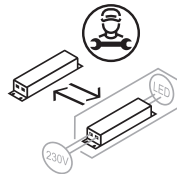
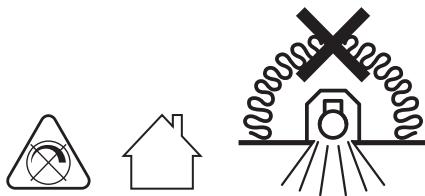
**PL 600 RECESSED MOUNT FRAME
EAN 4058075402881**



**

	B16A 	C10A 	C16A
PL ECO UHLO 600 E 23W	n = 12	n = 13	n = 21

Model		
	Uout	Iout
PL ECO UHLO 600 E 23W PL ECO UHLO 600 E 23W U19	41V	520mA



FR
Cet appareil,
ses accessoires
et son cordon,
se recyclent



Points de collecte sur www.quefairedemesdechets.fr



C10449057
G11259077
29.10.25

LEDVANCE SASU
CQM, 5 rue d'Altorf
67120 Molsheim France
www.ledvance.com

© LEDVANCE Ltd, Sterling House, 810
Mandarin Court, Warrington, Cheshire,
WA1 1GG, United Kingdom