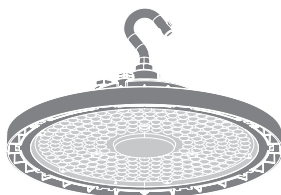
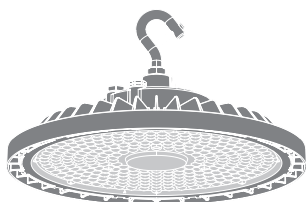
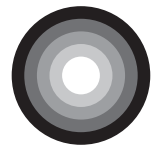


HIGHBAY V DALI

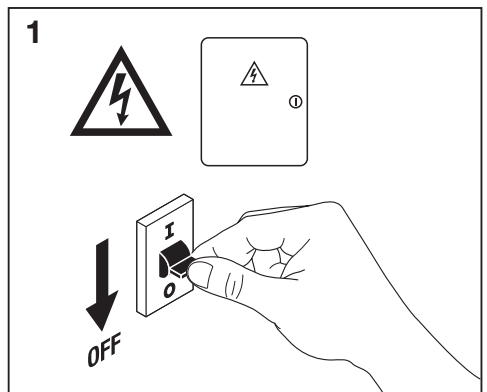
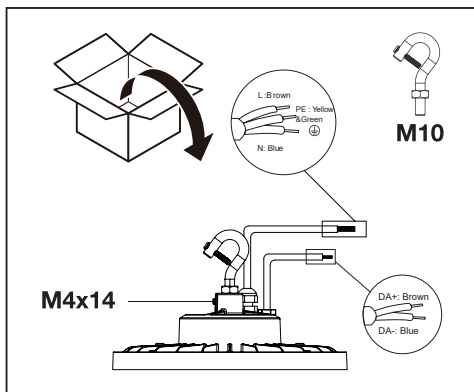



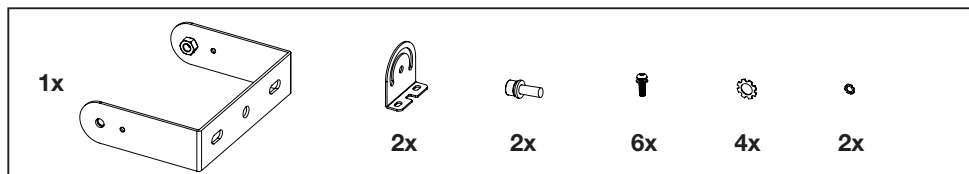
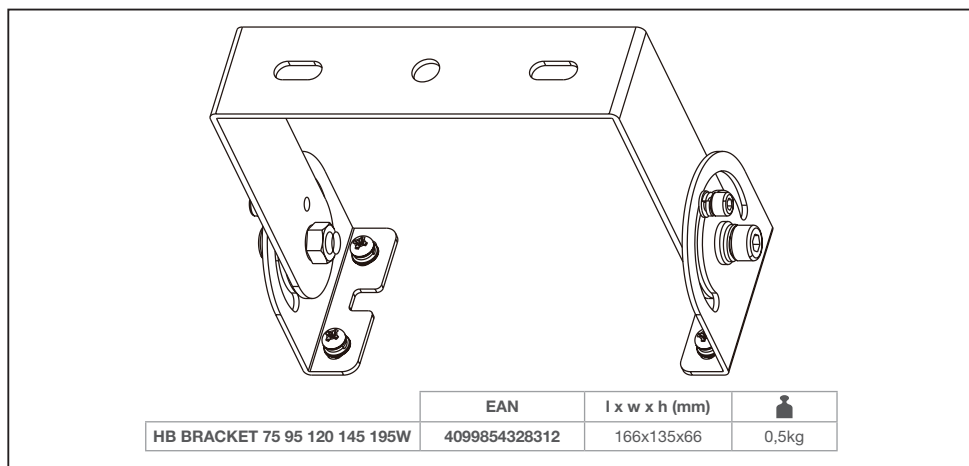
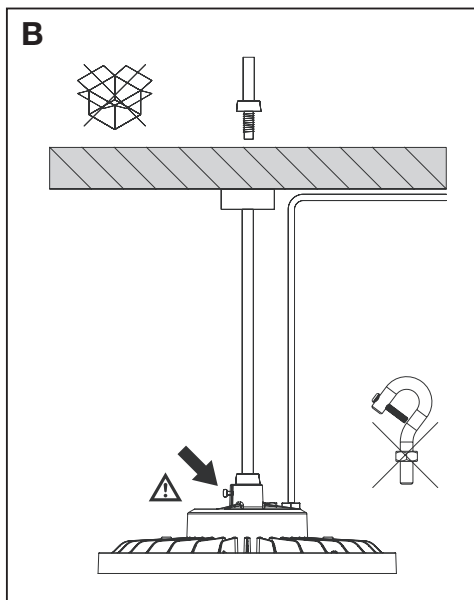
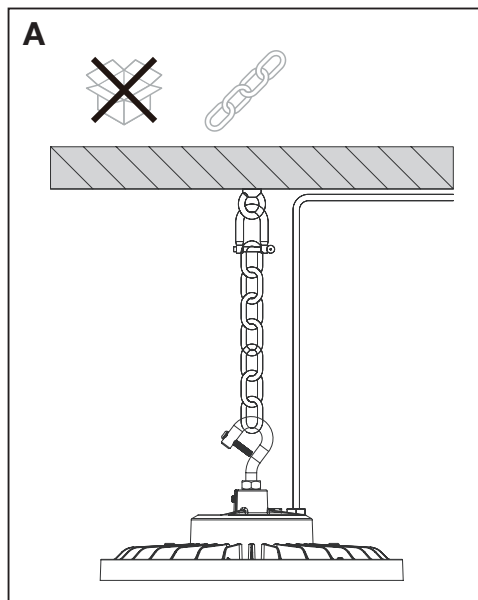
	EAN	ø x h (mm)	W	V	Hz	lm	lm/W
HB DALI V 70W 840 60DEG IP66	4099854565663	246x120	70	220-240	50/60	12250	175
HB DALI V 70W 840 90DEG IP66	4099854565755	246x120	70	220-240	50/60	12600	180
HB DALI V 70W 857 60DEG IP66	4099854565861	246x120	70	220-240	50/60	12250	175
HB DALI V 70W 857 90DEG IP66	4099854566035	246x120	70	220-240	50/60	12600	180
HB DALI V 70W 865 60DEG IP66	4099854566080	246x120	70	220-240	50/60	12250	175
HB DALI V 70W 865 90DEG IP66	4099854566172	246x120	70	220-240	50/60	12600	180
HB DALI V 95W 840 60DEG IP66	4099854566189	246x120	95	220-240	50/60	16625	175
HB DALI V 95W 840 90DEG IP66	4099854566196	246x120	95	220-240	50/60	17100	180
HB DALI V 95W 857 60DEG IP66	4099854566202	246x120	95	220-240	50/60	16625	175
HB DALI V 95W 857 90DEG IP66	4099854566219	246x120	95	220-240	50/60	17100	180
HB DALI V 95W 865 60DEG IP66	4099854566226	246x120	95	220-240	50/60	16625	175
HB DALI V 95W 865 90DEG IP66	4099854566271	246x120	95	220-240	50/60	17100	180
HB DALI V 120W 840 60DEG IP66	4099854566288	246x120	120	220-240	50/60	21000	175
HB DALI V 120W 840 90DEG IP66	4099854566295	246x120	120	220-240	50/60	21600	180
HB DALI V 120W 857 60DEG IP66	4099854566349	246x120	120	220-240	50/60	21000	175
HB DALI V 120W 857 90DEG IP66	4099854566356	246x120	120	220-240	50/60	21600	180
HB DALI V 120W 865 60DEG IP66	4099854566363	246x120	120	220-240	50/60	21000	175
HB DALI V 120W 865 90DEG IP66	4099854566479	246x120	120	220-240	50/60	21600	180
HB DALI V 145W 840 60DEG IP66	4099854566769	266x120	145	220-240	50/60	25375	175
HB DALI V 145W 840 90DEG IP66	4099854566851	266x120	145	220-240	50/60	26100	180
HB DALI V 145W 857 60DEG IP66	4099854566967	266x120	145	220-240	50/60	25375	175
HB DALI V 145W 857 90DEG IP66	4099854567018	266x120	145	220-240	50/60	26100	180
HB DALI V 145W 865 60DEG IP66	4099854567148	266x120	145	220-240	50/60	25375	175
HB DALI V 145W 865 90DEG IP66	4099854567155	266x120	145	220-240	50/60	26100	180
HB DALI V 195W 840 60DEG IP66	4099854567162	288x120	195	220-240	50/60	34125	175
HB DALI V 195W 840 90DEG IP66	4099854567179	288x120	195	220-240	50/60	35100	180
HB DALI V 195W 857 60DEG IP66	4099854567186	288x120	195	220-240	50/60	34125	175
HB DALI V 195W 857 90DEG IP66	4099854567193	288x120	195	220-240	50/60	35100	180
HB DALI V 195W 865 60DEG IP66	4099854567209	288x120	195	220-240	50/60	34125	175
HB DALI V 195W 865 90DEG IP66	4099854567216	288x120	195	220-240	50/60	35100	180

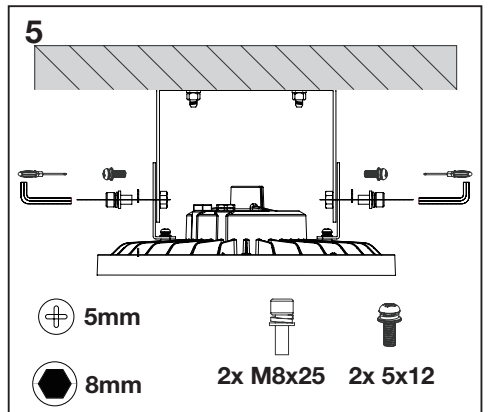
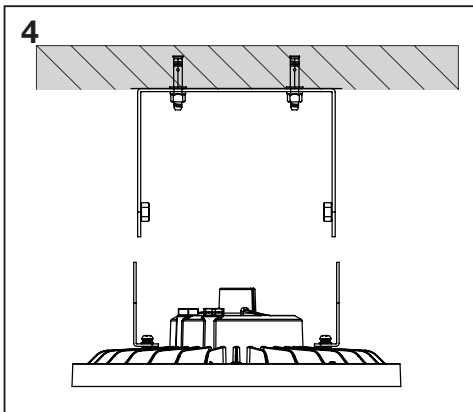
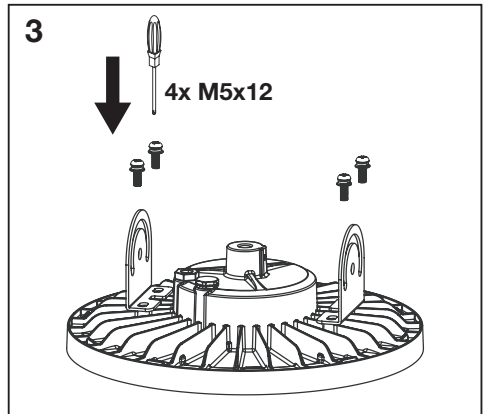
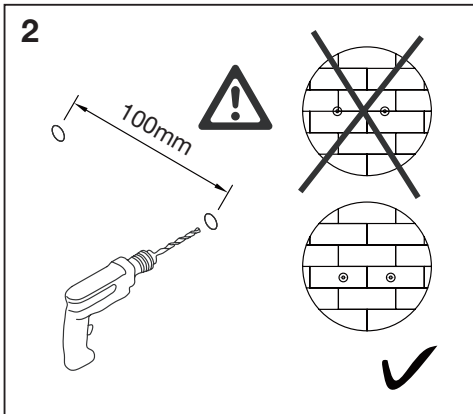
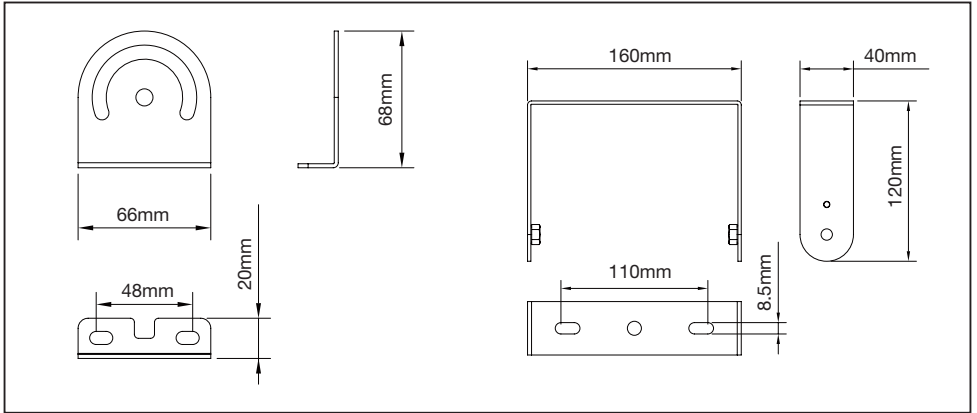
HIGHBAY V DALI

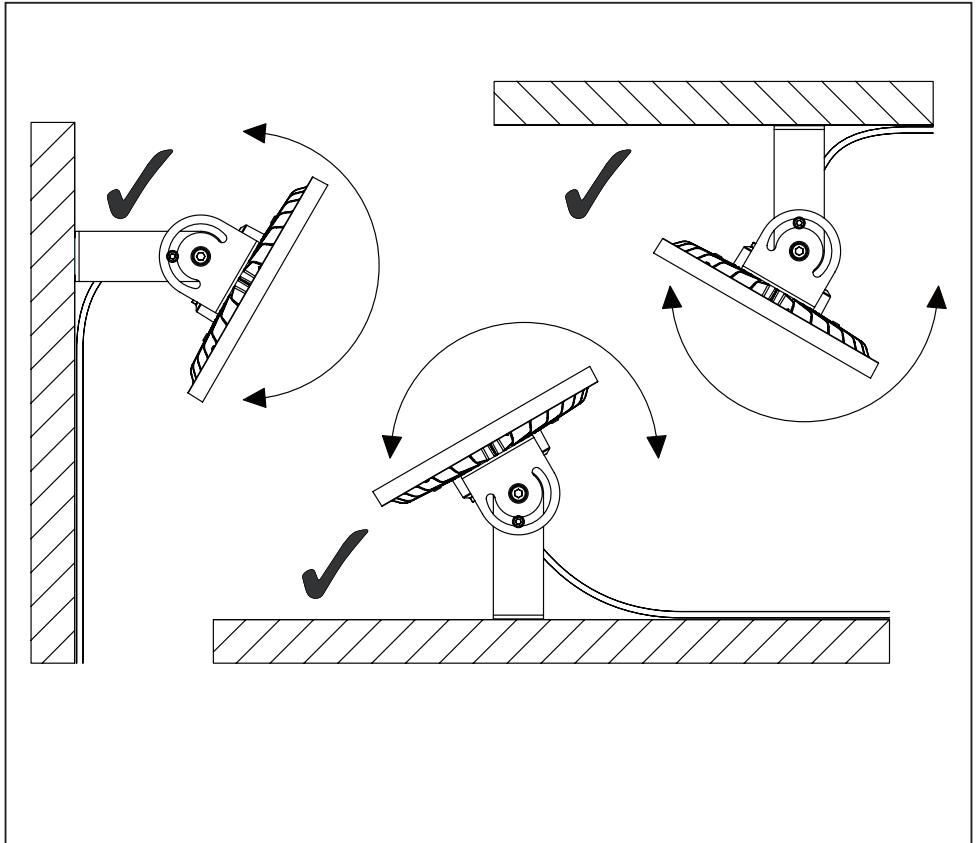
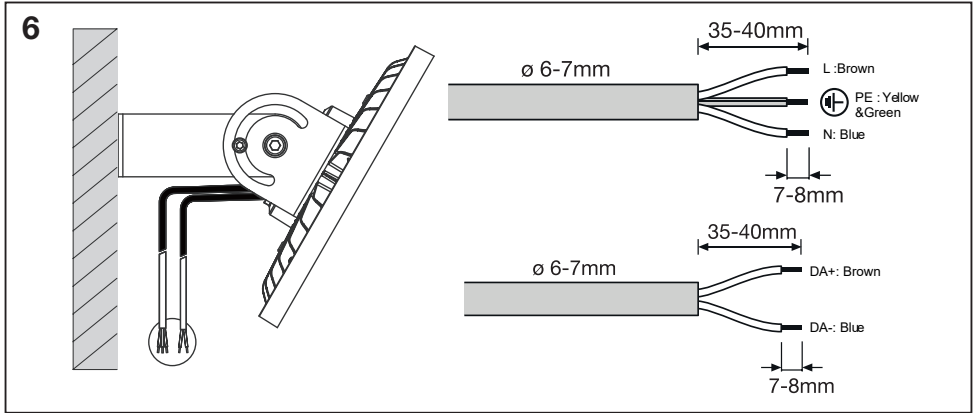
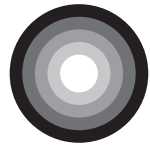


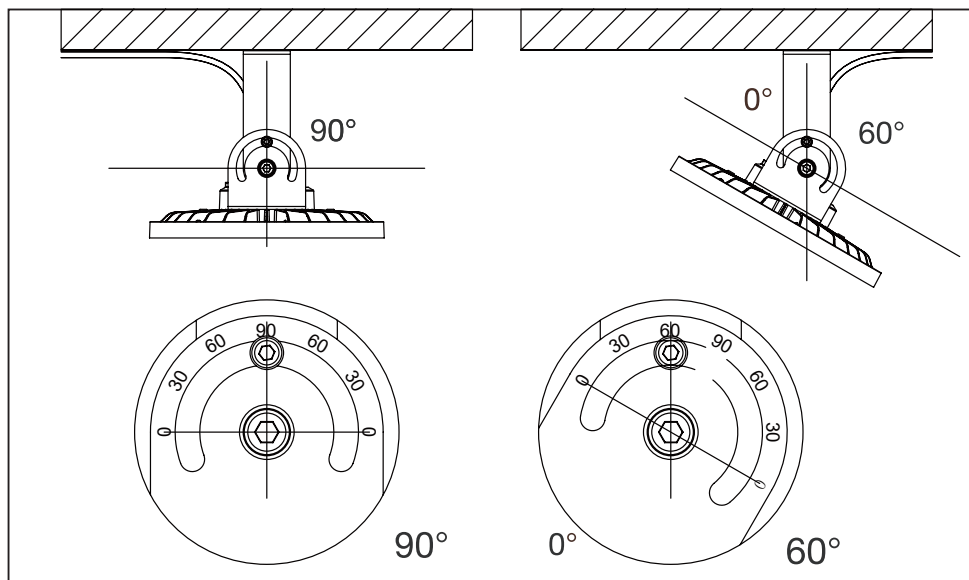
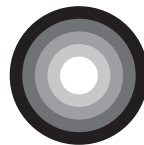
	EAN	K	°C	▽	R _a	IP/IK	☉	👤
HB DALI V 70W 840 60DEG IP66	4099854566663	4000	-20...+45	60	>80	IP66/IK10	10-100%	1.1kg
HB DALI V 70W 840 90DEG IP66	4099854566755	4000	-20...+45	90	>80	IP66/IK10	10-100%	1.1kg
HB DALI V 70W 857 60DEG IP66	4099854566861	5700	-20...+45	60	>80	IP66/IK10	10-100%	1.1kg
HB DALI V 70W 857 90DEG IP66	4099854566035	5700	-20...+45	90	>80	IP66/IK10	10-100%	1.1kg
HB DALI V 70W 865 60DEG IP66	4099854566080	6500	-20...+45	60	>80	IP66/IK10	10-100%	1.1kg
HB DALI V 70W 865 90DEG IP66	4099854566172	6500	-20...+45	90	>80	IP66/IK10	10-100%	1.1kg
HB DALI V 95W 840 60DEG IP66	4099854566189	4000	-20...+45	60	>80	IP66/IK10	10-100%	1.1kg
HB DALI V 95W 840 90DEG IP66	4099854566196	4000	-20...+45	90	>80	IP66/IK10	10-100%	1.1kg
HB DALI V 95W 857 60DEG IP66	4099854566202	5700	-20...+45	60	>80	IP66/IK10	10-100%	1.1kg
HB DALI V 95W 857 90DEG IP66	4099854566219	5700	-20...+45	90	>80	IP66/IK10	10-100%	1.1kg
HB DALI V 95W 865 60DEG IP66	4099854566226	6500	-20...+45	60	>80	IP66/IK10	10-100%	1.1kg
HB DALI V 95W 865 90DEG IP66	4099854566271	6500	-20...+45	90	>80	IP66/IK10	10-100%	1.1kg
HB DALI V 120W 840 60DEG IP66	4099854566288	4000	-20...+45	60	>80	IP66/IK10	10-100%	1.1kg
HB DALI V 120W 840 90DEG IP66	4099854566295	4000	-20...+45	90	>80	IP66/IK10	10-100%	1.1kg
HB DALI V 120W 857 60DEG IP66	4099854566349	5700	-20...+45	60	>80	IP66/IK10	10-100%	1.1kg
HB DALI V 120W 857 90DEG IP66	4099854566356	5700	-20...+45	90	>80	IP66/IK10	10-100%	1.1kg
HB DALI V 120W 865 60DEG IP66	4099854566363	6500	-20...+45	60	>80	IP66/IK10	10-100%	1.1kg
HB DALI V 120W 865 90DEG IP66	4099854566479	6500	-20...+45	90	>80	IP66/IK10	10-100%	1.1kg
HB DALI V 145W 840 60DEG IP66	4099854566769	4000	-20...+45	60	>80	IP66/IK10	10-100%	1.3kg
HB DALI V 145W 840 90DEG IP66	4099854566851	4000	-20...+45	90	>80	IP66/IK10	10-100%	1.3kg
HB DALI V 145W 857 60DEG IP66	4099854566967	5700	-20...+45	60	>80	IP66/IK10	10-100%	1.3kg
HB DALI V 145W 857 90DEG IP66	4099854567018	5700	-20...+45	90	>80	IP66/IK10	10-100%	1.3kg
HB DALI V 145W 865 60DEG IP66	4099854567148	6500	-20...+45	60	>80	IP66/IK10	10-100%	1.3kg
HB DALI V 145W 865 90DEG IP66	4099854567155	6500	-20...+45	90	>80	IP66/IK10	10-100%	1.3kg
HB DALI V 195W 840 60DEG IP66	4099854567162	4000	-20...+45	60	>80	IP66/IK10	10-100%	1.8kg
HB DALI V 195W 840 90DEG IP66	4099854567179	4000	-20...+45	90	>80	IP66/IK10	10-100%	1.8kg
HB DALI V 195W 857 60DEG IP66	4099854567186	5700	-20...+45	60	>80	IP66/IK10	10-100%	1.8kg
HB DALI V 195W 857 90DEG IP66	4099854567193	5700	-20...+45	90	>80	IP66/IK10	10-100%	1.8kg
HB DALI V 195W 865 60DEG IP66	4099854567209	6500	-20...+45	60	>80	IP66/IK10	10-100%	1.8kg
HB DALI V 195W 865 90DEG IP66	4099854567216	6500	-20...+45	90	>80	IP66/IK10	10-100%	1.8kg



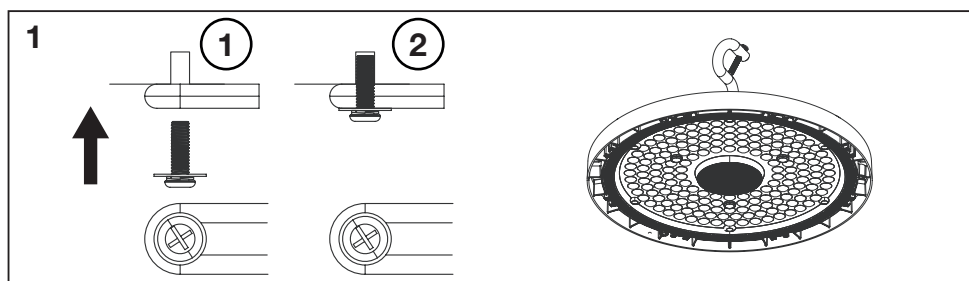


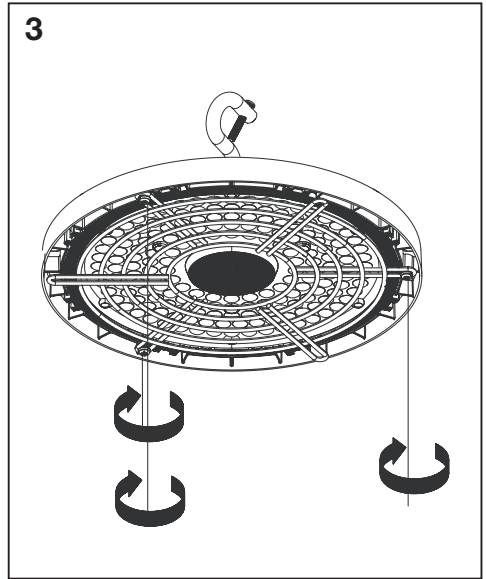
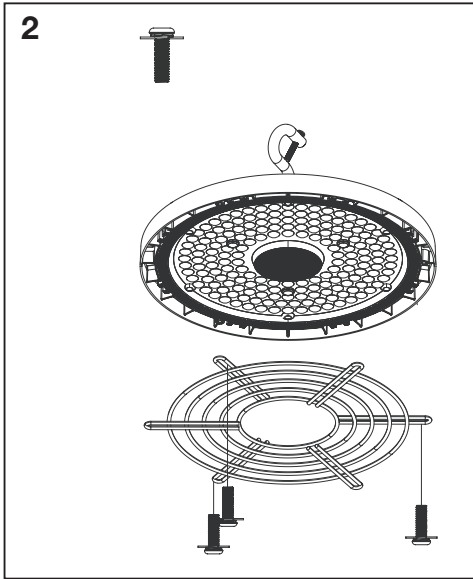




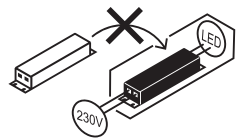


<table border="1"> <thead> <tr> <th>HB V 70W/95W/120W WIRE GUARD</th> <th>ø x h (mm)</th> <th></th> </tr> </thead> <tbody> <tr> <td>4099854328251</td> <td>239 x 8.8</td> <td>0,15kg</td> </tr> </tbody> </table>	HB V 70W/95W/120W WIRE GUARD	ø x h (mm)		4099854328251	239 x 8.8	0,15kg	<table border="1"> <thead> <tr> <th>HB V 145W WIRE GUARD</th> <th>ø x h (mm)</th> <th></th> </tr> </thead> <tbody> <tr> <td>4099854328275</td> <td>259 x 8.8</td> <td>0,19kg</td> </tr> </tbody> </table>	HB V 145W WIRE GUARD	ø x h (mm)		4099854328275	259 x 8.8	0,19kg	<table border="1"> <thead> <tr> <th>HB V 195W WIRE GUARD</th> <th>ø x h (mm)</th> <th></th> </tr> </thead> <tbody> <tr> <td>4099854328299</td> <td>285 x 8.8</td> <td>0,23kg</td> </tr> </tbody> </table>	HB V 195W WIRE GUARD	ø x h (mm)		4099854328299	285 x 8.8	0,23kg
HB V 70W/95W/120W WIRE GUARD	ø x h (mm)																			
4099854328251	239 x 8.8	0,15kg																		
HB V 145W WIRE GUARD	ø x h (mm)																			
4099854328275	259 x 8.8	0,19kg																		
HB V 195W WIRE GUARD	ø x h (mm)																			
4099854328299	285 x 8.8	0,23kg																		





n	B16A 	C10A 	C16A
HIGHBAY DALI V 70W	8	9	14
HIGHBAY DALI V 95W	8	9	14
HIGHBAY DALI V 120W	5	5	8
HIGHBAY DALI V 145W	4	4	7
HIGHBAY DALI V 195W	4	4	6



Raccolta Carta
Verifica le disposizioni
del tuo comune.



FR

Cet appareil,
ses accessoires
et son cordon,
se recyclent

À DÉPOSER
EN MAGASIN



À DÉPOSER
EN DÉCHÈTERIE



OU

Points de collecte sur www.quefairedemesdechets.fr



C10449057
G11228337

10.03.25

LEDVANCE SASU
CQM, 5 rue d'Altorf
67120 Molsheim France
www.ledvance.com

© LEDVANCE Ltd, Sterling House, 810
Mandarin Court, Warrington, Cheshire,
WA1 1GG, United Kingdom