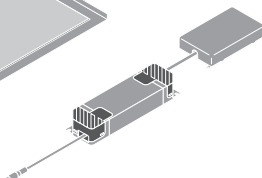
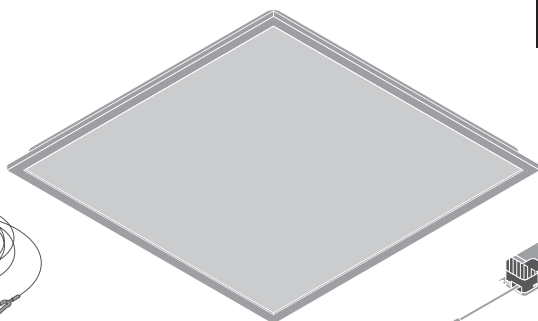
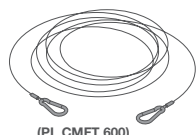


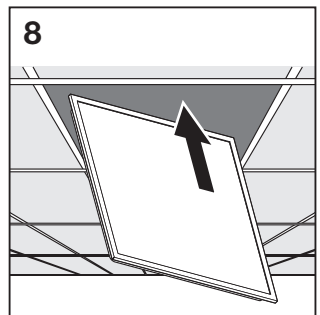
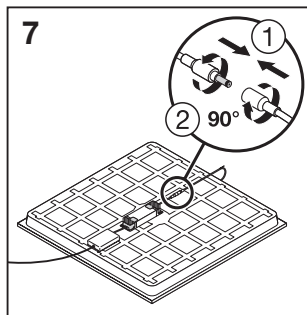
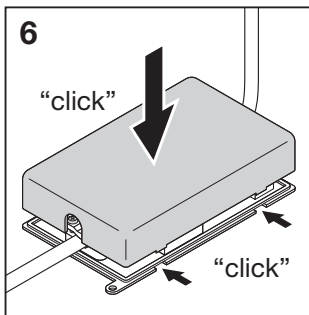
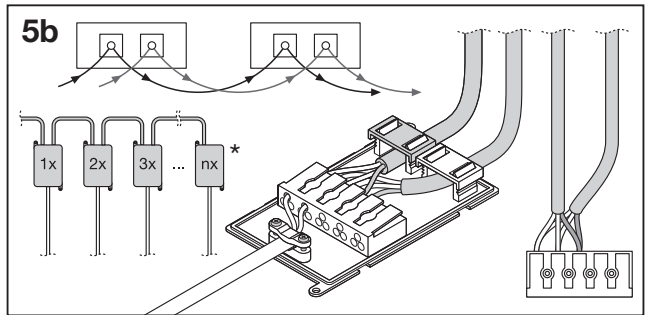
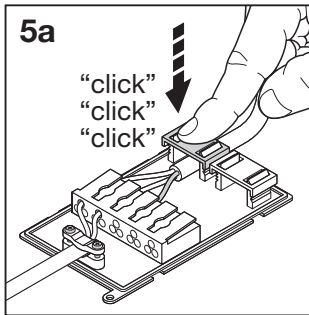
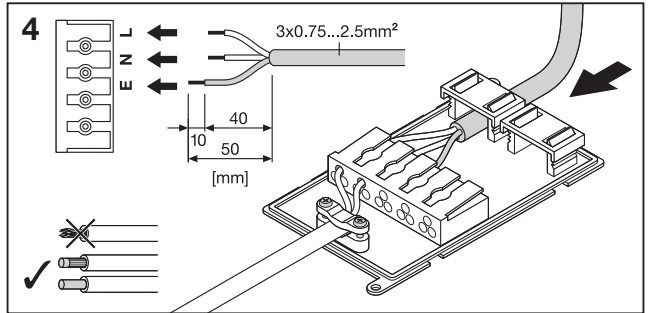
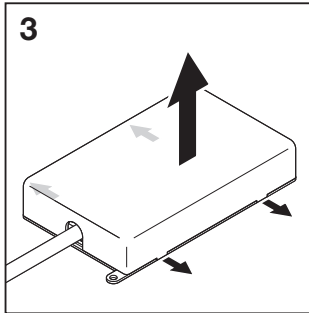
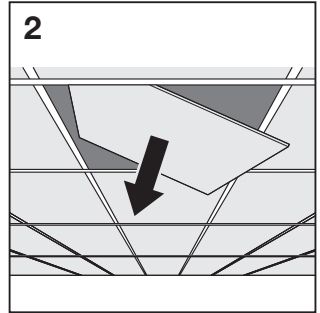
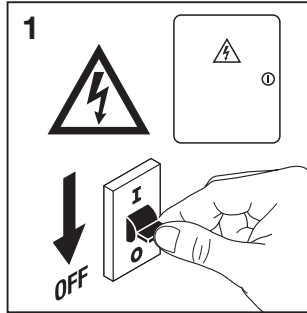
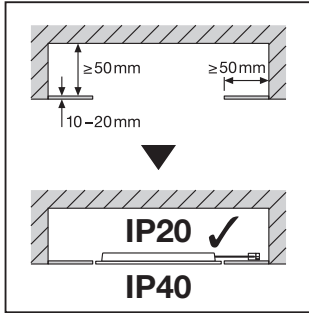
# PANEL COMFORT 600/625 ZB

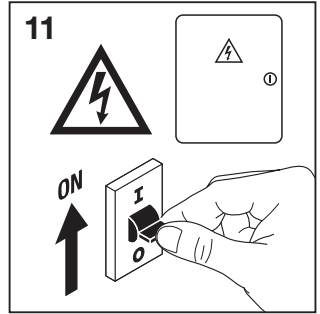
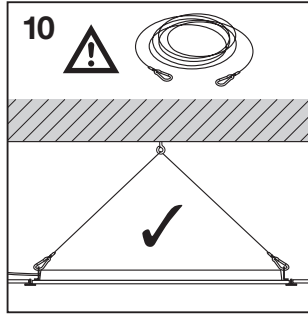
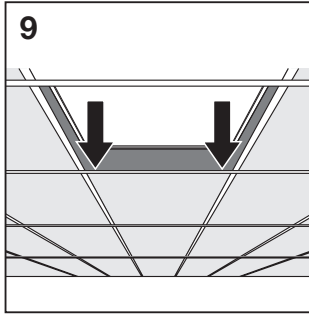
	EAN	l x w x h [mm]	W	EM W (230V DC)	VAC/DC	Hz	lm	lm/W	EM lm (230V DC)
PL CMFT 600 ZB P 28W 830	4099854513282	595 x 595 x 32	28	5	220-240V	0/50/60	3640	130	500
PL CMFT 600 ZB P 28W 830 U19	4099854513312	595 x 595 x 32	28	5	220-240V	0/50/60	3640	130	500
PL CMFT 600 ZB P 28W 840	4099854513336	595 x 595 x 32	28	5	220-240V	0/50/60	3640	130	500
PL CMFT 600 ZB P 28W 840 U19	4099854513350	595 x 595 x 32	28	5	220-240V	0/50/60	3640	130	500
PL CMFT 600 ZB P 33W 830	4099854513374	595 x 595 x 32	33	6	220-240V	0/50/60	4320	130	590
PL CMFT 600 ZB P 33W 840 U19	4099854513657	595 x 595 x 32	33	6	220-240V	0/50/60	4320	130	590
PL CMFT 600 ZB P 33W 840	4099854513695	595 x 595 x 32	33	6	220-240V	0/50/60	4320	130	590
PL CMFT 600 ZB P 33W 840 U19	4099854513718	595 x 595 x 32	33	6	220-240V	0/50/60	4320	130	590
PL CMFT 600 ZB P 33W 865	4099854513756	595 x 595 x 32	33	6	220-240V	0/50/60	4320	130	590
PL CMFT 600 ZB P 33W 865 U19	4099854513787	595 x 595 x 32	33	6	220-240V	0/50/60	4320	130	590
PL CMFT 625 ZB P 28W 830	4099854513824	620 x 620 x 32	28	5	220-240V	0/50/60	3640	130	500
PL CMFT 625 ZB P 28W 830 U19	4099854513862	620 x 620 x 32	28	5	220-240V	0/50/60	3640	130	500
PL CMFT 625 ZB P 28W 840	4099854513886	620 x 620 x 32	28	5	220-240V	0/50/60	3640	130	500
PL CMFT 625 ZB P 28W 840 U19	4099854513909	620 x 620 x 32	28	5	220-240V	0/50/60	3640	130	500
PL CMFT 625 ZB P 33W 830	4099854513930	620 x 620 x 32	33	6	220-240V	0/50/60	4320	130	590
PL CMFT 625 ZB P 33W 830 U19	4099854513961	620 x 620 x 32	33	6	220-240V	0/50/60	4320	130	590
PL CMFT 625 ZB P 33W 840	4099854513985	620 x 620 x 32	33	6	220-240V	0/50/60	4320	130	590
PL CMFT 625 ZB P 33W 840 U19	4099854514012	620 x 620 x 32	33	6	220-240V	0/50/60	4320	130	590
PL CMFT 625 ZB P 33W 865 U19	4099854514036	620 x 620 x 32	33	6	220-240V	0/50/60	4320	130	590

	EAN	K	IP	IK	∠	R <sub>a</sub>	°(°C)	PF	⊞
PL CMFT 600 ZB P 28W 830	4099854513282	3000	40/20	02	110°	> 80	-10...+50	> 0.9	1.7 kg
PL CMFT 600 ZB P 28W 830 U19	4099854513312	3000	40/20	02	90°	> 80	-10...+50	> 0.9	1.8 kg
PL CMFT 600 ZB P 28W 840	4099854513336	4000	40/20	02	110°	> 80	-10...+50	> 0.9	1.7 kg
PL CMFT 600 ZB P 28W 840 U19	4099854513350	4000	40/20	02	90°	> 80	-10...+50	> 0.9	1.8 kg
PL CMFT 600 ZB P 33W 830	4099854513374	3000	40/20	02	110°	> 80	-10...+50	> 0.9	1.7 kg
PL CMFT 600 ZB P 33W 830 U19	4099854513657	3000	40/20	02	90°	> 80	-10...+50	> 0.9	1.8 kg
PL CMFT 600 ZB P 33W 840	4099854513695	4000	40/20	02	110°	> 80	-10...+50	> 0.9	1.7 kg
PL CMFT 600 ZB P 33W 840 U19	4099854513718	4000	40/20	02	90°	> 80	-10...+50	> 0.9	1.8 kg
PL CMFT 600 ZB P 33W 865	4099854513756	6500	40/20	02	110°	> 80	-10...+50	> 0.9	1.7 kg
PL CMFT 600 ZB P 33W 865 U19	4099854513787	6500	40/20	02	90°	> 80	-10...+50	> 0.9	1.8 kg
PL CMFT 625 ZB P 28W 830	4099854513824	3000	40/20	02	110°	> 80	-10...+50	> 0.9	2.0 kg
PL CMFT 625 ZB P 28W 830 U19	4099854513862	3000	40/20	02	90°	> 80	-10...+50	> 0.9	2.0 kg
PL CMFT 625 ZB P 28W 840	4099854513886	4000	40/20	02	110°	> 80	-10...+50	> 0.9	2.0 kg
PL CMFT 625 ZB P 28W 840 U19	4099854513909	4000	40/20	02	90°	> 80	-10...+50	> 0.9	2.0 kg
PL CMFT 625 ZB P 33W 830	4099854513930	3000	40/20	02	110°	> 80	-10...+50	> 0.9	2.1 kg
PL CMFT 625 ZB P 33W 830 U19	4099854513961	3000	40/20	02	90°	> 80	-10...+50	> 0.9	2.0 kg
PL CMFT 625 ZB P 33W 840	4099854513985	4000	40/20	02	110°	> 80	-10...+50	> 0.9	2.1 kg
PL CMFT 625 ZB P 33W 840 U19	4099854514012	4000	40/20	02	90°	> 80	-10...+50	> 0.9	2.0 kg
PL CMFT 625 ZB P 33W 865 U19	4099854514036	6500	40/20	02	90°	> 80	-10...+50	> 0.9	2.2 kg

# PANEL COMFORT 600/625 ZB



# PANEL COMFORT 600/625 ZB



**SUSPENSION KIT**  
**EAN 4058075402928**

**RECESSED MOUNT CLIPS VALUE**  
**EAN 4058075409859**

4x 8x 8x

Panel 600: 575mm  
 Panel 625: 580mm

Panel 600: 575mm  
 Panel 625: 600mm

~3.5mm  
 ~4.2mm  
 ~8.8mm  
 ~10.3mm

① ② ③ ④

PL 600 SURFACE MOUNT KIT H75  
**EAN 4058075472914 (white)**  
**EAN 4058075834330 (black)**

PL 625 SURFACE MOUNT KIT H75  
**EAN 4058075402938 (white)**  
**EAN 4058075834354 (black)**

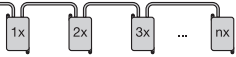

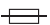



PL 600 SURFACE MOUNT KIT H70 VAL  
**EAN 4058075402843**

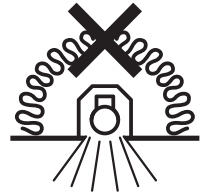
PL 625 SURFACE MOUNT KIT H70 VAL  
**EAN 4058075402867**

PL 600 RECESSED MOUNT FRAME  
**EAN 4058075402881**

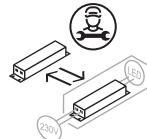
PL 625 RECESSED MOUNT FRAME  
**EAN 4058075402904**

\*

	C10A 	B16A 	C16A 	ZB	I <sub>Out</sub> [mA]	ZB DIM 
PL CMFT 600 ZB P 28W	n=34	n=55	n=55	DR ZB NF P 45W 220-240V 1A2	620	
PL CMFT 625 ZB P 28W					730	
PL CMFT 600 ZB P 33W						
PL CMFT 625 ZB P 33W						



**PAP**  
Raccolla Carta  
Verifica le disposizioni  
del tuo comune.



**FR**  
Cet appareil et  
ses accessoires  
se recyclent

À DÉPOSER  
EN MAGASIN

À DÉPOSER  
EN DÉCHÈTERIE

OU

Points de collecte sur [www.quefairedemesdechets.fr](http://www.quefairedemesdechets.fr)



**LEDVANCE SASU**  
CQM, 5 rue d'Altorf  
67120 Molsheim France  
[www.ledvance.com](http://www.ledvance.com)

C10449057  
G11230686

14.07.25

© LEDVANCE Ltd, Sterling House,  
810 Mandarin Court, Warrington,  
Cheshire, WA1 1GG, United Kingdom