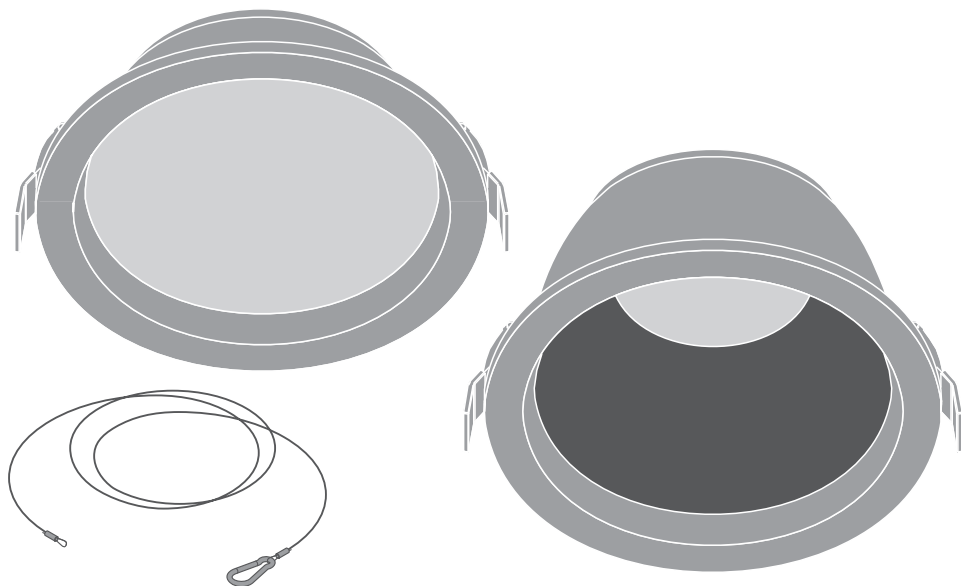


DOWNLIGHT COMFORT ZB OPAL

DOWNLIGHT COMFORT ZB UGR

LEDVANCE

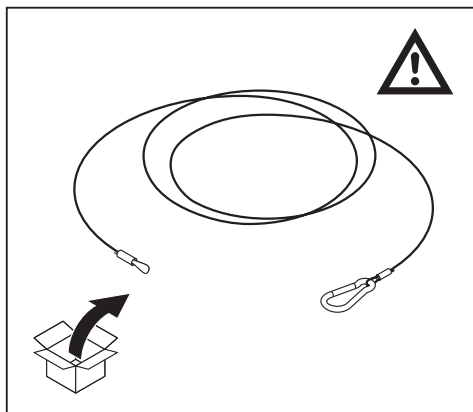
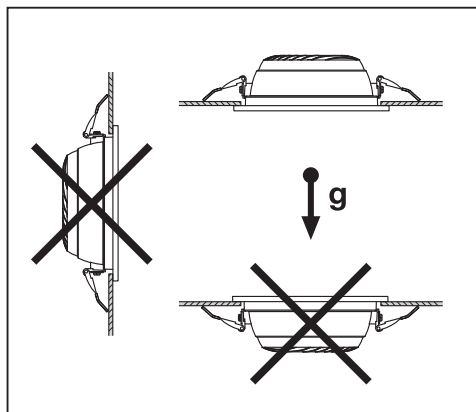


	EAN	Ø x h [mm]	W	V _{AC/DC}	Hz	☑ Ø [mm]
DL CMFT ZB D100 P 13W 93040 OP WT	4099854620119	116 x 48	13W	220-240V	0/50/60 Hz	100
DL CMFT ZB D150 P 18W 93040 OP WT	4099854620157	160 x 57.1	18W	220-240V	0/50/60 Hz	150
DL CMFT ZB D200 P 30W 93040 OP WT	4099854620232	215 x 60.3	30W	220-240V	0/50/60 Hz	200
DL CMFT ZB D250 P 42W 93040 OP WT	4099854620355	265 x 60.3	42W	220-240V	0/50/60 Hz	250
DL CMFT ZB D100 P 13W 93040 U19 WT	4099854620379	116 x 65.2	13W	220-240V	0/50/60 Hz	100
DL CMFT ZB D150 P 18W 93040 U19 WT	4099854620393	160 x 91.8	18W	220-240V	0/50/60 Hz	150
DL CMFT ZB D200 P 30W 93040 U19 WT	4099854620416	215 x 116.8	30W	220-240V	0/50/60 Hz	200
DL CMFT ZB D250 P 42W 93040 U19 WT	4099854620430	265 x 124.1	42W	220-240V	0/50/60 Hz	250

	EAN	IP	IK	◊	R _a	🌡️ (°C)	PF	👤
DL CMFT ZB D100 P 13W 93040 OP WT	4099854620119	44 / 20	03	95°	> 90	-20...+40	> 0.9	0.3 kg
DL CMFT ZB D150 P 18W 93040 OP WT	4099854620157	44 / 20	03	95°	> 90	-20...+40	> 0.9	0.4 kg
DL CMFT ZB D200 P 30W 93040 OP WT	4099854620232	44 / 20	03	100°	> 90	-20...+40	> 0.9	0.6 kg
DL CMFT ZB D250 P 42W 93040 OP WT	4099854620355	44 / 20	03	100°	> 90	-20...+40	> 0.9	0.8 kg
DL CMFT ZB D100 P 13W 93040 U19 WT	4099854620379	44 / 20	03	55°	> 90	-20...+40	> 0.9	0.3 kg
DL CMFT ZB D150 P 18W 93040 U19 WT	4099854620393	44 / 20	03	55°	> 90	-20...+40	> 0.9	0.5 kg
DL CMFT ZB D200 P 30W 93040 U19 WT	4099854620416	44 / 20	03	55°	> 90	-20...+40	> 0.9	0.7 kg
DL CMFT ZB D250 P 42W 93040 U19 WT	4099854620430	44 / 20	03	60°	> 90	-20...+40	> 0.9	0.8 kg

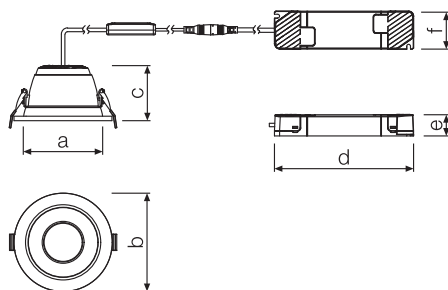
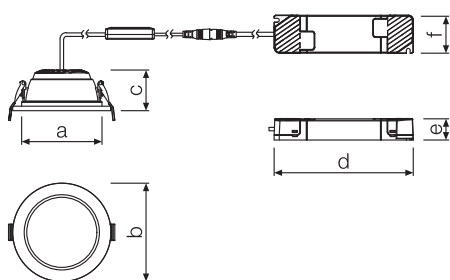
DOWNLIGHT COMFORT ZB OPAL


DOWNLIGHT COMFORT ZB UGR



OPAL ZIGBEE

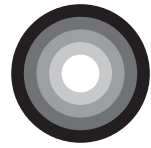
UGR ZIGBEE



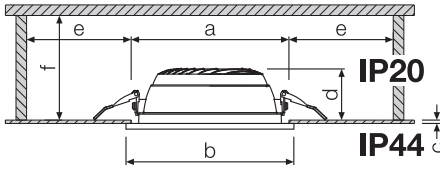
	 [a]	b	c	d	e	f
DL CMFT ZB D100 P 13W 93040 OP WT	ø100mm	ø116mm	48mm	178mm	25mm	45mm
DL CMFT ZB D150 P 18W 93040 OP WT	ø150mm	ø160mm	57mm	178mm	25mm	45mm
DL CMFT ZB D200 P 30W 93040 OP WT	ø200mm	ø215mm	59mm	178mm	25mm	45mm
DL CMFT ZB D250 P 42W 93040 OP WT	ø250mm	ø265mm	60mm	178mm	25mm	45mm
DL CMFT ZB D100 P 13W 93040 U19 WT	ø100mm	ø116mm	65mm	178mm	25mm	45mm
DL CMFT ZB D150 P 18W 93040 U19 WT	ø150mm	ø160mm	92mm	178mm	25mm	45mm
DL CMFT ZB D200 P 30W 93040 U19 WT	ø200mm	ø215mm	117mm	178mm	25mm	45mm
DL CMFT ZB D250 P 42W 93040 U19 WT	ø250mm	ø265mm	124mm	178mm	25mm	45mm

DOWNLIGHT COMFORT ZB OPAL

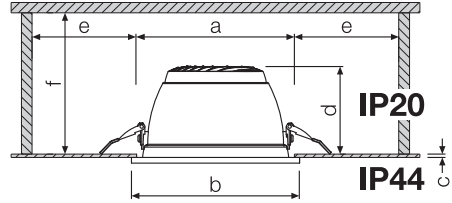
DOWNLIGHT COMFORT ZB UGR




OPAL ZIGBEE



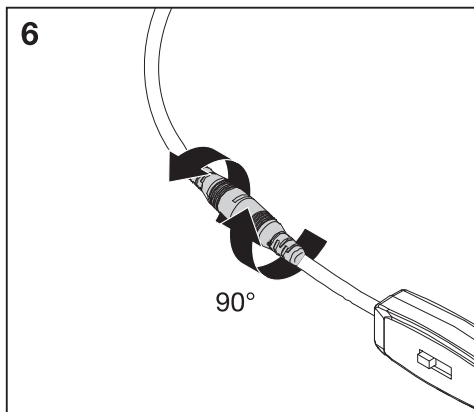
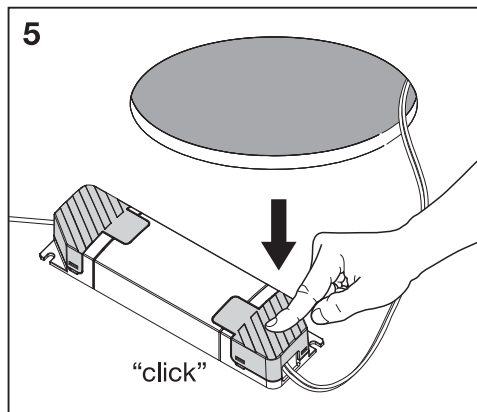
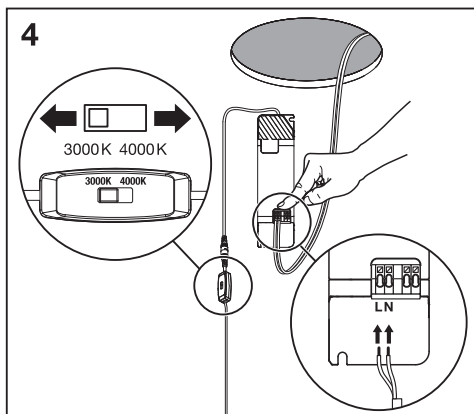
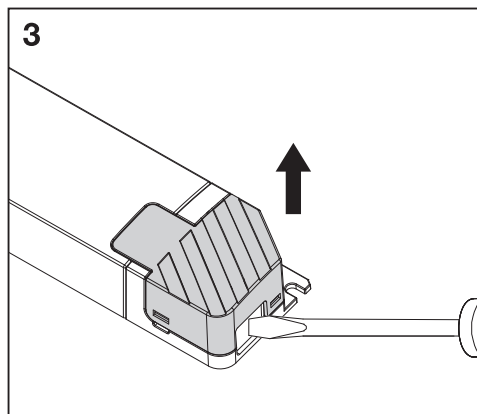
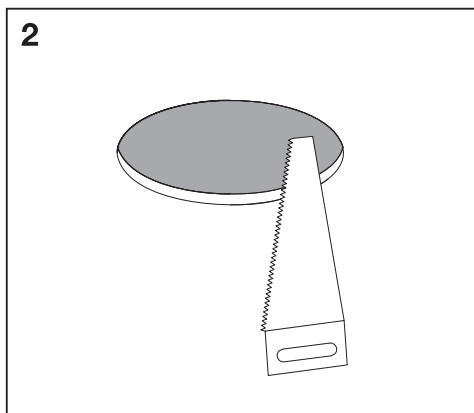
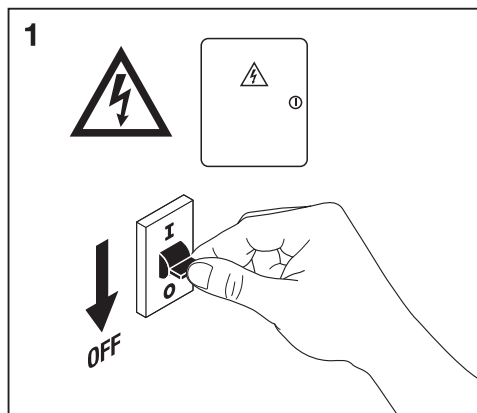
UGR ZIGBEE



	 [a]	b	c	d	e	f
DL CMFT ZB D100 P 13W 93040 OP WT	ø100 mm	ø116 mm	5-25 mm	43 mm	≥400 mm	≥93 mm
DL CMFT ZB D150 P 18W 93040 OP WT	ø150 mm	ø160 mm	5-25 mm	52 mm	≥400 mm	≥102 mm
DL CMFT ZB D200 P 30W 93040 OP WT	ø200 mm	ø215 mm	5-35 mm	54 mm	≥400 mm	≥104 mm
DL CMFT ZB D250 P 42W 93040 OP WT	ø250 mm	ø265 mm	5-35 mm	55 mm	≥400 mm	≥105 mm
DL CMFT ZB D100 P 13W 93040 U19 WT	ø100 mm	ø116 mm	5-25 mm	60 mm	≥400 mm	≥110 mm
DL CMFT ZB D150 P 18W 93040 U19 WT	ø150 mm	ø160 mm	5-25 mm	87 mm	≥400 mm	≥137 mm
DL CMFT ZB D200 P 30W 93040 U19 WT	ø200 mm	ø215 mm	5-35 mm	112 mm	≥400 mm	≥162 mm
DL CMFT ZB D250 P 42W 93040 U19 WT	ø250 mm	ø265 mm	5-35 mm	120 mm	≥400 mm	≥169 mm

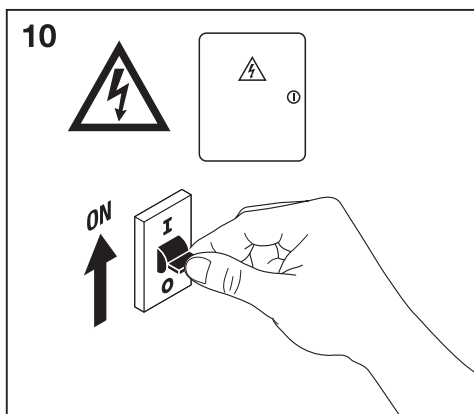
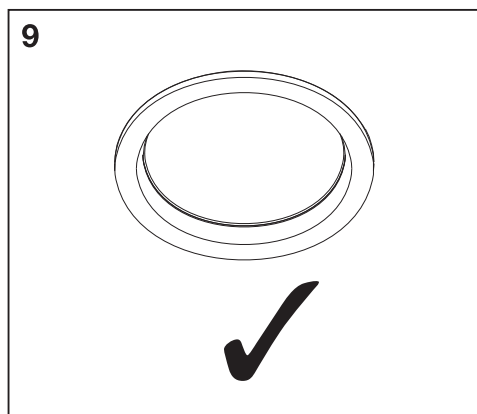
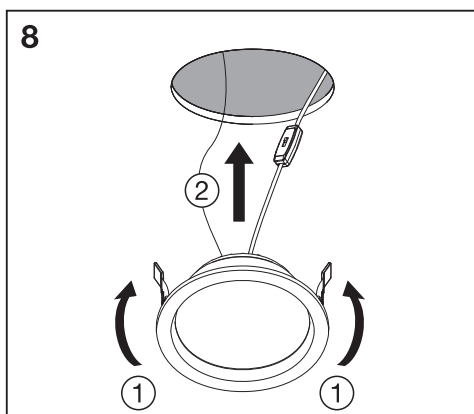
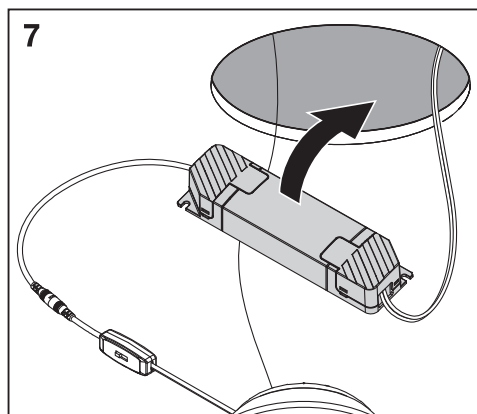
DOWNLIGHT COMFORT ZB OPAL

DOWNLIGHT COMFORT ZB UGR



DOWNLIGHT COMFORT ZB OPAL

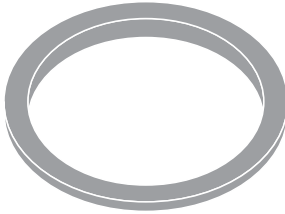
DOWNLIGHT COMFORT ZB UGR




	EAN	Ø x h [mm]	
DL CMFT FRAME D100 WT	4099854499906	116 x 120	0.4 kg
DL CMFT FRAME D150 WT	4099854499968	160 x 150	0.6 kg
DL CMFT FRAME D200 WT	4099854500022	215 x 184	1.1 kg
DL CMFT FRAME D250 WT	4099854500145	265 x 190	1.6 kg
DL CMFT FRAME D100 BK	4099854499920	116 x 120	0.4 kg
DL CMFT FRAME D150 BK	4099854499982	160 x 150	0.6 kg
DL CMFT FRAME D200 BK	4099854500046	215 x 184	1.1 kg
DL CMFT FRAME D250 BK	4099854500169	265 x 190	1.6 kg
DL CMFT FRAME D100 GY	4099854499944	116 x 120	0.4 kg
DL CMFT FRAME D150 GY	4099854500008	160 x 150	0.6 kg
DL CMFT FRAME D200 GY	4099854500060	215 x 184	1.1 kg
DL CMFT FRAME D250 GY	4099854500183	265 x 190	1.6 kg

DOWNLIGHT COMFORT ZB OPAL

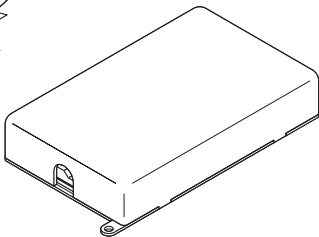
DOWNLIGHT COMFORT ZB UGR



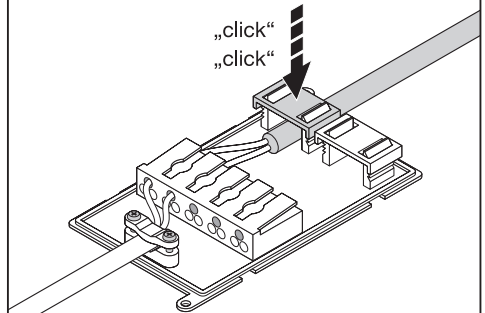
	EAN	Ø x h [mm]	
DL CMFT EXCH RING D100 BK	4099854515286	116x8.0	0.03 kg
DL CMFT EXCH RING D150 BK	4099854515316	160x12.4	0.05 kg
DL CMFT EXCH RING D200 BK	4099854515347	215x12.4	0.09 kg
DL CMFT EXCH RING D250 BK	4099854515378	265x12.4	0.1 kg
DL CMFT EXCH RING D100 GY	4099854515408	116x8.0	0.03 kg
DL CMFT EXCH RING D150 GY	4099854515439	160x12.4	0.05 kg
DL CMFT EXCH RING D200 GY	4099854515460	215x12.4	0.09 kg
DL CMFT EXCH RING D250 GY	4099854515491	265x12.4	0.1 kg

CONNECTOR BOX 5 POLE

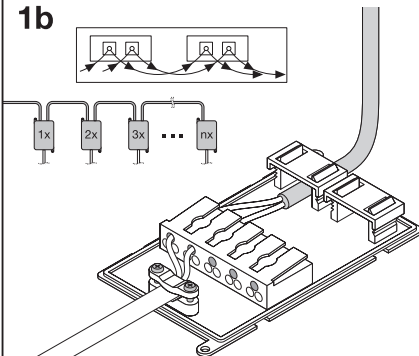
EAN 4058075473010



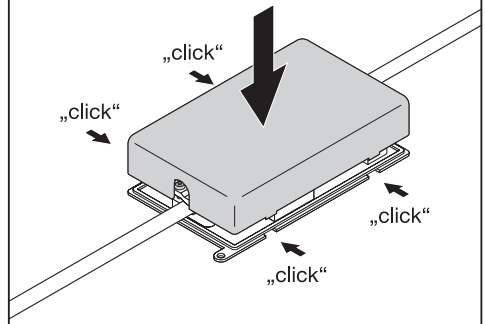
1a



1b

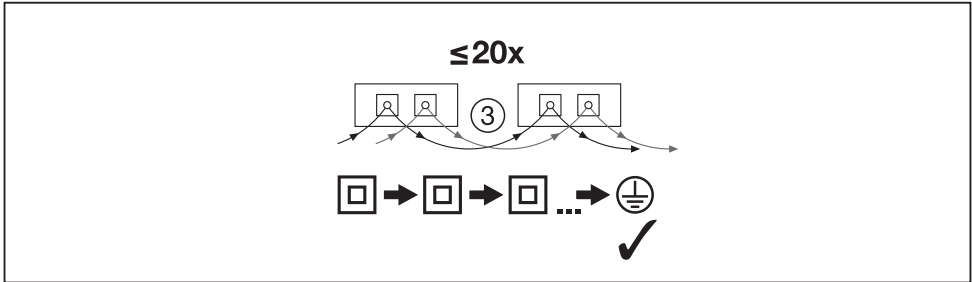
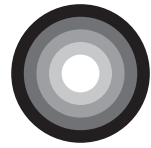


2



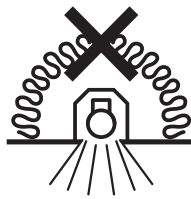
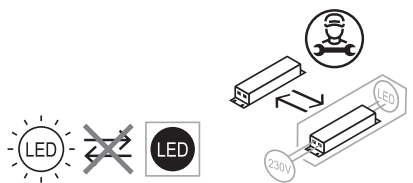
DOWNLIGHT COMFORT ZB OPAL

DOWNLIGHT COMFORT ZB UGR



	C16 	B16 	C10
DL CMFT ZB D100 P 13W 93040 OP WT	n=38	n=30	n=24
DL CMFT ZB D150 P 18W 93040 OP WT			
DL CMFT ZB D200 P 30W 93040 OP WT	n=20	n=14	n=12
DL CMFT ZB D250 P 42W 93040 OP WT	n=19		
DL CMFT ZB D100 P 13W 93040 U19 WT	n=38	n=30	n=24
DL CMFT ZB D150 P 18W 93040 U19 WT			
DL CMFT ZB D200 P 30W 93040 U19 WT	n=20	n=14	n=12
DL CMFT ZB D250 P 42W 93040 U19 WT	n=19		

	ZB	I_{out} (mA)	ZB DIM
DL CMFT ZB D100 P 13W 93040 OP WT	DR ZB NF P 30 220-240V 0A7	400 mA	
DL CMFT ZB D150 P 18W 93040 OP WT		450 mA	
DL CMFT ZB D200 P 30W 93040 OP WT		750 mA	
DL CMFT ZB D250 P 42W 93040 OP WT	DR ZB NFC P 45W 220-240V 1A2	1050 mA	
DL CMFT ZB D100 P 13W 93040 U19 WT	DR ZB NF P 30 220-240V 0A7	400 mA	
DL CMFT ZB D150 P 18W 93040 U19 WT		450 mA	
DL CMFT ZB D200 P 30W 93040 U19 WT		750 mA	
DL CMFT ZB D250 P 42W 93040 U19 WT	DR ZB NFC P 45W 220-240V 1A2	1050 mA	



Points de collecte sur www.quefairedemesdechets.fr

C10449058
G11249410

13.08.25



LEDVANCE SASU
CQM, 5 rue d'Altorf
67120 Molsheim France
www.ledvance.com

© LEDVANCE Ltd, Sterling House,
810 Mandarin Court, Warrington,
Cheshire, WA1 1GG, United Kingdom