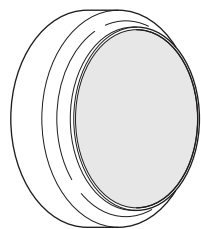
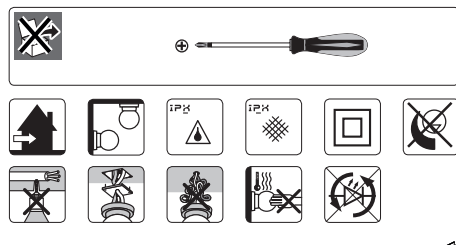
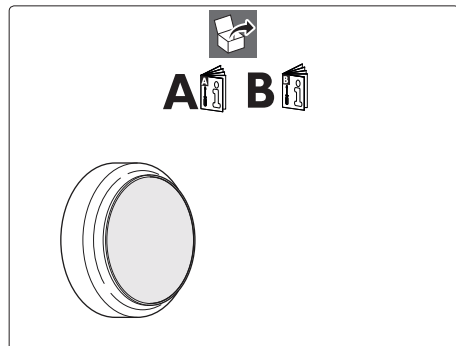


**PILA**  
Pila  
Wall-mounted  
WL007 C



Gebruiksaanwijzing  
Notice d'emploi  
Benutzerhandbuch  
User manual  
Manual de usuario

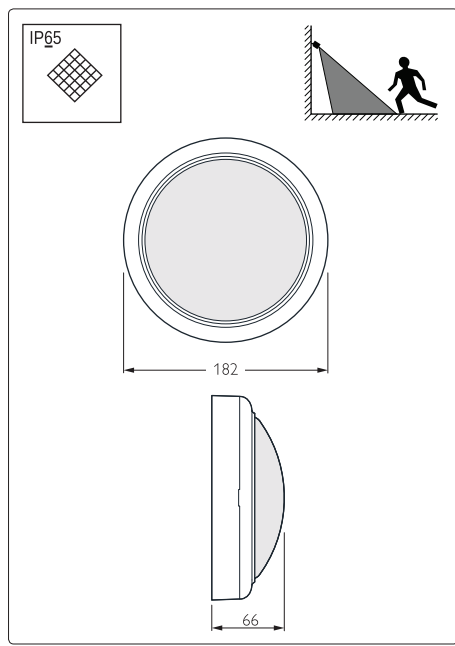
**A**



PILA  
I.B.R.S. / C.C.R.I. Numéro 10461  
5600 VB Eindhoven, the Netherlands

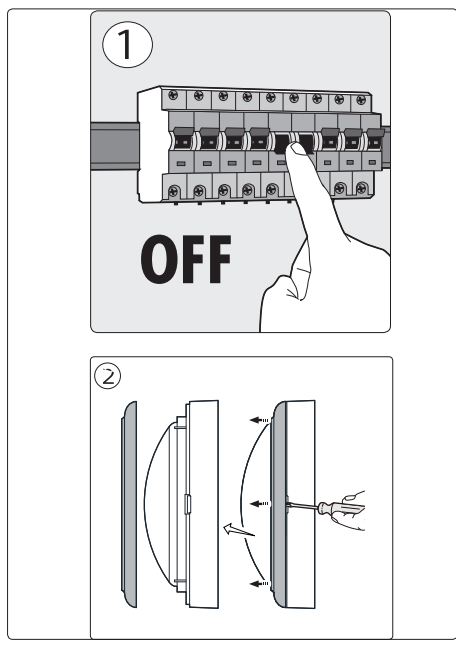
**B**

	CCT (K)	P (W)	IP..	Energy efficiency class	
PILA WL007C G2 135/840 PSU RND MDU WH	4000	15	65	E	0.28

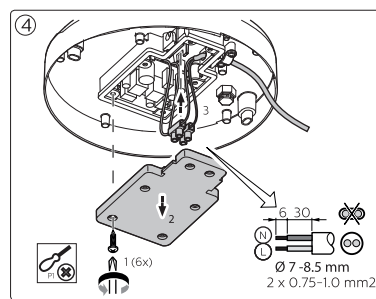
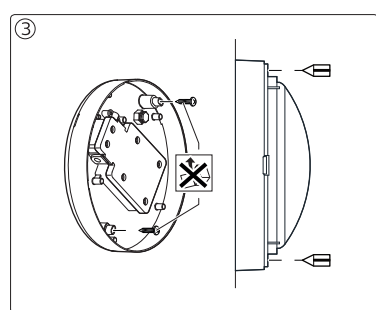


3

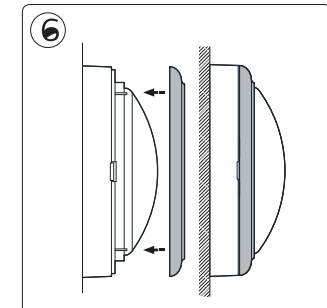
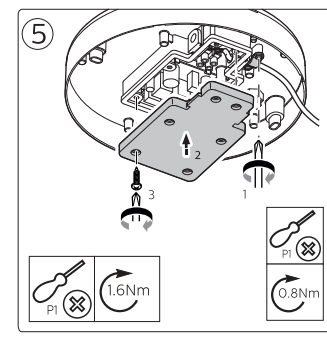
1/4



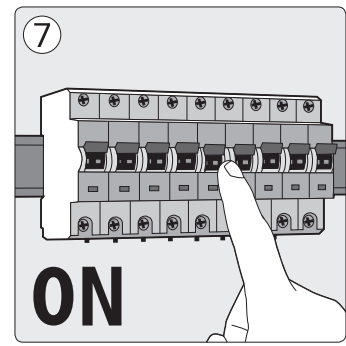
4



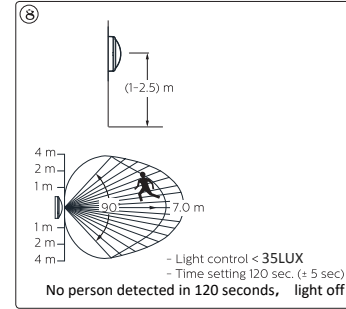
5



6



7



The luminaire shall be installed by a qualified electrician and wired in accordance with the latest I.E. electrical regulations or the national requirements.  
- The light source of this luminaire is not replaceable; when the light source  
- Avoid placing microwave sensor near large metal surfaces, ventilation ducts, pipes and/or other moving objects.  
- For outdoor operation at a building, vertical wall-mounted only; all its cables shall run indoor, with a maximum distance of 10 meter.  
- For outdoor operation the luminaire can only be used in the aisle or semi-shaded environment or the environment blocked by glass, and it is not recommended to use it directly exposed to direct sunlight!



ATTENTION  
OBSERVE PRECAUTIONS  
FOR HANDLING  
ELECTROSTATIC  
SENSITIVE  
DEVICES

2/4

8