





**INTRODUCTION**

Thank you for your trust and for choosing Qoltec code lock. We are confident that the product will satisfy your expectations. This manual will guide you through the installation and use of the product includes important safety instructions for proper operation and installation. After reading this manual, don't hesitate to get in touch with our Customer Service Department if you have any questions.

**1. Packing List**

NAME	QUANTITY	REMARKS
Keypad	1	
User manual	1	
Screw driver	1	Φ20mm×60mm, Special for keypad
Rubber plug	2	Φ6mm×30 mm, used for fixing
Self tapping screws	2	Φ4mm×28 mm, used for fixing
Star screws	1	Φ3mm×6mm, used for fixing

Please ensure that all the above contents are correct. If any are missing please notify the supplier of the unit.

**2. Quick Reference Programming Guide**

To enter the programming mode	[Master Code] #
To exit from the programming mode	#
<b>Note: that to undertake the following programming the master user must be logged</b>	
To change the master code	[0] New code   New code #
The master code can be 6 to 8 digits	
To add a PIN user.	[1] User ID number   PIN   #
The ID number is any number between 1 & 2000. The PIN is any four digits between 0000 & 9999 with the exception of 1234, which is reserved. Users can be added continuously without exiting programming mode	
To add a card user	[1] Read Card   #
Cards can be added continuously without exiting programming mode	

To delete a PIN or a card user.	[2] User ID number   #
for a PIN user or	
[2] Read Card   #	
for a card user	
Users can be deleted continuously without exiting programming mode	
To unlock the door for a PIN user	Enter the PIN then press #
To unlock the door for a card user	Present the card

**3. Description**

The unit is single door multifunction standalone access controller or a Wiegand output keypad or card reader. It is suitable for mounting either indoor or outdoor in harsh environments. It is housed in a strong, sturdy and vandal proof Zinc Alloy electroplated case which is available in either a bright silver or matt silver finish. The electronics are fully potted so the unit is. This unit supports up to 2000 users in either a Card, 4 digit PIN, or a Card + PIN option. The inbuilt card reader supports 125kHz EM card. The unit has many extra features including lock output current short circuit protection, Wiegand output, and a backlit keypad. These features make the unit an ideal choice for door access not only for small shops and domestic households but also for commercial and industrial applications.

**4. Features**

- Strong Zinc Alloy Electroplated anti-vandal case
- Full programming from the keypad
- 2000 uses, supports Card, PIN, Card + PIN
- Can be used as a stand alone keypad
- Backlight keys
- Wiegand 26 input for connection to external reader
- Wiegand 26 output for connection to a controller
- Adjustable Door Output time, Alarm time, Door Open time
- Lock output current short circuit protection
- Easy to install and program
- Built in light dependent resistor (LDR) for anti tamper
- Built in buzzer
- Red, Yellow and Green LEDs display the working status

**5. Specifications**

Operating Voltage	DC12-24V
User Capacity	2000
Card Reading Distance	3-6 cm
Active Current	<60mA
Lock Output Load	max 3A
Alarm Output Load	max 20A
Operating Temperature	-40°C - 60°C
Operating Humidity	10% - 90% RH
Adjustable Door Relay time	0-99 seconds
Adjustable Alarm Time	0-3 minutes
Wiegand interface	Wiegand 26 bit
Wiring Connectors	Electric Lock, Exit Button, External Alarm, External reader
Type	EM
Type of transmission	RFID
Degree of protection	IP68
Frequency	125kHz

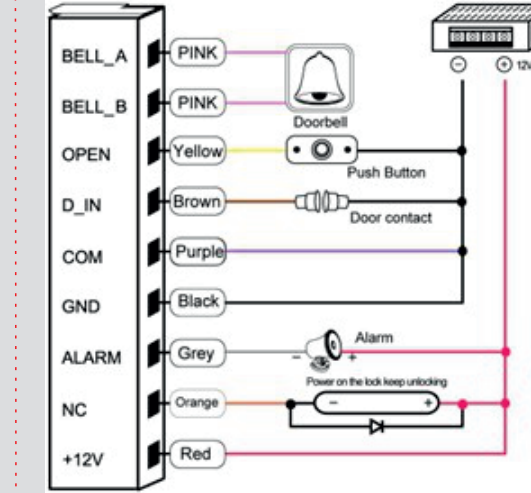
**6. Installation**

- Remove the back cover from the keypad using the supplied special screw driver
- Drill 2 holes on the wall for the Self tapping screws and 1 hole for the cable
- Put the supplied rubber bungs into the two holes
- Fix the back cover firmly on the wall with 2 Self tapping screws
- Thread the cable through the cable hole
- Attach the keypad to the back cover

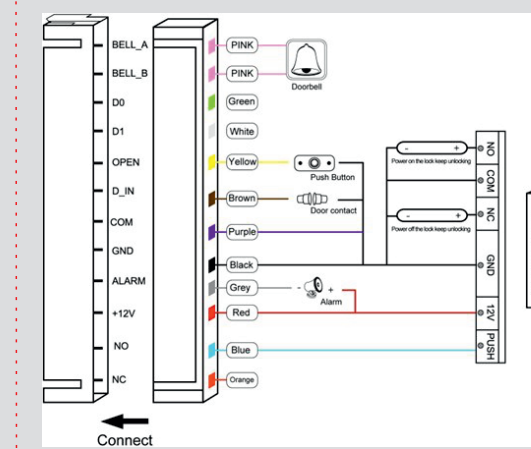
**7. Wiring**

COLOUR	FUNCTION	DESCRIPTION
Pink	BELL_A	Doorbell button one end
Pale blue	BELL_B	Doorbell button to the other end
Green	DO	WG output DO
White	D1	WG output D1
Grey	ALARM	Alarm negative (alarm positive connected 12 V)
Yellow	OPEN	Magnetic switch one end the other end connected GND
Brown	D_IN	Zamek magnetyczny/zwijensky kabel (the other end connected GND)
Red	12V+	12V + DC Regulated Power Input
Black	GND	12V - DC Regulated Power Input
Blue	NO	Relay normally-on end (Connect positive electric lock "-")
Purple	COM	Relay Public end, connect GND
Orange	NC	Relay Closed end/connect negative electric lock "-")

**Common power supply diagram**



**Special power supply diagram:**



**8. To Reset to Factory Default**

- a. Disconnect power from the unit
  - b. Press and hold # key whilst powering the unit back up
  - c. On hearing two "DI" release # key, system is now back factory settings
- Please note only installer data is restored, user data will not be affected

**9. Anti Tamper Alarm**

The unit uses a LDR (light dependent resistor) as an anti tamper alarm. If the keypad is removed from the cover then the tamper alarm will operate.

**10. Sound and Light indication**

OPERATION STATUS	RED LIGHT	GREEN LIGHT	YELLOW LIGHT	BUZZER
Power on	-	bright	-	beep
Stand by	bright	-	-	-
Press keypad	-	-	-	beep
Operation successful	-	bright	-	beep
Operation failed	-	-	-	beep, beep, beep
Enter into programming mode	bright	-	-	-
In the programming mode	-	-	bright	beep
Exit from the programming mode	bright	-	-	beep
Open the door	-	bright	-	beep
Alarm	bright	-	-	Alarm

**11. Detailed Programming Guide**

To enter the programming mode	[Master code] #
999999 is the default factory master code	
To exit from the programming mode	#
<b>Note that to undertake the following programming the master user must be logged</b>	
To change the master code	[0] New code   New code #
The master code can be 6 to 8 digits long	
Setting the working mode:	
Set valid card only users	[3] [0] # Entry is by card only
Set valid card and PIN users	[3] [1] # Entry is by card and PIN together
Set valid card or PIN users	[3] [2] # Entry is by either card or PIN (default)
To add a user in either card or PIN mode	[3] [2] #

To add a Pin user	[1] User ID number   PIN   #
The ID number is any number between 1 & 2000. The PIN is any four digits between 0000 & 9999 with the exception of 1234 which is reserved. Users can be added continuously without exiting programming mode as follows:	
[1] User ID no 1   PIN   User ID no 2   PIN   #	
To delete a PIN user	[2] User ID number   #
Users can be deleted continuously without exiting programming mode	
To change the PIN of a PIN user (This step must be done outside of programming mode)	[1] ID number   Old PIN   New PIN   New PIN #
To add a card user (Method 1) This is the fastest way to enter cards, user ID number auto generation	[1] Read Card   #
Cards can be added continuously without exiting programming mode	
To add a card user (Method 2) This is the alternative way to enter cards using User ID Allocation. In this method a User ID is allocated to a card. Only one user ID can be allocated to a single card.	[1] ID number   Read card   #
User can be added continuously without exiting programming mode	
To add a card user (Method 3) Card number is the last 8 digits printed on the back of the card, user ID number auto generation	[1] Card number   #
User can be added continuously without exiting programming mode	
To add a card user (Method 4) In this method a User ID is allocated to a card number. Only one user ID can be allocated to the card number	[1] ID number   Card number   #
User can be added continuously without exiting programming mode	
To delete a card user by card. Note users can be deleted continuously without exiting programming mode	[2] Read card   #
To delete a card user by user ID. This option can be used when a user has lost their card	[2] User ID   #
To delete a card user by card number. This option can be used when the user wants to make the change but the card has lost	[2] Card number   #
Note users can be deleted continuously without exiting programming mode	

To add a card and PIN user in card and PIN mode	[3] [1] #
Add the card as for a card user	
Press # to exit from the programming mode	
Then allocate the card a PIN as follows	
[3] Read card   1234#   PIN#   PIN#   #	
To change a PIN in card and PIN mode (Method 1) Note that this is done outside programming mode so the user can undertake this themselves	[1] ID number   Old PIN   New PIN   New PIN #
To change a PIN in card and PIN mode (Method 2) Note that this is done outside programming mode so the user can undertake this themselves	[1] ID number   Old PIN   New PIN   New PIN #
To delete a Card and PIN user just delete the card	[2] User ID   #
To add a card user in card mode	[3] [0] #
To Add and Delete a card user The operating is the same as adding and deleting a card user in	[3] [2] #
To delete all users	
To delete ALL users. Note that this is a dangerous option so use with care	[2] 0000   #
To unlock the door	Enter the PIN, then press #
For a PIN user	[Read card]
For a card and PIN user	[Read card] then enter PIN #
<b>Door Settings</b>	
Relay Output Delay Time	
To set door relay strike time	[Master code] # [A] [0-99] # #
0-99 is to set the door relay time 0-99 seconds	
Door Open Detection	
Door Open Too Long (DOTL) warning. When used with an optional magnetic contact or built-in magnetic contact of the lock, if the door is opened normally, but not closed after 1 minute, the inside buzzer will beep automatically to remind people to close the door and continue for 1 minute before switching off automatically.	
Door Forced Open warning. When used with an optional magnetic contact or built-in magnetic contact of the lock, if the door is forced open, or if the door is opened after 20 seconds, the inside buzzer and alarm output will both operate. The Alarm Output time is adjustable between 0-3 minutes with the default being 1 minute	
To disable door open detection (Factory default)	[6] [0] #

