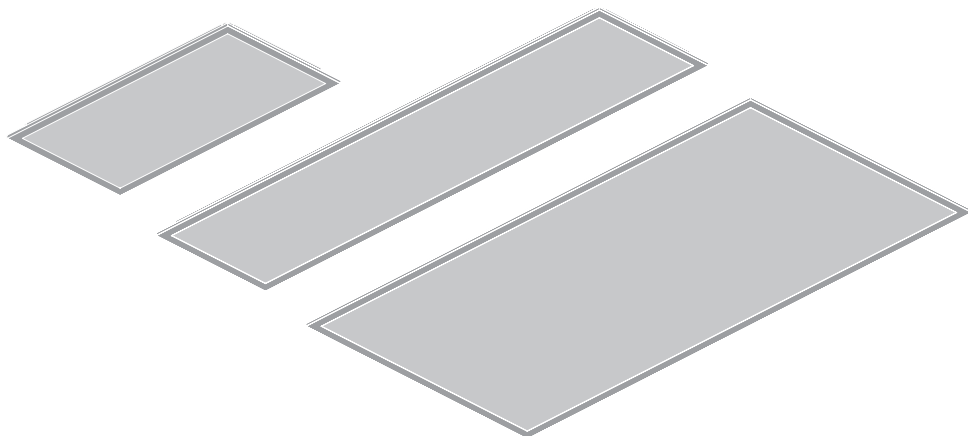
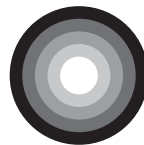


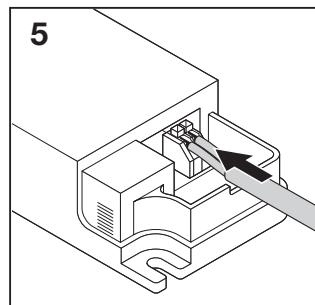
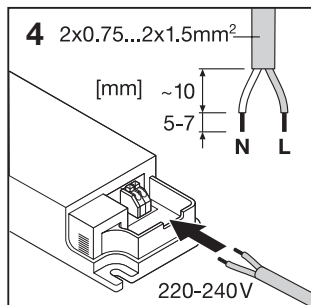
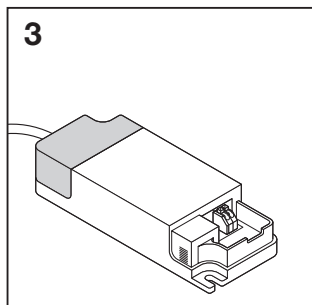
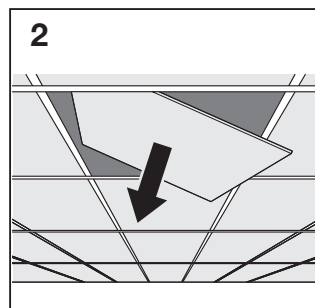
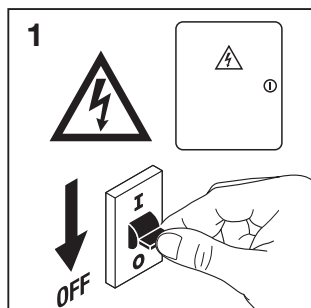
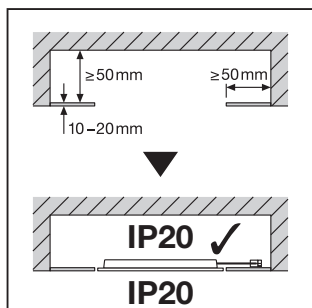
PANEL ECO HLO

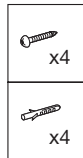
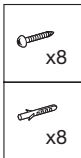
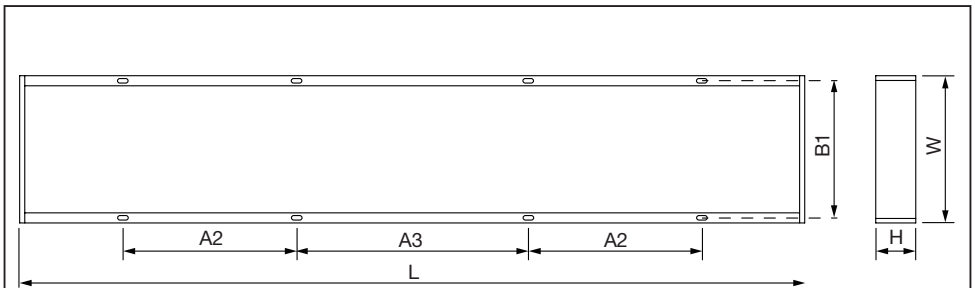
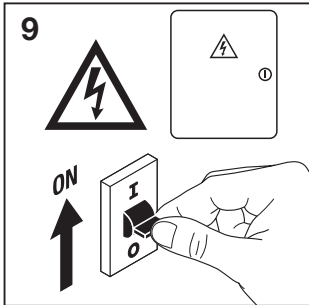
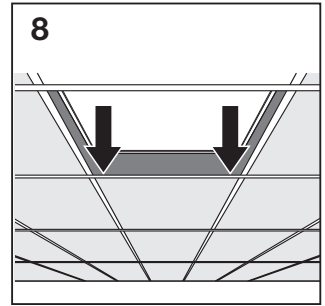
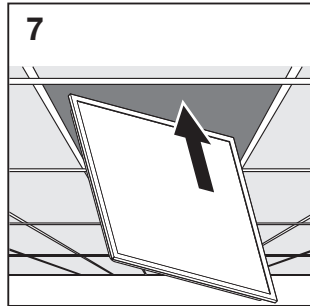
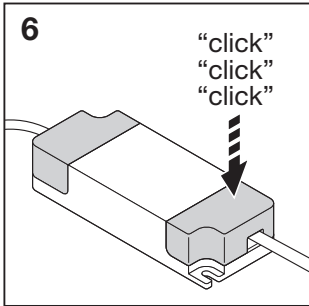



	EAN	l x w x h [mm]	W	V _{AC}	Hz	lm	lm/W	K
PL ECO HLO 600x300 E 17W 830	4099854602849	595 x 295 x 34	17	220-240	50/60	2040	120	3000K
PL ECO HLO 600x300 E 17W 840	4099854602863	595 x 295 x 34	17	220-240	50/60	2040	120	4000K
PL ECO HLO 600x300 E 17W 865	4099854602887	595 x 295 x 34	17	220-240	50/60	2040	120	6500K
PL ECO HLO 600x300 E 17W 830 U19	4099854602900	595 x 295 x 34	17	220-240	50/60	2040	120	3000K
PL ECO HLO 600x300 E 17W 840 U19	4099854602924	595 x 295 x 34	17	220-240	50/60	2040	120	4000K
PL ECO HLO 600x300 E 17W 865 U19	4099854602948	595 x 295 x 34	17	220-240	50/60	2040	120	6500K
PL ECO HLO 1200x300 E 34W 830	4099854603082	1195 x 295 x 34	34	220-240	50/60	3740	110	3000K
PL ECO HLO 1200x300 E 34W 840	4099854603105	1195 x 295 x 34	34	220-240	50/60	4080	120	4000K
PL ECO HLO 1200x300 E 34W 865	4099854603129	1195 x 295 x 34	34	220-240	50/60	4080	120	6500K
PL ECO HLO 1200x300 E 34W 830U19	4099854603143	1195 x 295 x 34	34	220-240	50/60	3740	110	3000K
PL ECO HLO 1200x300 E 34W 840U19	4099854603167	1195 x 295 x 34	34	220-240	50/60	4080	120	4000K
PL ECO HLO 1200x300 E 34W 865U19	4099854603181	1195 x 295 x 34	34	220-240	50/60	4080	120	6500K
PL ECO HLO 1200x300 E 40W 830	4099854603204	1195 x 295 x 34	40	220-240	50/60	4400	110	3000K
PL ECO HLO 1200x300 E 40W 840	4099854603228	1195 x 295 x 34	40	220-240	50/60	4800	120	4000K
PL ECO HLO 1200x300 E 40W 865	4099854603242	1195 x 295 x 34	40	220-240	50/60	4800	120	6500K
PL ECO HLO 1200x300 E 40W 830U19	4099854603266	1195 x 295 x 34	40	220-240	50/60	4400	110	3000K
PL ECO HLO 1200x300 E 40W 840U19	4099854603280	1195 x 295 x 34	40	220-240	50/60	4800	120	4000K
PL ECO HLO 1200x300 E 40W 865U19	4099854603303	1195 x 295 x 34	40	220-240	50/60	4800	120	6500K
PL ECO HLO 1200x600 E 68W 830	4099854603440	1195 x 595 x 34	68	220-240	50/60	7480	110	3000K
PL ECO HLO 1200x600 E 68W 840	4099854603464	1195 x 595 x 34	68	220-240	50/60	8160	120	4000K
PL ECO HLO 1200x600 E 68W 865	4099854603488	1195 x 595 x 34	68	220-240	50/60	8160	120	6500K
PL ECO HLO 1200x600 E 68W 830U19	4099854603501	1195 x 595 x 34	68	220-240	50/60	7480	110	3000K
PL ECO HLO 1200x600 E 68W 840U19	4099854603525	1195 x 595 x 34	68	220-240	50/60	8160	120	4000K
PL ECO HLO 1200x600 E 68W 865U19	4099854603549	1195 x 595 x 34	68	220-240	50/60	8160	120	6500K



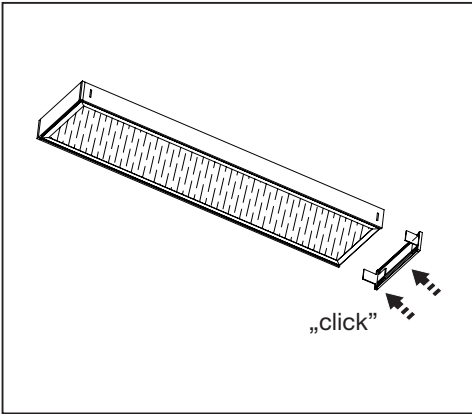
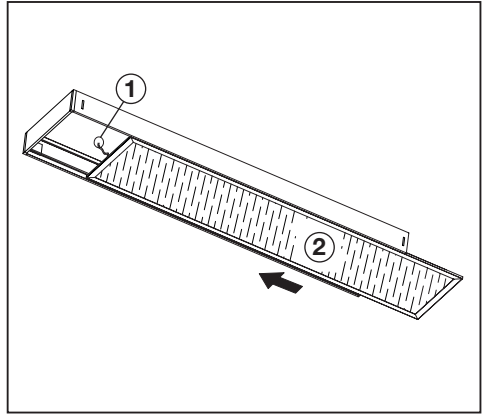
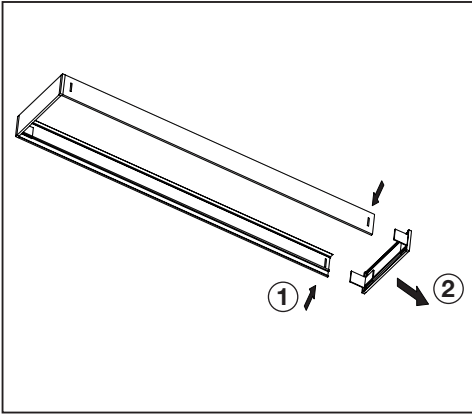
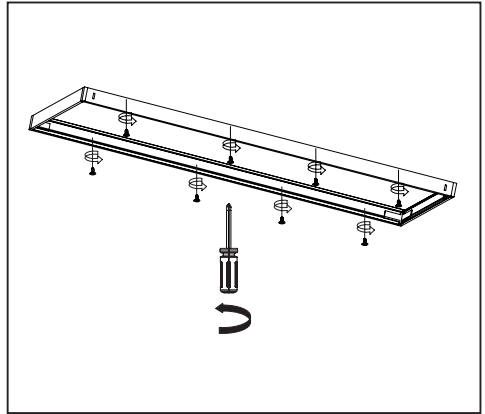
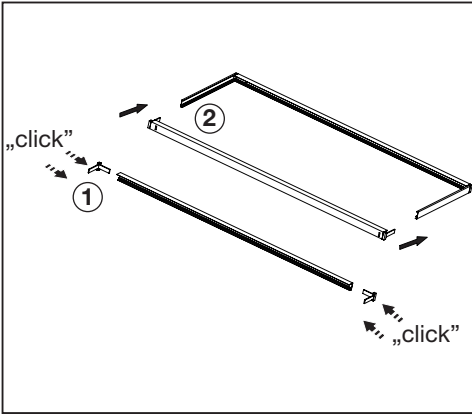
	EAN	IP	IK	∠	Ra	°(°C)	PF	👤
PL ECO HLO 600x300 E 17W 830	4099854602849	20	02	120	>80	0° .. +40°	>0.9	0,82kg
PL ECO HLO 600x300 E 17W 840	4099854602863	20	02	120	>80	0° .. +40°	>0.9	0,82kg
PL ECO HLO 600x300 E 17W 865	4099854602887	20	02	120	>80	0° .. +40°	>0.9	0,82kg
PL ECO HLO 600x300 E 17W 830 U19	4099854602900	20	02	90	>80	0° .. +40°	>0.9	0,82kg
PL ECO HLO 600x300 E 17W 840 U19	4099854602924	20	02	90	>80	0° .. +40°	>0.9	0,82kg
PL ECO HLO 600x300 E 17W 865 U19	4099854602948	20	02	90	>80	0° .. +40°	>0.9	0,82kg
PL ECO HLO 1200x300 E 34W 830	4099854603082	20	02	120	>80	0° .. +40°	>0.9	1,50kg
PL ECO HLO 1200x300 E 34W 840	4099854603105	20	02	120	>80	0° .. +40°	>0.9	1,50kg
PL ECO HLO 1200x300 E 34W 865	4099854603129	20	02	120	>80	0° .. +40°	>0.9	1,50kg
PL ECO HLO 1200x300 E 34W 830U19	4099854603143	20	02	90	>80	0° .. +40°	>0.9	1,57kg
PL ECO HLO 1200x300 E 34W 840U19	4099854603167	20	02	90	>80	0° .. +40°	>0.9	1,57kg
PL ECO HLO 1200x300 E 34W 865U19	4099854603181	20	02	90	>80	0° .. +40°	>0.9	1,57kg
PL ECO HLO 1200x300 E 40W 830	4099854603204	20	02	120	>80	0° .. +40°	>0.9	1,50kg
PL ECO HLO 1200x300 E 40W 840	4099854603228	20	02	120	>80	0° .. +40°	>0.9	1,50kg
PL ECO HLO 1200x300 E 40W 865	4099854603242	20	02	120	>80	0° .. +40°	>0.9	1,50kg
PL ECO HLO 1200x300 E 40W 830U19	4099854603266	20	02	90	>80	0° .. +40°	>0.9	1,57kg
PL ECO HLO 1200x300 E 40W 840U19	4099854603280	20	02	90	>80	0° .. +40°	>0.9	1,57kg
PL ECO HLO 1200x300 E 40W 865U19	4099854603303	20	02	90	>80	0° .. +40°	>0.9	1,57kg
PL ECO HLO 1200x600 E 68W 830	4099854603440	20	02	120	>80	0° .. +40°	>0.9	3,19kg
PL ECO HLO 1200x600 E 68W 840	4099854603464	20	02	120	>80	0° .. +40°	>0.9	3,19kg
PL ECO HLO 1200x600 E 68W 865	4099854603488	20	02	120	>80	0° .. +40°	>0.9	3,19kg
PL ECO HLO 1200x600 E 68W 830U19	4099854603501	20	02	90	>80	0° .. +40°	>0.9	3,30kg
PL ECO HLO 1200x600 E 68W 840U19	4099854603525	20	02	90	>80	0° .. +40°	>0.9	3,30kg
PL ECO HLO 1200x600 E 68W 865U19	4099854603549	20	02	90	>80	0° .. +40°	>0.9	3,30kg





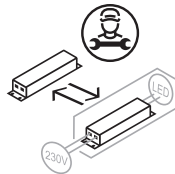
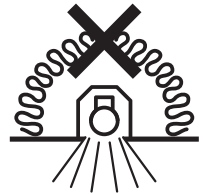
PL ECO 30x120 PL ECO 30x60
PL ECO 60x120

MODEL	L	W	A2	A3	B1	H
PL ECO HLO 600x300 E	600	300	-	317.2	271	63
PL ECO HLO 1200x300 E	1200	300	289	314.2	271	63
PL ECO HLO 1200x600 E	1200	600	289	314.2	571	63



	B10A	B16A	B25A	B32A	C10A	C16A	C25A	C32A
PL ECO HLO 600x300 E 17W PL ECO HLO 600x300 E 17W U19	n = 35	n = 44	n = 69	n = 89	n = 35	n = 56	n = 88	n = 112
PL ECO HLO 1200x300 E 34W PL ECO HLO 1200x300 E 34W U19	n = 19	n = 23	n = 36	n = 46	n = 19	n = 30	n = 47	n = 61
PL ECO HLO 1200x300 E 40W PL ECO HLO 1200x300 E 40W U19	n = 19	n = 23	n = 36	n = 46	n = 19	n = 30	n = 47	n = 61
PL ECO HLO 1200x600 E 68W PL ECO HLO 1200x600 E 68W U19	n = 6	n = 10	n = 16	n = 20	n = 7	n = 11	n = 17	n = 22

Model		
	Uout	Iout
PL ECO HLO 600x300 E 17W PL ECO HLO 600x300 E 17W U19	36-45V	380mA
PL ECO HLO 1200x300 E 34W PL ECO HLO 1200x300 E 34W U19	36-45V	745mA
PL ECO HLO 1200x300 E 40W PL ECO HLO 1200x300 E 40W U19	36-45V	875mA
PL ECO HLO 1200x600 E 68W PL ECO HLO 1200x600 E 68W U19	36-45V	1450mA



FR
Cet appareil, ses accessoires et son cordon, se recyclent

À DÉPOSER EN MAGASIN

OU

À DÉPOSER EN DÉCHÈTERIE

Points de collecte sur www.quefairedemesdechets.fr



C10449057
G11259081
29.10.25

LEDVANCE SASU
CQM, 5 rue d'Altorf
67120 Molsheim France
www.ledvance.com

© LEDVANCE Ltd, Sterling House, 810
Mandarin Court, Warrington, Cheshire,
WA1 1GG, United Kingdom